

# HY-BRID LIFTS™

BY CUSTOM EQUIPMENT LLC

## PARTS MANUAL

SELF-PROPELLED AERIAL WORK PLATFORM

SUPO-736

REV A



## HB-830 HB-830CE

SERIES I

Model HB-830 Serial # Ranges:

D310002-D310004

D03-10002-D03-19999

Model HB-830CE Serial # Ranges:

E310007-E310036

E03-10036-E03-10165



# TABLE OF CONTENTS

<b>NOTES</b> .....	<b>2</b>
<b>SERIAL NUMBER REFERENCE</b> .....	<b>3</b>
<b>TABLE OF CONTENTS</b> .....	<b>4</b>
<b>INDEX OF FIGURES</b> .....	<b>5</b>
<b>SECTION 1   BASE</b> .....	<b>6</b>
1.1   POTHOLE GUARD PARTS - ANSI.....	6
1.2   POTHOLE GUARD PARTS - CE.....	7
1.3   POTHOLE ACTUATOR SUBPARTS.....	8
1.4   CASTER PARTS.....	8
1.5   CASTER SUBPARTS.....	9
1.6   REAR WHEEL SUBPARTS.....	10
1.7   DRIVE PARTS.....	11
1.8   DRIVE SUBPARTS.....	12
1.9   BRAKE SUBPARTS.....	14
1.10   PUMP PARTS.....	15
1.11   PUMP SUBPARTS.....	16
1.12   MISCELLANEOUS BASE PARTS.....	18
<b>SECTION 2   CONTROLS</b> .....	<b>20</b>
2.1   ELECTRICAL PARTS - ANSI.....	20
2.2   ELECTRICAL PARTS - CE.....	21
2.3   UPPER CONTROL PARTS - ANSI.....	22
2.4   UPPER CONTROL PARTS - CE.....	23
2.5   LOWER CONTROL PARTS - ANSI.....	24
2.6   LOWER CONTROL PARTS - CE.....	25
2.7   MAIN CABLE SUBPARTS.....	26
2.8   DRIVE ENABLE SWITCH SUBPARTS.....	26
2.9   ELEVATE ENABLE SWITCH SUBPARTS.....	27
2.10   E-STOP SWITCH SUBPARTS.....	27
2.11   MASTER POWER SWITCH SUBPARTS.....	28
2.12   HORN SWITCH SUBPARTS.....	28
2.13   JOYSTICK SUBPARTS.....	29
2.14   KEY SWITCH SUBPARTS.....	29
<b>SECTION 3   SCISSORS</b> .....	<b>30</b>
3.1   SCISSORS PARTS.....	30
3.2   CYLINDER SUBPARTS - ANSI.....	32
3.3   CYLINDER SUBPARTS - CE.....	33
<b>SECTION 4   PLATFORM &amp; RAILS</b> .....	<b>34</b>
<b>SECTION 5   DECALS</b> .....	<b>36</b>
5.1   DECALS - ANSI.....	36
5.2   DECALS - CE.....	38
<b>SECTION 6   OPTIONS &amp; MISCELLANEOUS</b> .....	<b>42</b>

# INDEX OF FIGURES

FIGURE 1: Pothole Guard Parts - ANSI.....	6
FIGURE 2: Pothole Guard Parts - CE.....	7
FIGURE 3: Pothole Actuator Subparts.....	8
FIGURE 4: Caster Parts.....	8
FIGURE 5: Caster Subparts.....	9
FIGURE 6: Rear Wheel Subparts.....	10
FIGURE 7: Drive Parts.....	11
FIGURE 8: Drive Subparts.....	12
FIGURE 9: Brake Subparts.....	14
FIGURE 10: Pump Parts.....	15
FIGURE 11: Pump Subparts.....	16
FIGURE 12: Miscellaneous Parts.....	18
FIGURE 13: Electrical Parts - ANSI.....	20
FIGURE 14: Electrical Parts - CE.....	21
FIGURE 15: Upper Control Parts - ANSI.....	22
FIGURE 16: Upper Control Parts - CE.....	23
FIGURE 17: Lower Control Parts - ANSI.....	24
FIGURE 18: Lower Control Parts - CE.....	25
FIGURE 19: Main Cable Subparts.....	26
FIGURE 20: Drive Enable Switch Subparts.....	26
FIGURE 21: Elevate Enable Switch Subparts.....	27
FIGURE 22: E-Stop Switch Subparts.....	27
FIGURE 23: Master Power Switch Subparts.....	28
FIGURE 24: Horn Switch Subparts.....	28
FIGURE 25: Joystick Subparts.....	29
FIGURE 26: Key Switch Subparts.....	29
FIGURE 27: Scissors Parts.....	30
FIGURE 28: Cylinder Subparts - ANSI.....	32
FIGURE 29: Cylinder Subparts - CE.....	33
FIGURE 30: Platform & Rails.....	34
FIGURE 31: Decals - ANSI.....	36
FIGURE 32: Decals - CE.....	40
FIGURE 33: Options & Miscellaneous.....	44

1.1 | POTHOLE GUARD PARTS - ANSI

ANSI

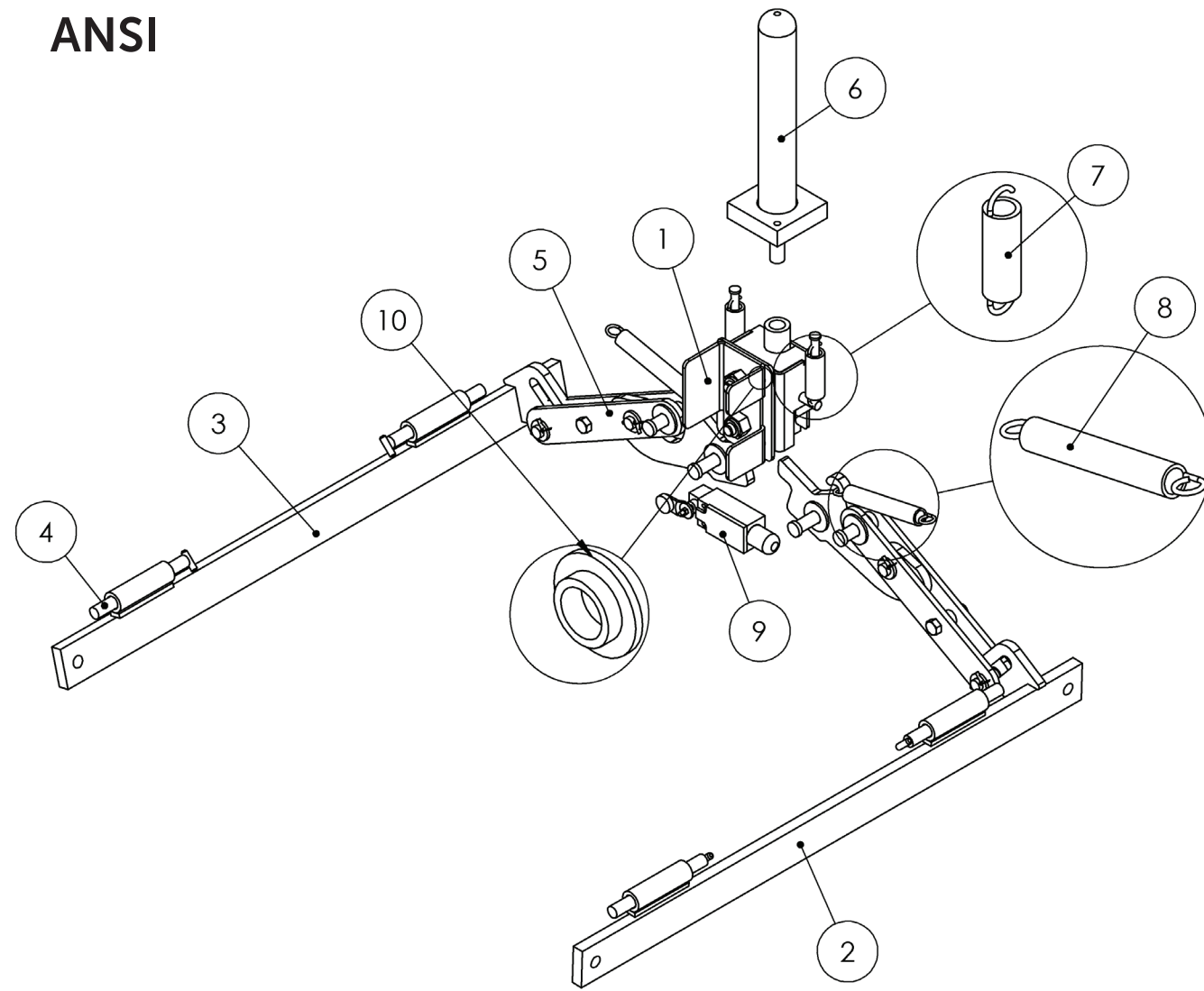


FIGURE 1: Pothole Guard Parts - ANSI

Item #	Part Number	Part Description	Note	Qty	Superseded By
1	1002100192-KIT	ASM,BASE PH LOCK		1	
2	1000101616	BASE,PH BAR L (HBS)		1	
3	1000101716	BASE,PH BAR R (HBS)		1	
4	RND-HB-002-P	PIN,HINGE,0.50,5.0		4	
5	1002100191-KIT	ASM,BASE PH ARMS		1	
6	1002100197-KIT	ASM,BASE PH ACT		1	
7	HARD-702	SPRING,EXT 3X.75,OD		1	
8	HARD-701	SPRING,EXT 5.5X.69,OD		1	
9	ELEC-123-5	SWITCH,LIMIT,ROT LVR,NO/NC PO		1	
10	HARD-626	0.38X0.50X0.19 SLD WASH,NYL W		1	HARD-626-3
10	HARD-626-3	0.38X0.50C.0.19 SHLD WASH,NYL B		1	

1.2 | POTHOLE GUARD PARTS - CE

CE

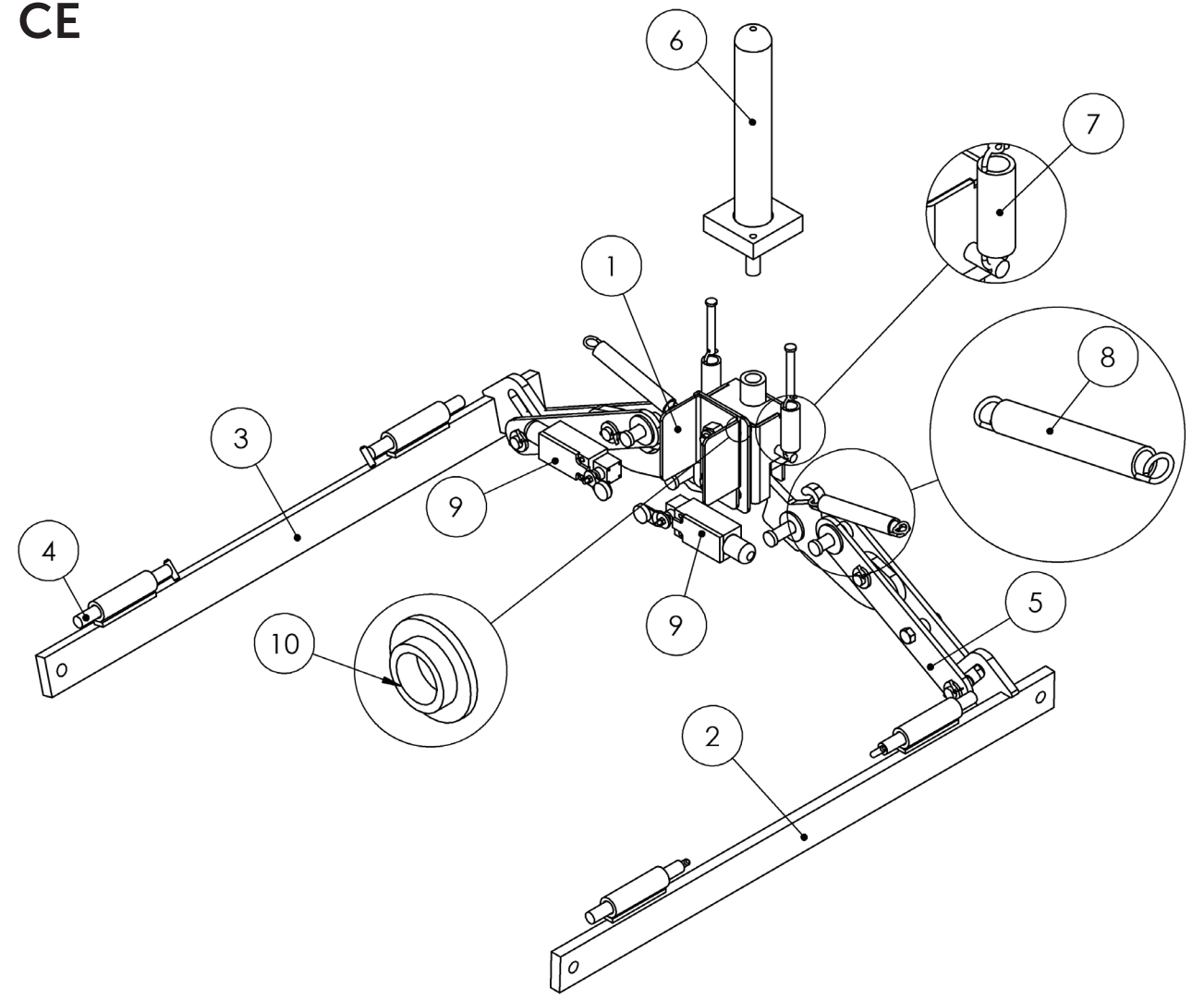


FIGURE 2: Pothole Guard Parts - CE

Item #	Part Number	Part Description	Note	Qty	Superseded By
1	1002100180-KIT	ASM,BASE PH LOCK CE		1	
2	1000101616	BASE,PH BAR L (HBS)		1	
3	1000101716	BASE,PH BAR R (HBS)		1	
4	RND-HB-002-P	PIN,HINGE,0.50,5.0		4	
5	1002100191-KIT	ASM,BASE PH ARMS		1	
6	1002100197-KIT	ASM,BASE PH ACT		1	
7	HARD-702	SPRING,EXT 3X.75,OD		1	
8	HARD-701	SPRING,EXT 5.5X.69,OD		1	
9	ELEC-123-5	SWITCH,LIMIT,ROT LVR,NO/NC PO		2	
10	HARD-626	0.38X0.50X0.19 SLD WASH,NYL W		1	HARD-626-3
10	HARD-626-3	0.38X0.50C.0.19 SHLD WASH,NYL B		1	

1.3 | POTHOLE ACTUATOR SUBPARTS

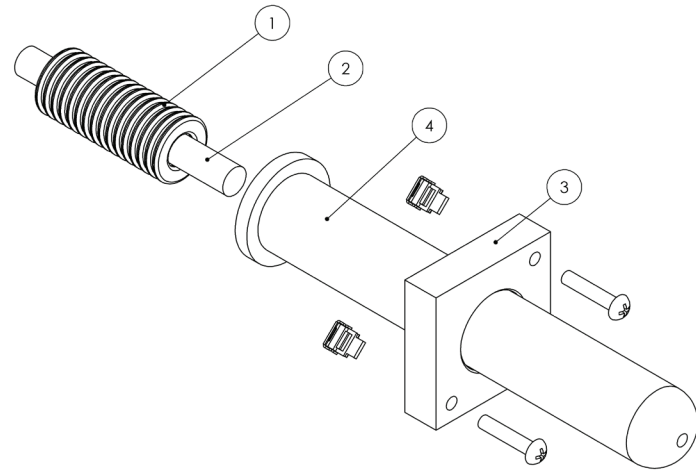


FIGURE 3: Pothole Actuator Subparts

Item #	Part Number	Part Description	Note	Qty	Superseded By
1	HARD-654	SPRING,COMP,3 X 1.25,OD		1	
2	HB-M220-P	PH PLUNGER ROD		1	
3	HB-PH-13	BASE,PH GUIDE BLOCK-1.5 ID		1	
4	1000102004	BASE,PH RET SLEEVE		1	

1.4 | CASTER PARTS

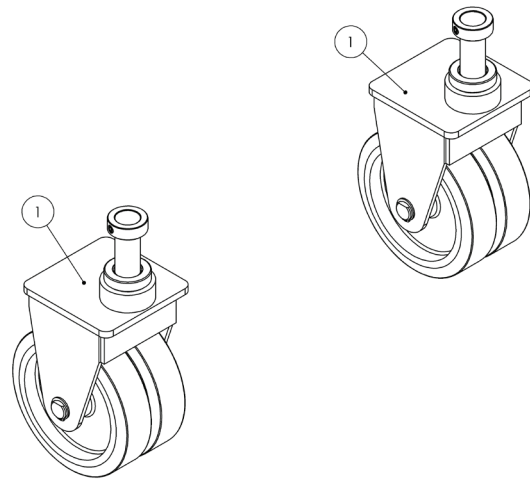


FIGURE 4: Caster Parts

Item #	Part Number	Part Description	Note	Qty	Superseded By
1	1002100184-KIT	ASM,BASE CASTERS FRONT		2	

1.5 | CASTER SUBPARTS

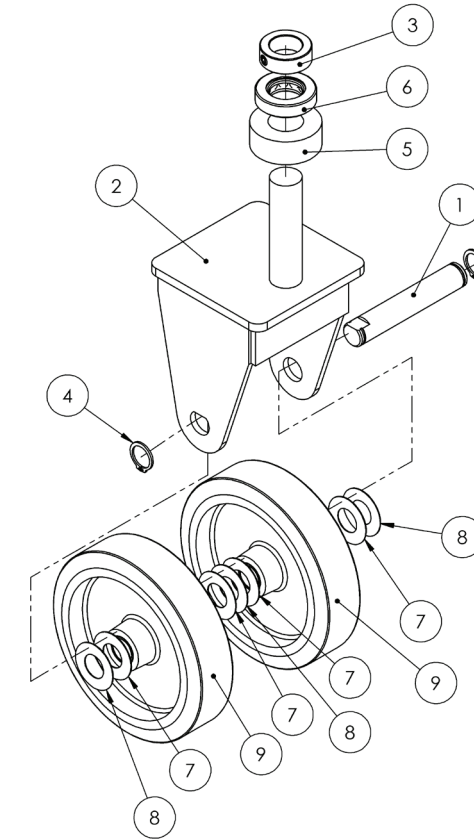


FIGURE 5: Caster Subparts

Item #	Part Number	Part Description	Note	Qty	Superseded By
1	1000105302	BASE,CASTER PIN		1	
2	1000104902	BASE,CASTER	Superseded;	1	1000108202
2	1000108202	BASE,CASTER		1	
3	1021000102	SET COLLAR,1.25 ID		1	
4	HARD-021	1.00 RETAINING RING,EXT		2	
5	HARD-615-3	1.36X2.75X1.06 THRUST WASH,HMW		1	
6	HARD-713	BEARING,1.25ID,2.34OD,0.63THK		1	
7	WHEE-609-P	1.02X2.00X0.03 WASH,P		4	
8	WHEE-609-SS	1.02X2.00X0.03 WASH,S		3	
9	WHEE-706-KIT	WHL,8X2,GREY NM BORE 1.25		2	

1.6 | REAR WHEEL SUBPARTS

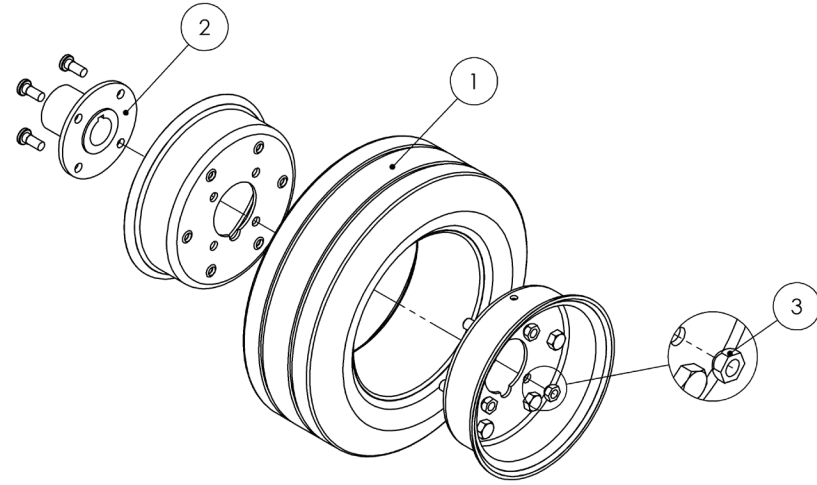


FIGURE 6: Rear Wheel Subparts

Item #	Part Number	Part Description	Note	Qty	Superseded By
1	WHEE-705	WHL,10X4,SOLID TIRE		1	
2	WHEE-709	HUB,KEYWAY 1.0,2.0,CUSTOM		1	
3	WHEE-712	WHL,LUG NUT 5/16-24		4	

1.7 | DRIVE PARTS

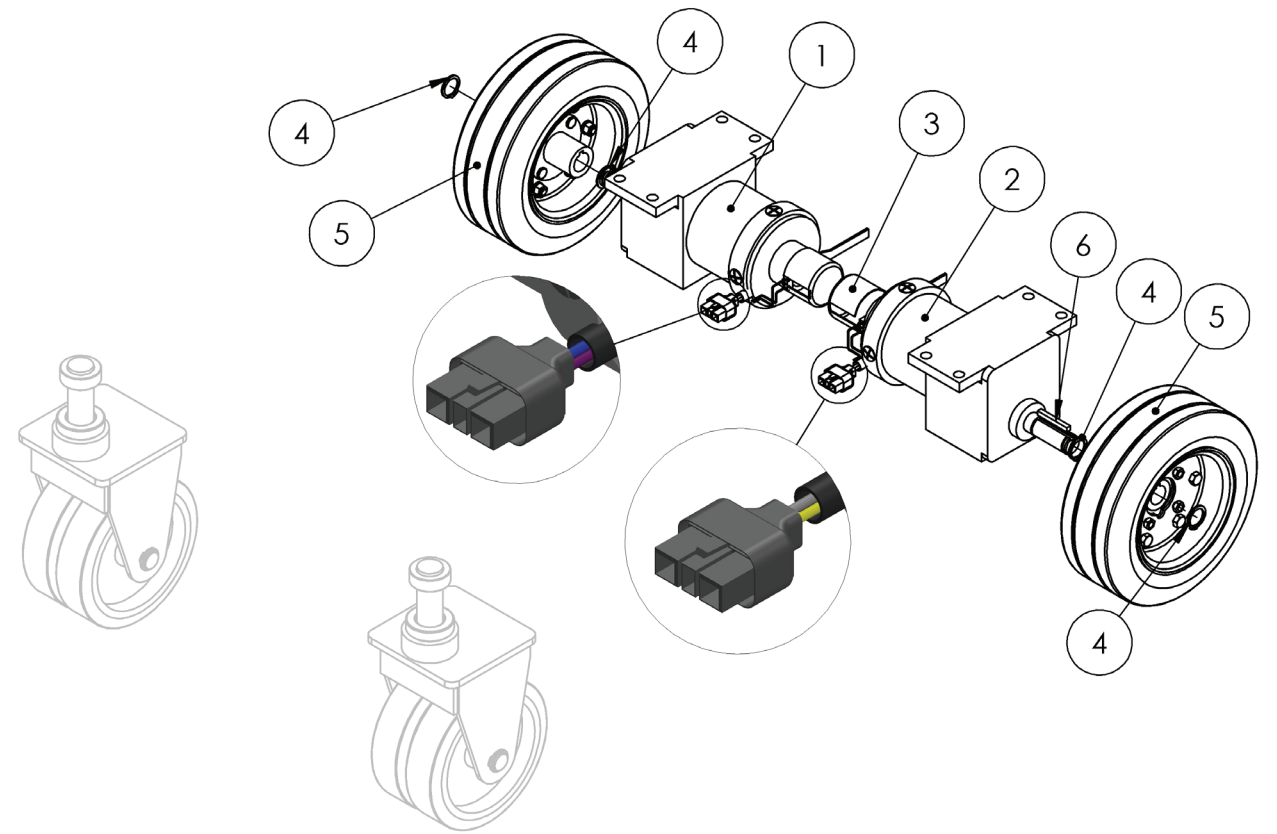


FIGURE 7: Drive Parts

Item #	Part Number	Part Description	Note	Qty	Superseded By
1	ELEC-823-3R-KIT	DRIVE MOTOR,24V ELE,R,W/SHARK		1	
2	ELEC-826-3L-KIT	DRIVE MOTOR,24V ELE,L,W/SHARK		1	
3	ELEC-627-COVER	COVER,VINYL		2	
4	HARD-021	1.00 RETAINING RING,EXT		4	
5	WHEE-707-KIT	WHEEL,10X4 W/HUB KW 1.0		2	
6	HARD-157	0.25X0.25X2.00 KEY		2	

1.8 | DRIVE SUBPARTS

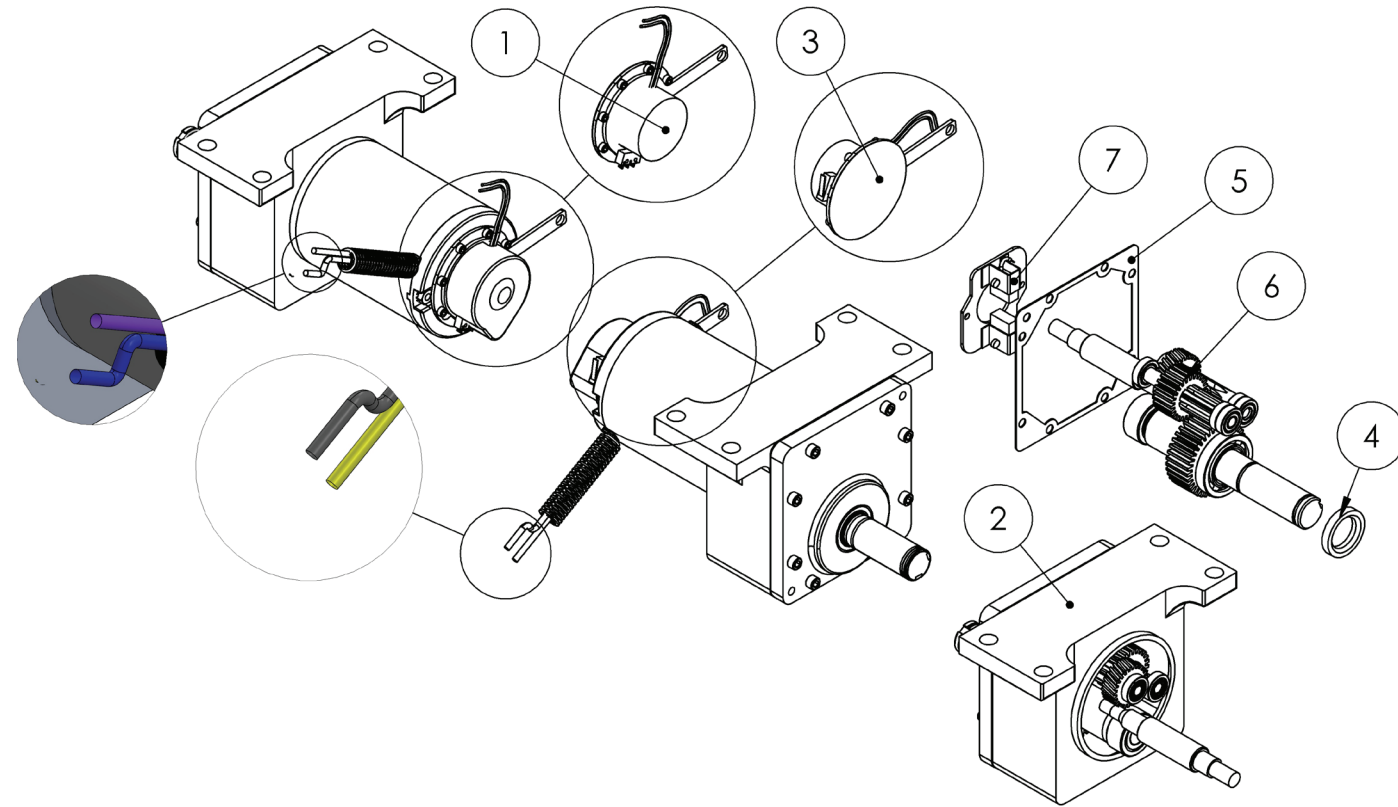
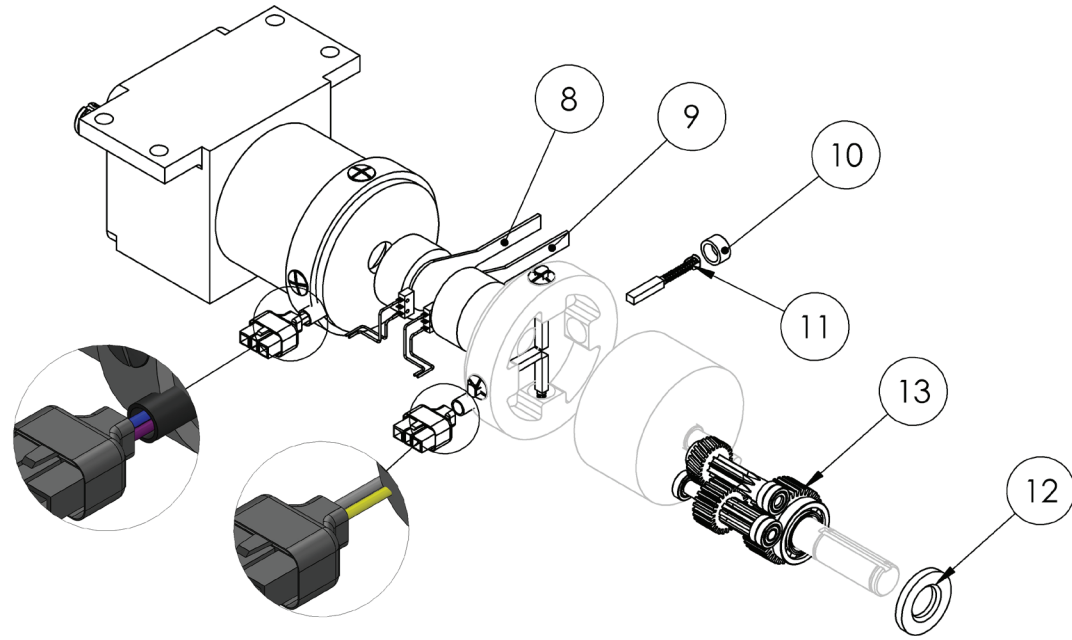


FIGURE 8: Drive Subparts

Item #	Part Number	Part Description	Note	Qty	Superseded By
1	ELEC-627-5R	DRIVE MOTOR,BRAKE	DUMORE: HOUSING ALL SILVER	1	
2	ELEC-626-4C	DRIVE MOTOR GEARBOX,DUM	DUMORE: HOUSING ALL SILVER	1	
3	ELEC-627-5L	DRIVE MOTOR,BRAKE	DUMORE: HOUSING ALL SILVER	1	
4	ELEC-626-4A	DRIVE MOTOR SHAFT SEAL,DUM	DUMORE: HOUSING ALL SILVER	1	
5	ELEC-626-4B	DRIVE MOTOR HOUSING GASKET,DUM	DUMORE: HOUSING ALL SILVER	1	
6	ELEC-626-4G	DRIVE MOTOR GEARS,HB,DUM	DUMORE: HOUSING ALL SILVER	1	
7	ELEC-626-4BRUSH	BRUSH KIT,DUMORE	DUMORE: HOUSING ALL SILVER	1	
8	ELEC-627-3R	DRIVE MOTOR BRAKE R,HB,EUC	EUCLID: HOUSING WITH BLACK STRIP	1	
9	ELEC-627-3L	DRIVE MOTOR BRAKE L,HB,EUC	EUCLID: HOUSING WITH BLACK STRIP	1	
10	ELEC-626-BRSHCP	DRIVE MOTOR BRUSH CAP	EUCLID: HOUSING WITH BLACK STRIP	4	
11	ELEC-626-BRUSH	DRIVE MOTOR BRUSHES	EUCLID: HOUSING WITH BLACK STRIP	4	
12	ELEC-626-3A	DRIVE MOTOR SHAFT SEAL,EUC	EUCLID: HOUSING WITH BLACK STRIP	1	
13	ELEC-626-G	DRIVE MOTOR GEARS,HB,EUC	EUCLID: HOUSING WITH BLACK STRIP	1	

1.9 | BRAKE SUBPARTS

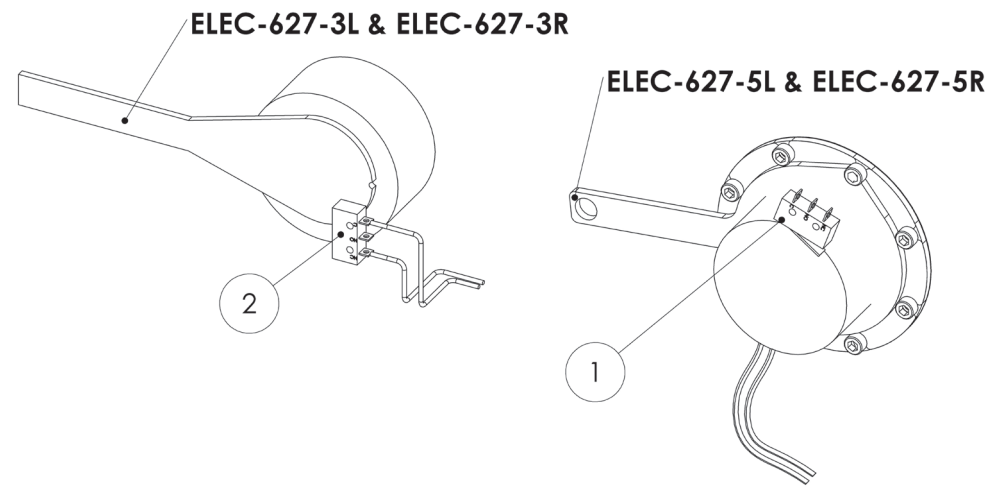


FIGURE 9: Brake Subparts

Item #	Part Number	Part Description	Note	Qty	Superseded By
1	ELEC-126-7-KIT	SWITCH,LIMIT,STRAIGHT LVR MICR	DUMORE: HOUSING ALL SILVER		
2	ELEC-627-4-KIT	SWITCH,LIMIT,BUTTON MICRO	EUCLID: HOUSING WITH BLACK STRIP		

1.10 | PUMP PARTS

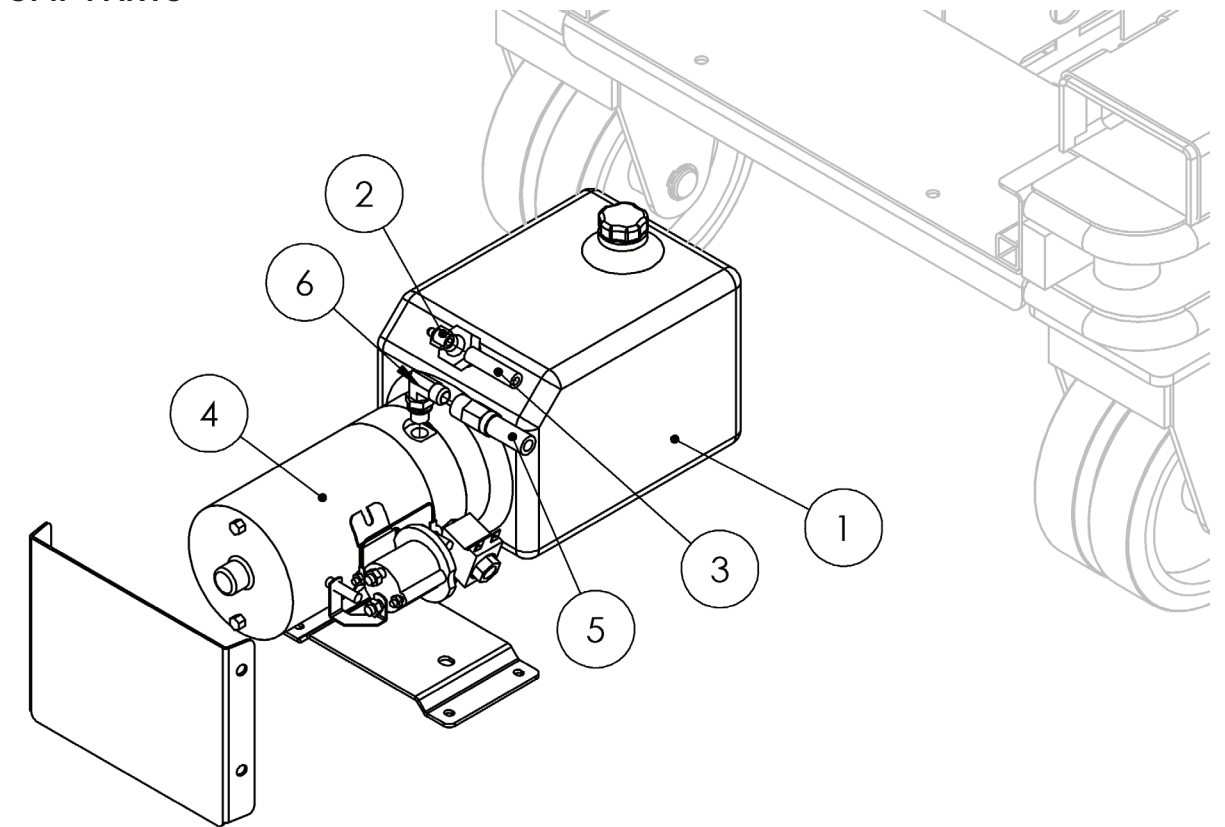


FIGURE 10: Pump Parts

Item #	Part Number	Part Description	Note	Qty	Superseded By
1	HYDR-032	HYDRAULIC OIL	Not available as a replacement part. Replace with Flomite 150, Dexron II, Mobil-DTE 2 or equivalent 32 weight implement oil.	1	
2	HYDR-019	FITTING,ELB,NPTM 3/8-1/4 PUSH		1	
3	HYDR-022-3	LOW PRESSURE HOSE	Quantity in inches	86	
4	HYDR-050-3	PUMP,24VDC,0.073,1.15,NA		1	
5	HYDR-600-5	HOSE ASM,PRECUT 8FT3X		1	
6	HYDR-035	FITTING,ELB,JICM9/16-SAEORM#6		1	



1.11 | PUMP SUBPARTS

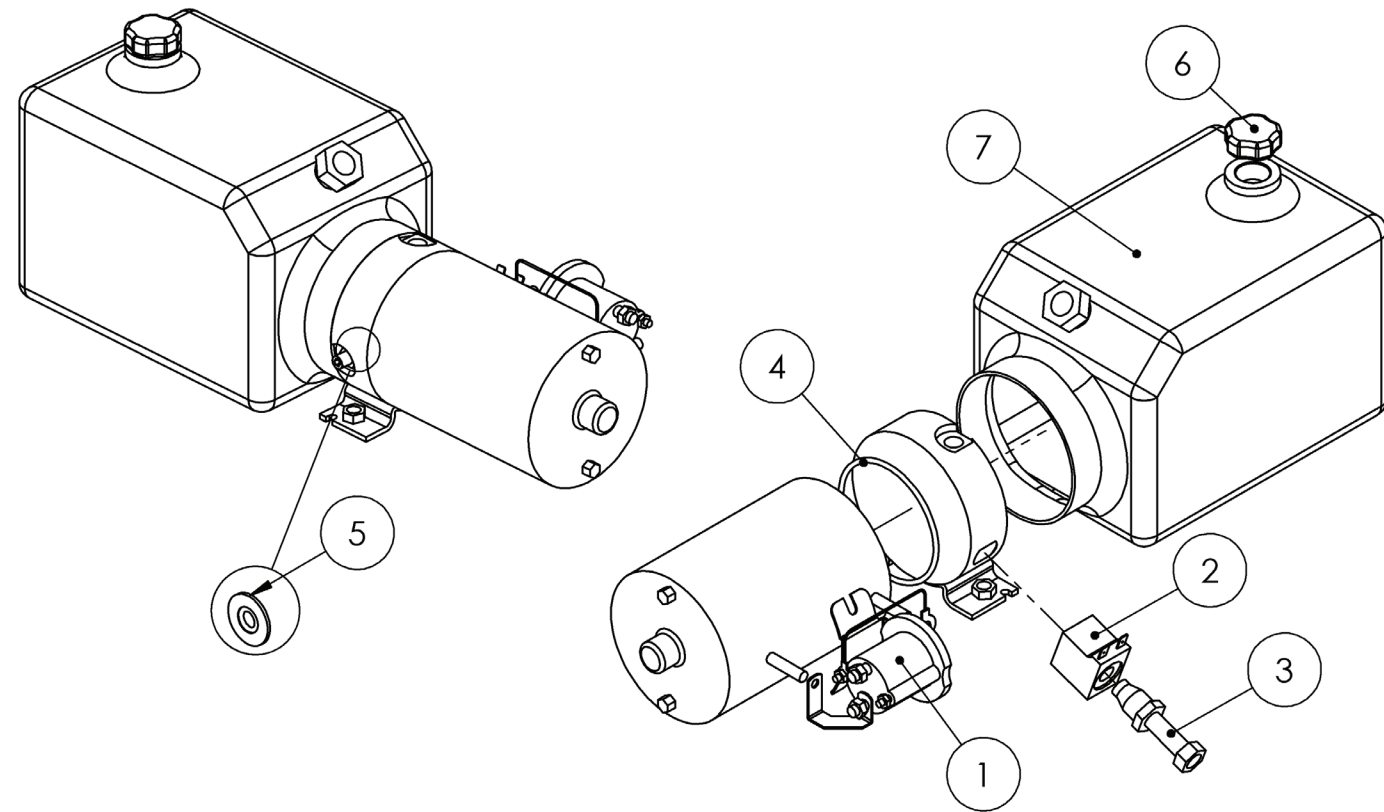
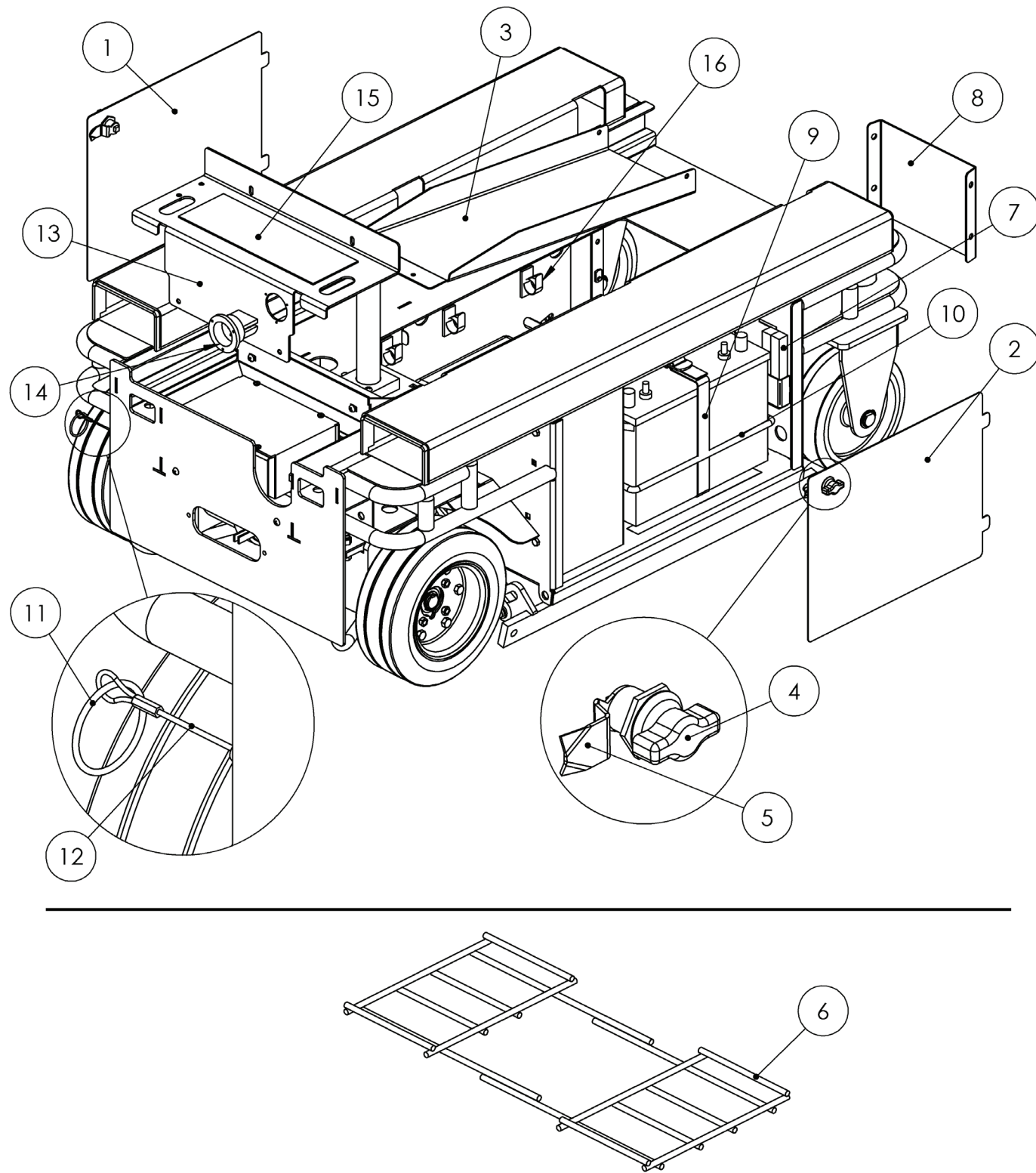


FIGURE 11: Pump Subparts

Item #	Part Number	Part Description	Note	Qty	Superseded By
1	HYDR-666-1	SOLENOID,24V,ISOLATED,SPST		1	
2	HYDR-664	COIL,18V		1	
3	HYDR-665	VALVE,NO,2W/2P,#8,UP		1	
4	HYDR-068	PUMP RESERVOIR O-RING		1	
5	HYDR-667	WASH,0.38 ID,0.75 OD,PRES SEAL		1	
6	HYDR-042	PUMP RESERVOIR CAP		1	
7	HYDR-067	PUMP RESERVOIR,1.15 GAL		1	

THIS PAGE WAS INTENTIONALLY LEFT BLANK

1.12 | MISCELLANEOUS BASE PARTS



Item #	Part Number	Part Description	Note	Qty	Superseded By
1	1000501001-KITL	COVER,SIDE,L		1	
2	1000501001-KITR	COVER,SIDE,R		1	
3	1000500901	COVER,PUMP TOP		1	
4	HARD-633B	CABINET LATCH HANDLE		2	
5	HARD-633C	0.23 CAM,CABINET LATCH		2	
6	HB-0001-P	BASE,BATT TRAY	D310002-D310004; D03-10002-D03-10076 E310007-E310036; E03-10036-E03-10149	2	
7	HB-M215-P	MAINT LOCK PIN (SQUARE)		2	
8	1000500601	COVER,PUMP END		1	
9	HARD-054	BATTERY STRAP/BUCKLE		2	
10	1020123502	BASE,BATT TRAY	D03-10076-D03-10091; E03-10073-E03-10065	2	
11	HARD-651	1.40 ID,RING		1	
12	HARD-644	LOW FRICTION CABLE, 70/80		1	
13	1000103001	BASE,STEP		1	
14	ELEC-831	PLUG,POWER PORT		1	
15	MISC-031-02-KIT	ANTI-SLIP TAPE,4.00,12.00 LENG		1	
16	HARD-718	1.00 CABLE CLIP	D03-10076-D03-10091; E03-10073-E03-10065	5	

FIGURE 12: Miscellaneous Parts

## 2.1 | ELECTRICAL PARTS - ANSI

### ANSI

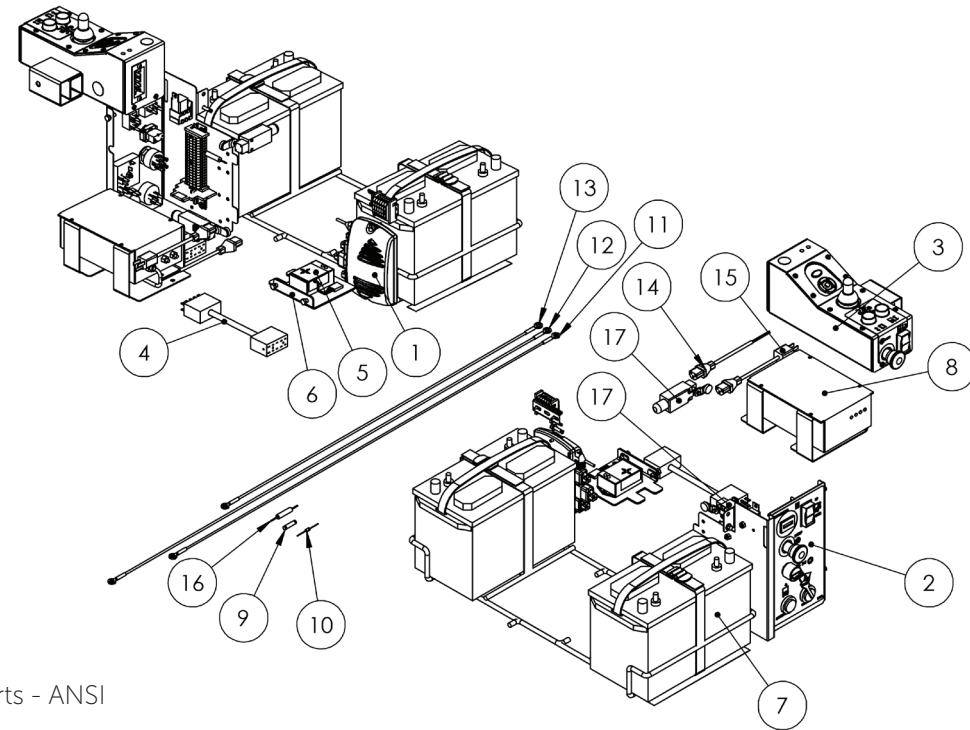


FIGURE 13: Electrical Parts - ANSI

Item #	Part Number	Part Description	Note	Qty	Superseded By
1	1000106551	BOARD,DRIVE CTL (HBS)		1	
2	1002101050	ASM,CTL LWR HB-830S1		1	
3	1002101350	ASM,CTL UPR,HB-830S1		1	
4	SUB A13	CTL,WIRE HARNESS,MAIN 10C/21FT		1	
5	ELEC-629	SENSOR,TILT 1.5X-2.0Y NO		1	
6	1000103616	BASE,TILT SENSOR SHELF		1	
7	N/A	BATTERY,12V,GR27 DEEP CYCLE	NOT SOLD FOR REPLACEMENT. REPLACE WITH GROUP 27, 12-VOLT DEEP CYCLE OR AGM BATTERY WEIGHING AT LEAST 45 LB.	2	
8	ELEC-645	CHARGER, 24V		1	
9	ELEC-670-2	FUSE 20 AMP AGC		1	
10	ELEC-688	DIODE TVS 1.5KE		1	
11	1002101597	CABLE,6GA,RED,44,R/R,..38 EYES		1	
12	ELEC-641C	CABLE,6GA,RED,50,B/R		1	
13	1002101650	CABLE,6GA,BLACK,36,B/B		1	
14	ELEC-636-6	CORD,IEC AC WIRE/IEC C13,12.0		1	
15	ELEC-639-1	CORD,NEMA 515/IEC C13,12.0		1	
16	ELEC-809	RESISTOR,120 OHM		1	
17	ELEC-123-5	SWITCH,LIMIT,ROT LVR,NO/NC PO		2	
18	WD-1002100183	WD,HB-830 S1	WIRING DIAGRAM	1	
19	WS-1002100183	ELEC SCH,HB-830 S1	ELECTRICAL SCHEMATIC	1	

## 2.2 | ELECTRICAL PARTS - CE

### CE

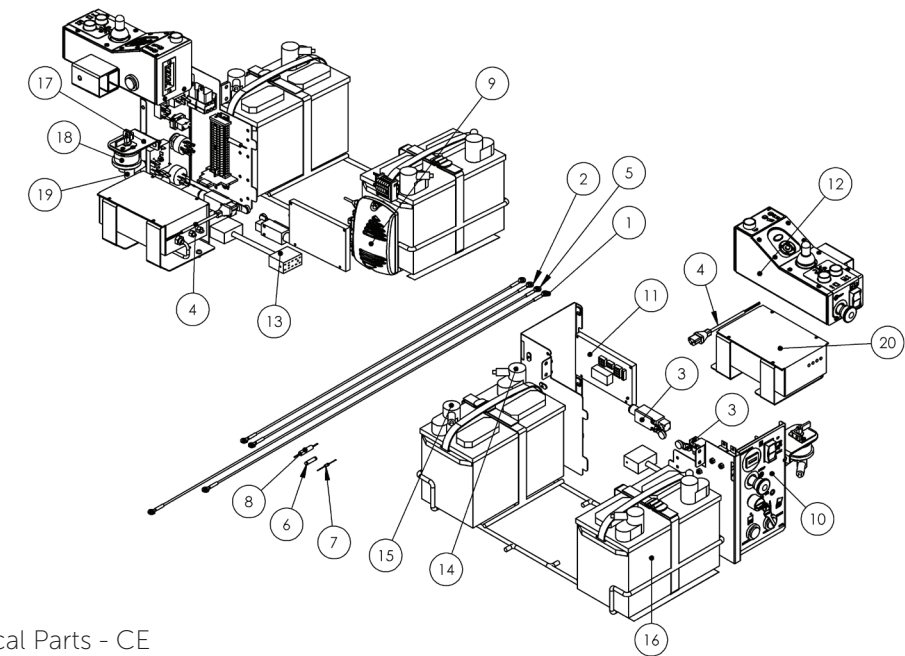


FIGURE 14: Electrical Parts - CE

Item #	Part Number	Part Description	Note	Qty	Superseded By
1	1002101597	CABLE,6GA,RED,44,R/R,..38 EYES		1	
2	1002101650	CABLE,6GA,BLACK,36,B/B		2	
3	ELEC-123-5	SWITCH,LIMIT,ROT LVR,NO/NC PO		2	
4	ELEC-636-6	CORD,IEC AC WIRE/IEC C13,12.0		1	
5	ELEC-641C	CABLE,6GA,RED,50,B/R		1	
6	ELEC-670-2	FUSE 20 AMP AGC		1	
7	ELEC-688	DIODE TVS 1.5KE		1	
8	ELEC-809	RESISTOR,120 OHM		1	
9	1000106550	BOARD,DRIVE CTL (HBS)		1	
10	1002101051	ASM,CTL LWR,HB-830CE S1		1	
11	1000106450	BOARD,LOAD CTL,HB-830CES1		1	
12	1002101351	ASM,CTL UPR,HB-830CES1		1	
13	SUB A13	CTL,WIRE HARNESS,MAIN 10C/21FT		1	
14	ELEC-634A	BATTERY BOOT (RED)		2	
15	ELEC-634B	BATTERY BOOT (BLACK)		2	
16	N/A	BATTERY,12V,GR27 DEEP CYCLE	NOT SOLD FOR REPLACEMENT. REPLACE WITH GROUP 27, 12-VOLT DEEP CYCLE OR AGM BATTERY WEIGHING AT LEAST 45 LB.	2	
17	LAS-M142-EC	BASE, BATT SWITCH BRKT		1	
18	ELEC-633-KIT	SWITCH,MASTER DISCONNECT		1	
19	ELEC-634D	TERMINAL BOOT (BLACK)		2	
20	ELEC-645	CHARGER, 24V		1	
21	WD-1002100194	WD,HB-830CE S1	WIRING DIAGRAM	1	
22	WS-1002100194	ELEC SCH,HB-830CE S1	ELECTRICAL SCHEMATIC	1	

2.3 | UPPER CONTROL PARTS - ANSI

ANSI

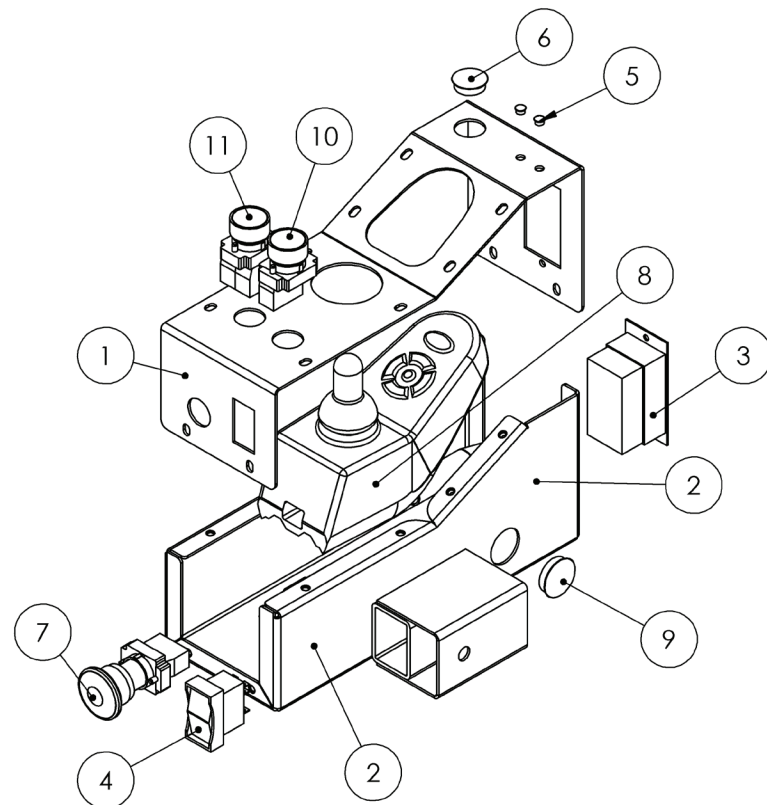


FIGURE 15: Upper Control Parts - ANSI

Item #	Part Number	Part Description	Note	Qty	Superseded By
1	1000304317	RAIL,CONTROL PLATE TOP		1	
2	1000304817	RAIL,CONTROL BOX WLDMNT		1	
3	ELEC-620	PLUG,10C,PANEL MNT		1	
4	ELEC-133B	SWITCH,ROCKER DPDT		1	
5	HARD-705	PLUG,0.25 DIA, BLACK		2	
6	HARD-706	PLUG,0.88 DIA,BLACK		1	
7	ELEC-071-KIT	BUTTON,PUSH/PULL RED E-STOP		1	
8	ELEC-551	JOYSTICK,SHARK DRIVE ONLY		1	
9	HARD-726	PLUG,1.09 DIA,BLACK		1	
10	ELEC-602-KIT	BUTTON,PUSH GREEN,NO		1	
11	ELEC-602D-KIT	BUTTON,PUSH GREEN,NC/NC		1	
12	WD-1002101350	WD,UPR CTL,HB-830 S1	WIRING DIAGRAM	1	

2.4 | UPPER CONTROL PARTS - CE

CE

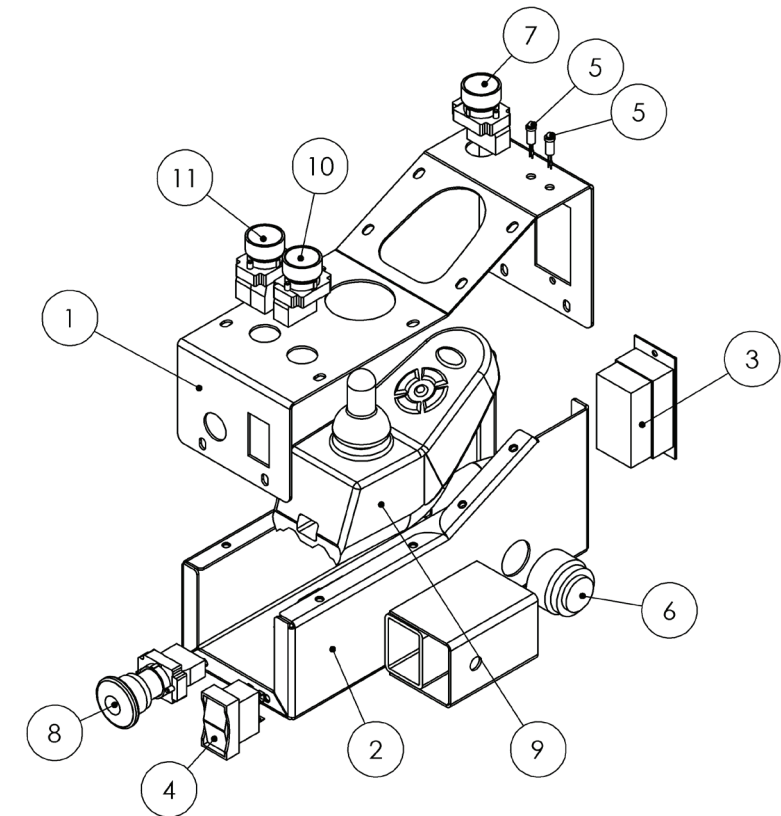


FIGURE 16: Upper Control Parts - CE

Item #	Part Number	Part Description	Note	Qty	Superseded By
1	1000304317	RAIL,CONTROL PLATE TOP		1	
2	1000304817	RAIL,CONTROL BOX WLDMNT		1	
3	ELEC-620	PLUG,10C,PANEL MNT		1	
4	ELEC-133B	SWITCH,ROCKER DPDT		1	
5	ELEC-636	LED, RED		2	
6	ELEC-635-4	ALARM, CONTINUOUS		1	
7	ELEC-604	BUTTON,PUSH BLACK		1	
8	ELEC-071-KIT	BUTTON,PUSH/PULL RED E-STOP		1	
9	ELEC-551	JOYSTICK,SHARK DRIVE ONLY		1	
10	ELEC-602-KIT	BUTTON,PUSH GREEN,NO		1	
11	ELEC-602D-KIT	BUTTON,PUSH GREEN,NC/NC		1	
12	WD-1002101351	WD,UPR CTL,HB-830CE S1	WIRING DIAGRAM	1	

2.5 | LOWER CONTROL PARTS - ANSI

ANSI

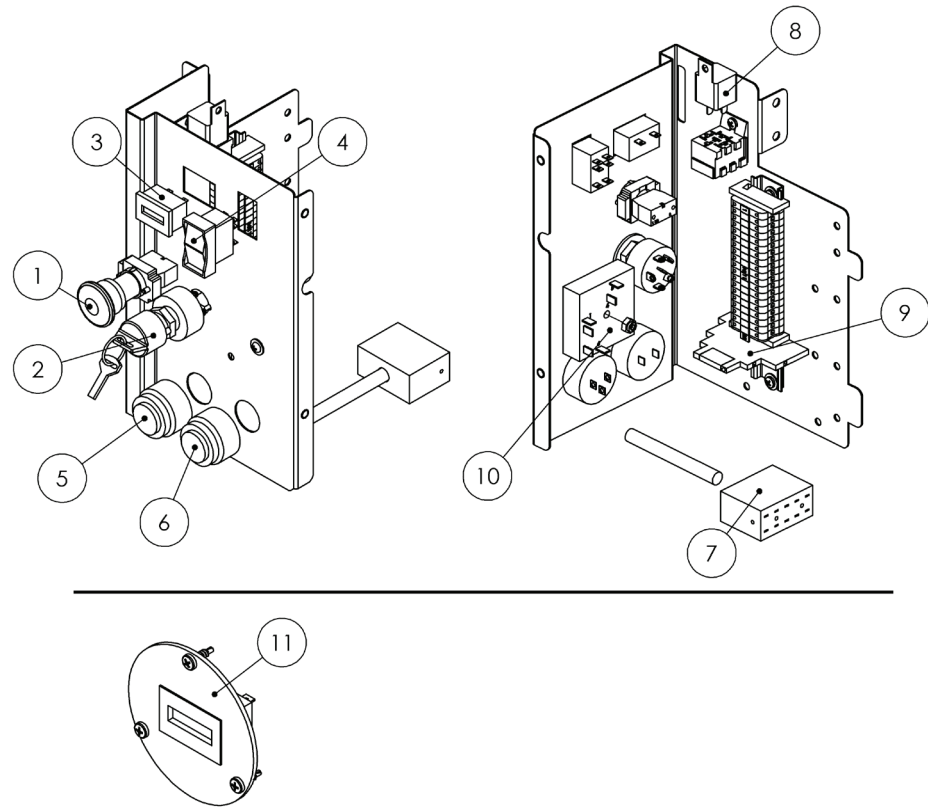


FIGURE 17: Lower Control Parts - ANSI

Item #	Part Number	Part Description	Note	Qty	Superseded By
1	ELEC-071-KIT	BUTTON,PUSH/PULL RED E-STOP		1	
2	ELEC-073E	SWITCH,KEY		1	
3	ELEC-610-2	METER,HOUR		1	
4	ELEC-133B	SWITCH,ROCKER DPDT		1	
5	ELEC-635	ALARM,SLOW PULSE		1	
6	ELEC-635-3	ALARM DUAL MODE		1	
7	ELEC-621	SOCKET,10C,CABLE MNT		1	
8	ELEC-631	RELAY,SPDT,ICE CUBE,24V DC		1	
9	ELEC-816	RELAY,TIME DELAY,SPDT,DIN MNT		1	
10	ELEC-819	RELAY,TIMER SLEEP		1	
11	ELEC-610-1-KIT	METER,HOUR		1	
12	WD-1002101050	WD,LWR CTL,HB-830 S1	WIRING DIAGRAM	1	

2.6 | LOWER CONTROL PARTS - CE

CE

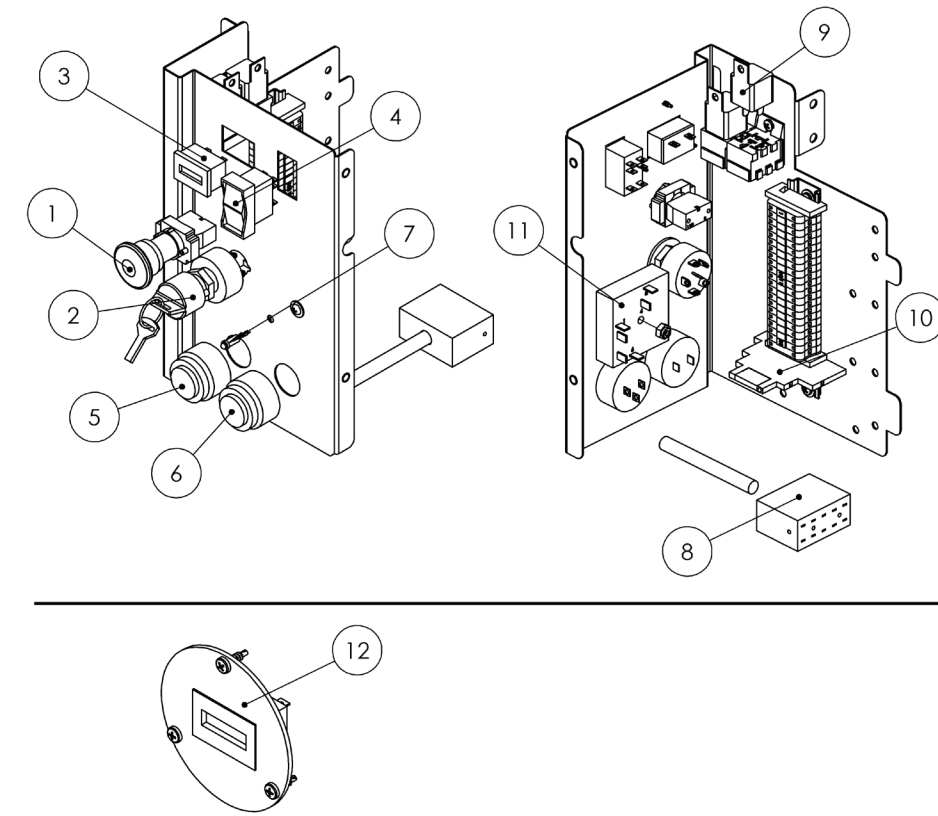


FIGURE 18: Lower Control Parts - CE

Item #	Part Number	Part Description	Note	Qty	Superseded By
1	ELEC-071-KIT	BUTTON,PUSH/PULL RED E-STOP		1	
2	ELEC-073E	SWITCH,KEY		1	
3	ELEC-610-2	METER,HOUR		1	
4	ELEC-133B	SWITCH,ROCKER DPDT		1	
5	ELEC-635	ALARM,SLOW PULSE		1	
6	ELEC-635-3	ALARM DUAL MODE		1	
7	ELEC-636	LED, RED		1	
8	ELEC-621	SOCKET,10C,CABLE MNT		1	
9	ELEC-631	RELAY,SPDT,ICE CUBE,24V DC		2	
10	ELEC-816	RELAY,TIME DELAY,SPDT,DIN MNT		1	
11	ELEC-819	RELAY,TIMER SLEEP		1	
12	ELEC-610-1-KIT	METER,HOUR		1	
13	WD-1002101051	WD,LWR CTL,HB-830CE S1	WIRING DIAGRAM; NO TILT INTERLOCK	1	
14	WD-1002101051-RD	WD,LWR CTL,HB-830CE S1	WIRING DIAGRAM; REV D	1	
15	WD-1002101051-RE	WD,LWR CTL,HB-830CE S1	WIRING DIAGRAM; WITH TILT INTERLOCK	1	

2.7 | MAIN CABLE SUBPARTS

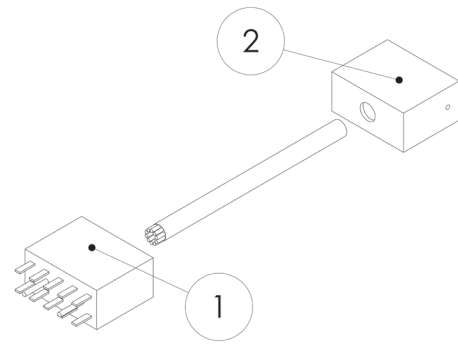


FIGURE 19: Main Cable Subparts

Item #	Part Number	Part Description	Note	Qty	Superseded By
1	ELEC-622	PLUG,10C,CABLE MNT		1	
2	ELEC-621	SOCKET,10C,CABLE MNT		1	

2.8 | DRIVE ENABLE SWITCH SUBPARTS

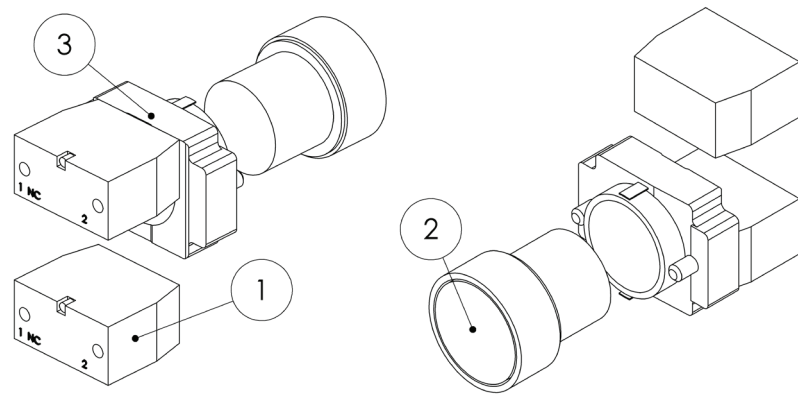


FIGURE 20: Drive Enable Switch Subparts

Item #	Part Number	Part Description	Note	Qty	Superseded By
1	ELEC-072	CONTACT BLOCK,NC		2	
2	ELEC-602	BUTTON,PUSH GREEN		1	
3	ELEC-872-KIT	CONTACT BLOCK,NC W/ BASE		1	

2.9 | ELEVATE ENABLE SWITCH SUBPARTS

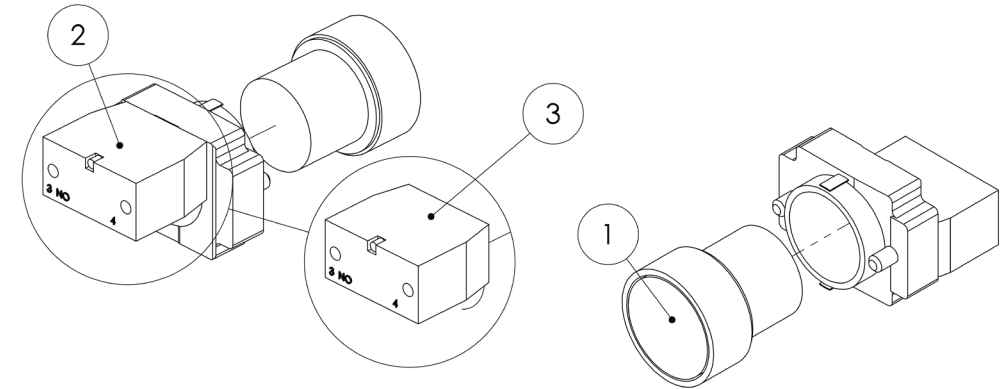


FIGURE 21: Elevate Enable Switch Subparts

Item #	Part Number	Part Description	Note	Qty	Superseded By
1	ELEC-602	BUTTON,PUSH GREEN		1	
2	ELEC-871-KIT	CONTACT BLOCK,NO W/BASE		1	
3	ELEC-603	CONTACT BLOCK,NO		1	

2.10 | E-STOP SWITCH SUBPARTS

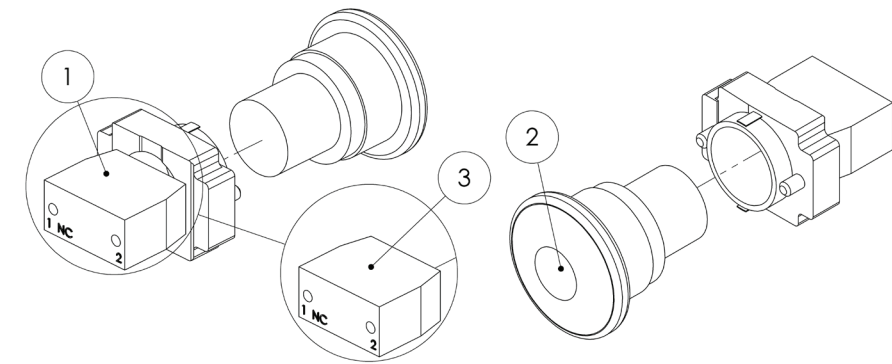


FIGURE 22: E-Stop Switch Subparts

Item #	Part Number	Part Description	Note	Qty	Superseded By
1	ELEC-872-KIT	CONTACT BLOCK,NC W/BASE		1	
2	ELEC-071	BUTTON,PUSH/PULL RED E-STOP		1	
3	ELEC-072	CONTACT BLOCK,NC		1	

2.11 | MASTER POWER SWITCH SUBPARTS

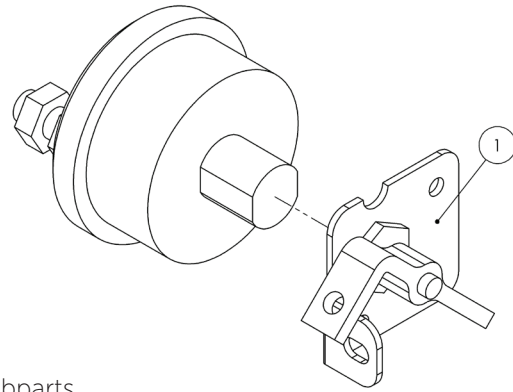


FIGURE 23: Master Power Switch Subparts

Item #	Part Number	Part Description	Note	Qty	Superseded By
1	ELEC-633-1	SWITCH,LOCKOUT LEVER KIT		1	

2.12 | HORN SWITCH SUBPARTS

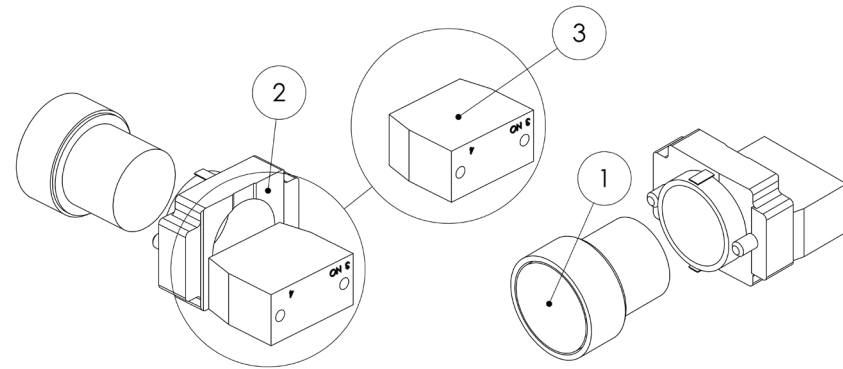


FIGURE 24: Horn Switch Subparts

Item #	Part Number	Part Description	Note	Qty	Superseded By
1	ELEC-604	BUTTON,PUSH BLACK		1	
2	ELEC-871-KIT	CONTACT BLOCK,NO W/BASE		1	
3	ELEC-603	CONTACT BLOCK,NO		1	

2.13 | JOYSTICK SUBPARTS

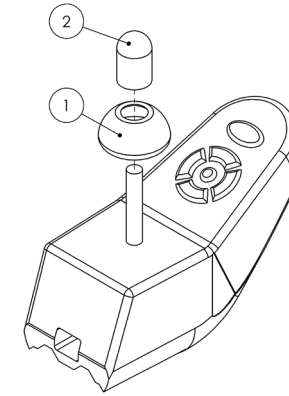


FIGURE 25: Joystick Subparts

Item #	Part Number	Part Description	Note	Qty	Superseded By
1	ELEC-551DOME	JOYSTICK,SHARK DOME		1	
2	ELEC-551KNOB	JOYSTICK,SHARK DRIVE ONLY		1	

2.14 | KEY SWITCH SUBPARTS

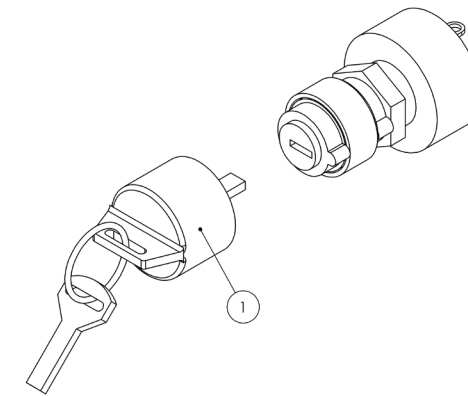
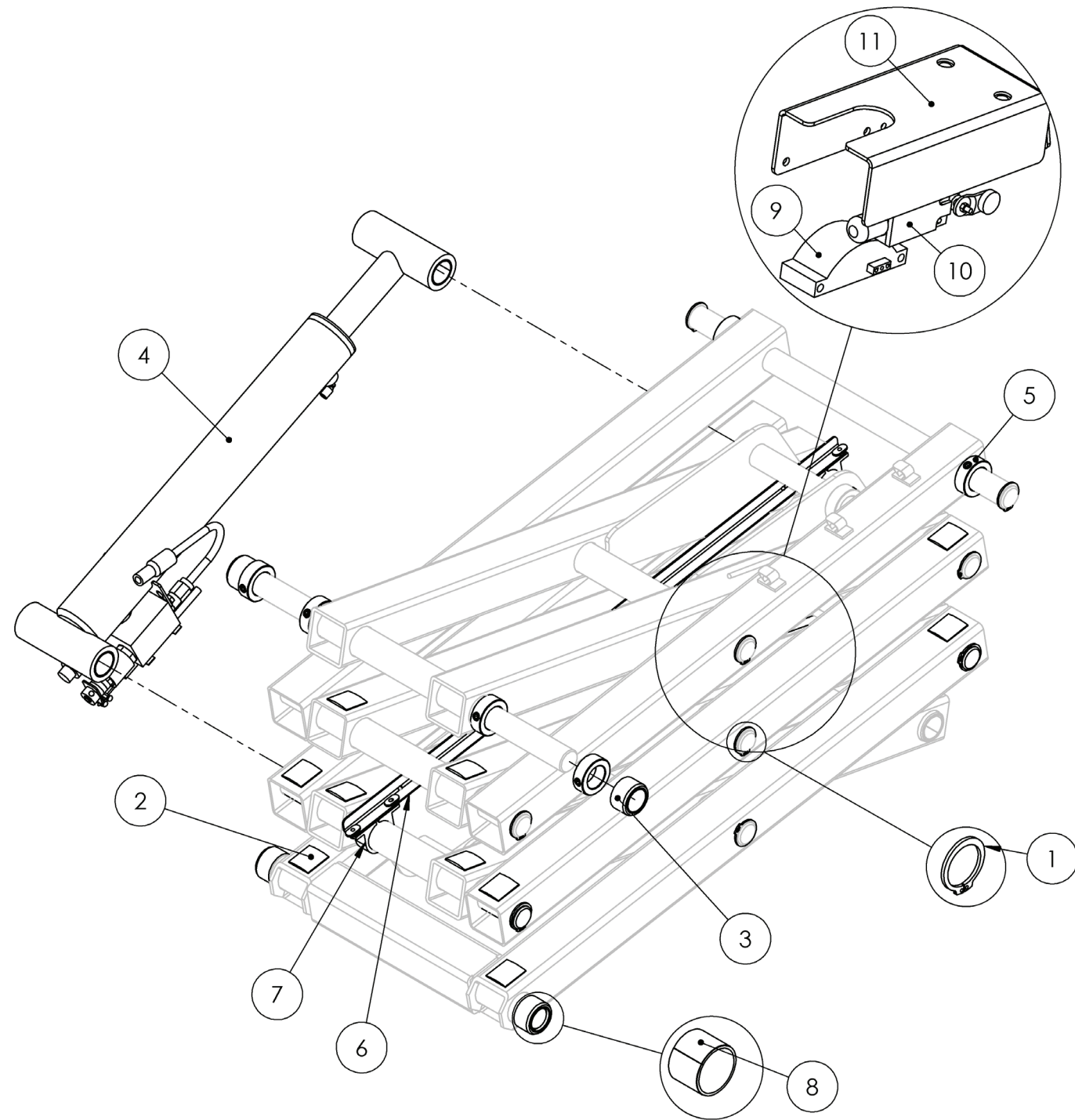


FIGURE 26: Key Switch Subparts

Item #	Part Number	Part Description	Note	Qty	Superseded By
1	ELEC-073EKEY	KEY,SPARE		1	

## 3.1 | SCISSORS PARTS



Item #	Part Number	Part Description	Note	Qty	Superseded By
1	HARD-022	1.25 RETAINING RING,EXT		18	
2	MISC-007-001-KIT	1 3/8 MOLDING BOND		16	
3	BM-6006-1-KIT	ASM,ROLLER,1.00 W/DU		4	
4	1002100351-KIT	ASM,SCISSOR CYL,24V,PRES SENS	For HB-830CE	1	
5	1021000102	SET COLLAR,1.25 ID		6	
6	1000201916	SCISSOR,CONDUIT		1	
7	HARD-709	1.63 CLAMP		2	
8	HARD-001	1.25X1.00 SLEEVE BEARING,PTFE		1	
9	ELEC-647	SENSOR,ANGLE	For HB-830CE	1	
10	ELEC-123-5	SWITCH,LIMIT,ROT LVR,NO/NC PO	For HB-830	1	
11	1000202301	SCISSOR,SWITCH MNT		1	

FIGURE 27: Scissors Parts



## 3.2 | CYLINDER SUBPARTS - ANSI

## ANSI

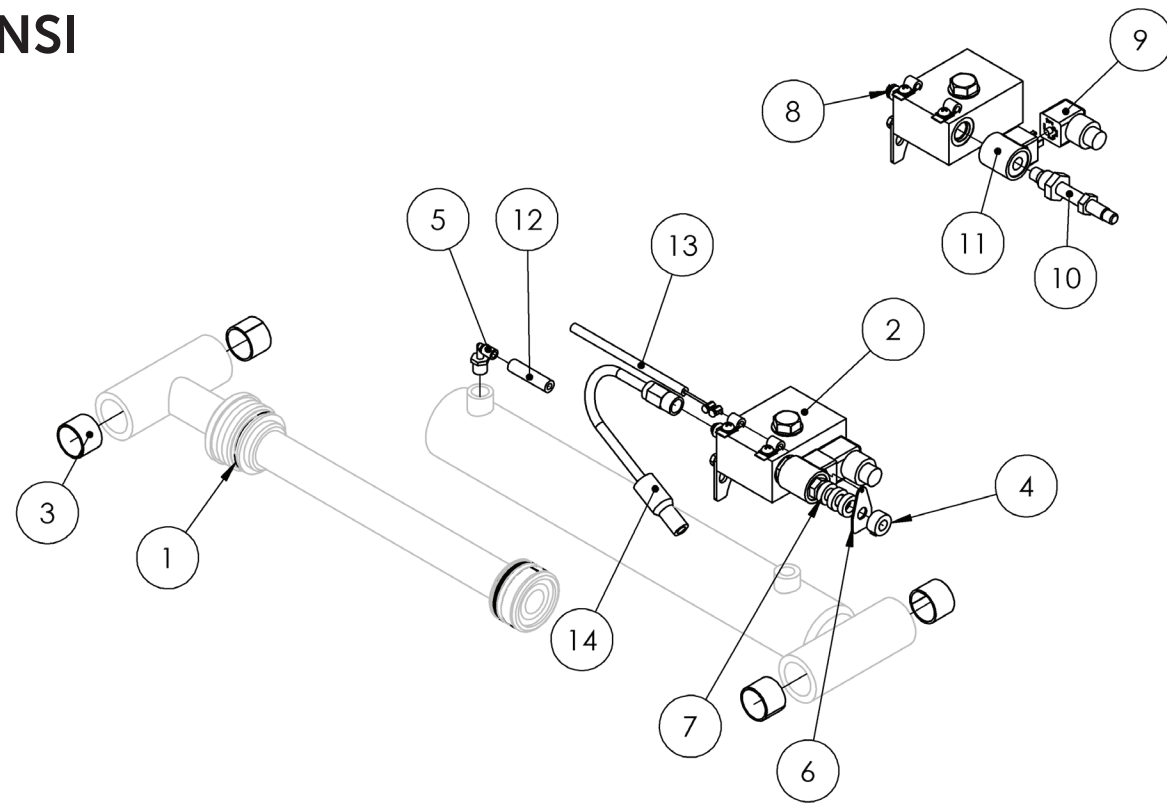


FIGURE 28: Cylinder Subparts - ANSI

Item #	Part Number	Part Description	Note	Qty	Superseded By
1	HYDR-009-SK	CYL,SEAL KIT 2.5 B,1.5 R		1	
2	1002100396	ASM,SCISSOR CYL VALVE BLK ANMP		1	
3	HARD-001	1.25X1.00 SLEEVE BEARING,PTFE		4	
4	HARD-650	0.44X0.88X0.44 SHAFT COLLAR		1	
5	HYDR-019	FITTING,ELB,NPTM 3/8-1/4 PUSH		1	
6	1020202004	SCISSOR,PLATE E-DOWN ACT		1	
7	WHEE-605-P	0.50X0.89X0.25 SPACER		3	
8	HYDR-604	FITTING,STR,SAEOR M#6-JIC M3/8		1	
9	HYDR-044-FL3	HIRSCHMANN CONNECTOR		1	
10	HYDR-007-2E-5	VALVE,NC,2W/2P,#8,DWN,PULL,DEL		1	
11	HYDR-007-2E-6	COIL,12V,HC		1	
12	HYDR-022-3	LOW PRESSURE HOSE	Quantity in inches	86	
13	HARD-644-01	60/70 LOW FRICTION CABLE		1	
14	HYDR-600-5	HOSE ASM,PRECUT 8FT3X		1	

## 3.3 | CYLINDER SUBPARTS - CE

## CE

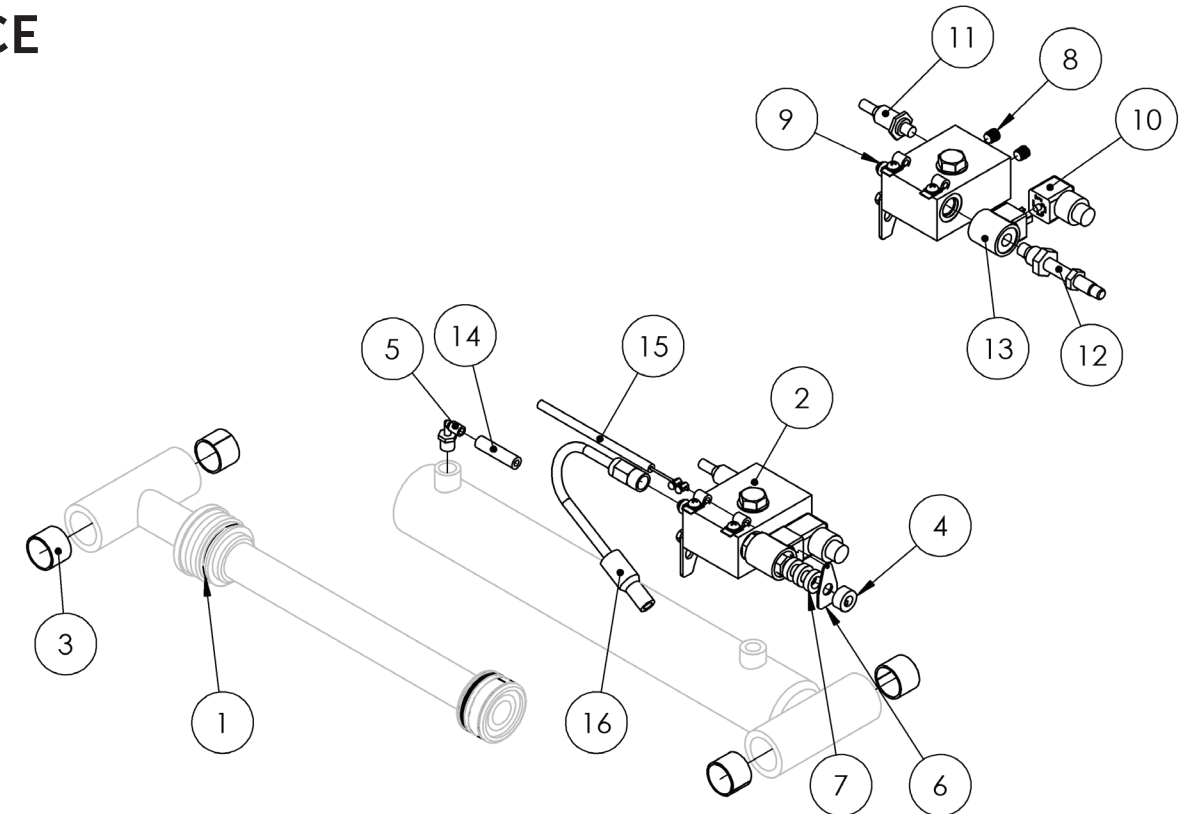


FIGURE 29: Cylinder Subparts - CE

Item #	Part Number	Part Description	Note	Qty	Superseded By
1	HYDR-009-SK	CYL,SEAL KIT 2.5 B,1.5 R		1	
2	1002100398	ASM,SCISSOR CYL VALVE BLK CESP		1	
3	HARD-001	1.25X1.00 SLEEVE BEARING,PTFE		4	
4	HARD-650	0.44X0.88X0.44 SHAFT COLLAR		1	
5	HYDR-019	FITTING,ELB,NPTM 3/8-1/4 PUSH		1	
6	1020202004	SCISSOR,PLATE E-DOWN ACT		1	
7	WHEE-605-P	0.50X0.89X0.25 SPACER		3	
8	HARD-669	PLUG,SAEORM #4,HEX SOCKET 3/16		2	
9	HYDR-604	FITTING,STR,SAEOR M#6-JIC M3/8		1	
10	HYDR-044-FL3	HIRSCHMANN CONNECTOR		1	
11	ELEC-648	SENSOR,PRESSURE		1	
12	HYDR-007-2E-5	VALVE,NC,2W/2P,#8,DWN,PULL,DEL		1	
13	HYDR-007-2E-4	COIL,24V,HC		1	
14	HYDR-022-3	LOW PRESSURE HOSE	Quantity in inches	86	
15	HARD-644-01	60/70 LOW FRICTION CABLE		1	
16	HYDR-600-5	HOSE ASM,PRECUT 8FT3X		1	

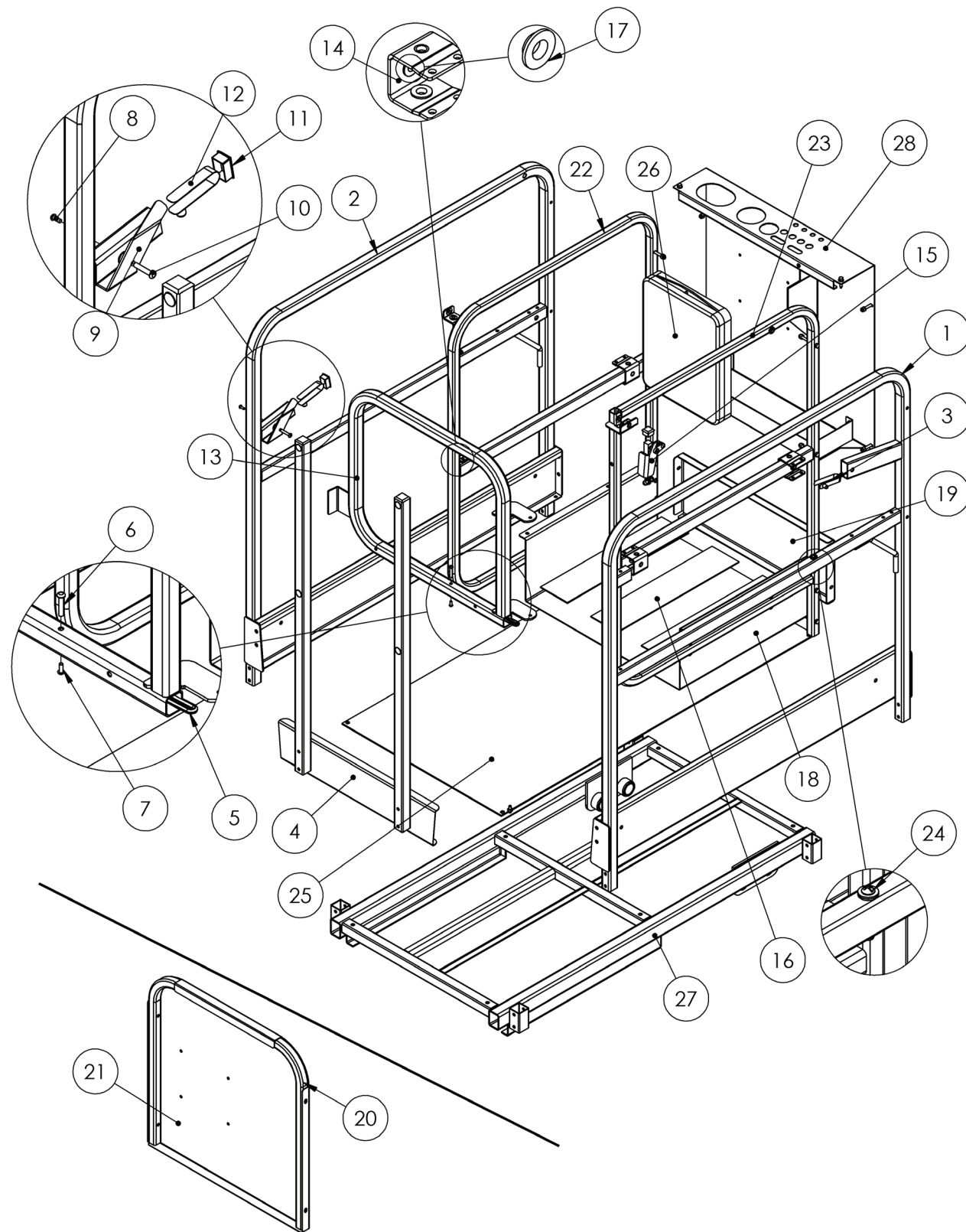


FIGURE 30: Platform & Rails

Item #	Part Number	Part Description	Note	Qty	Superseded By
1	1000300101-KIT	RAIL, WC R	STANDARD YELLOW	1	
1	1000300116-KIT	RAIL, WC R	RED	1	
2	1000300201-KIT	RAIL, WC L	STANDARD YELLOW	1	
2	1000300216-KIT	RAIL, WC L	RED	1	
3	HARD-067	0.38SNAP BUTTON,SINGLE END		1	
4	1002100691-KIT	ASM,GATE TOE BOARD	RED	1	
5	HARD-606-1	0.19X12.5 ORING		1	
6	HARD-649	0.25 X 1.25 BARREL SCRW,10-24		1	
7	SCREW-1100	10-24 X 0.50 PAN HEAD SCRW		1	
8	SCREW-1100	10-24 X 0.50 PAN HEAD SCRW		1	
9	LAS-M089-PC	RAIL,GATE LATCH	STANDARD YELLOW	1	
9	LAS-M089-PCA	RAIL,GATE LATCH	RED	1	
10	HARD-649	0.25 X 1.25 BARREL SCRW,10-24		1	
11	HARD-634	PLUG,1.00X1.50,BLACK		1	
12	HARD-066	0.50 SNAP BUTTON,SINGLE END		1	
13	HB-WC-G-01-PC	RAIL,GATE	STANDARD YELLOW	1	
13	HB-WC-G-01-PCA	RAIL,GATE	RED	1	
14	LAS-M078-1A-KIT	ASM,RAIL SLIDE CHNL W/WASHERS	RED	4	
14	LAS-M078-1-KIT	ASM,RAIL SLIDE CHNL W/WASHERS	STANDARD YELLOW	4	
15	1002100692A-KIT	ASM,RAIL SLIDE LOCK	RED	1	
15	1002100692-KIT	ASM,RAIL SLIDE LOCK	STANDARD YELLOW	1	
16	MISC-031-10-KIT	ANTI-SLIP TAPE,4.00,18.00 LENG		3	
17	HARD-626	0.38X0.50X0.19 SLD WASH,NYL W	Superseded;	0	HARD-626-3
17	HARD-626-3	0.38X0.50C.0.19 SHLD WASH,NYL B		1	
18	1000300901	RAIL,SO FLOOR BOLT-ON	STANDARD YELLOW	1	
18	1000300916	RAIL,SO FLOOR BOLT-ON	RED	1	
19	LAS-M136-PC	RAIL,SO TOE BOARD E	STANDARD YELLOW	1	
19	LAS-M136-PCA	RAIL,SO TOE BOARD E	RED	1	
20	CUT-M038-PC	RAIL,SO PANEL TUBE	STANDARD YELLOW	1	
20	CUT-M038-PCA	RAIL,SO PANEL TUBE	RED	1	
21	LAS-M132-PC	RAIL,SO FRONT PANEL	Superseded; STANDARD YELLOW	1	112-21-211-50-K
21	LAS-M132-PCA	RAIL,SO FRONT PANEL	Superseded; RED	1	112-21-211-50-K
22	1000300401-KIT	RAIL,SO L	STANDARD YELLOW	1	
22	1000300416-KIT	RAIL,SO L	RED	1	
23	1000300301-KIT	RAIL,SO R	STANDARD YELLOW	1	
23	1000300316-KIT	RAIL,SO R	RED	1	
24	SCREW-2506	1/4-20 X 2.0 ONE-WAY SCREW,SS		2	
25	1000401604	PF,DECK		1	
26	HARD-603	MANUAL BOX		1	
27	1000402301	PF,WLDMNT		1	
28	112-21-211-50-K	ASM,RAIL TOOL TRAY	STANDARD YELLOW	1	
28	112-21-211-53-K	ASM,RAIL TOOL TRAY	RED	1	

## 5.1 | DECALS - ANSI

### ANSI

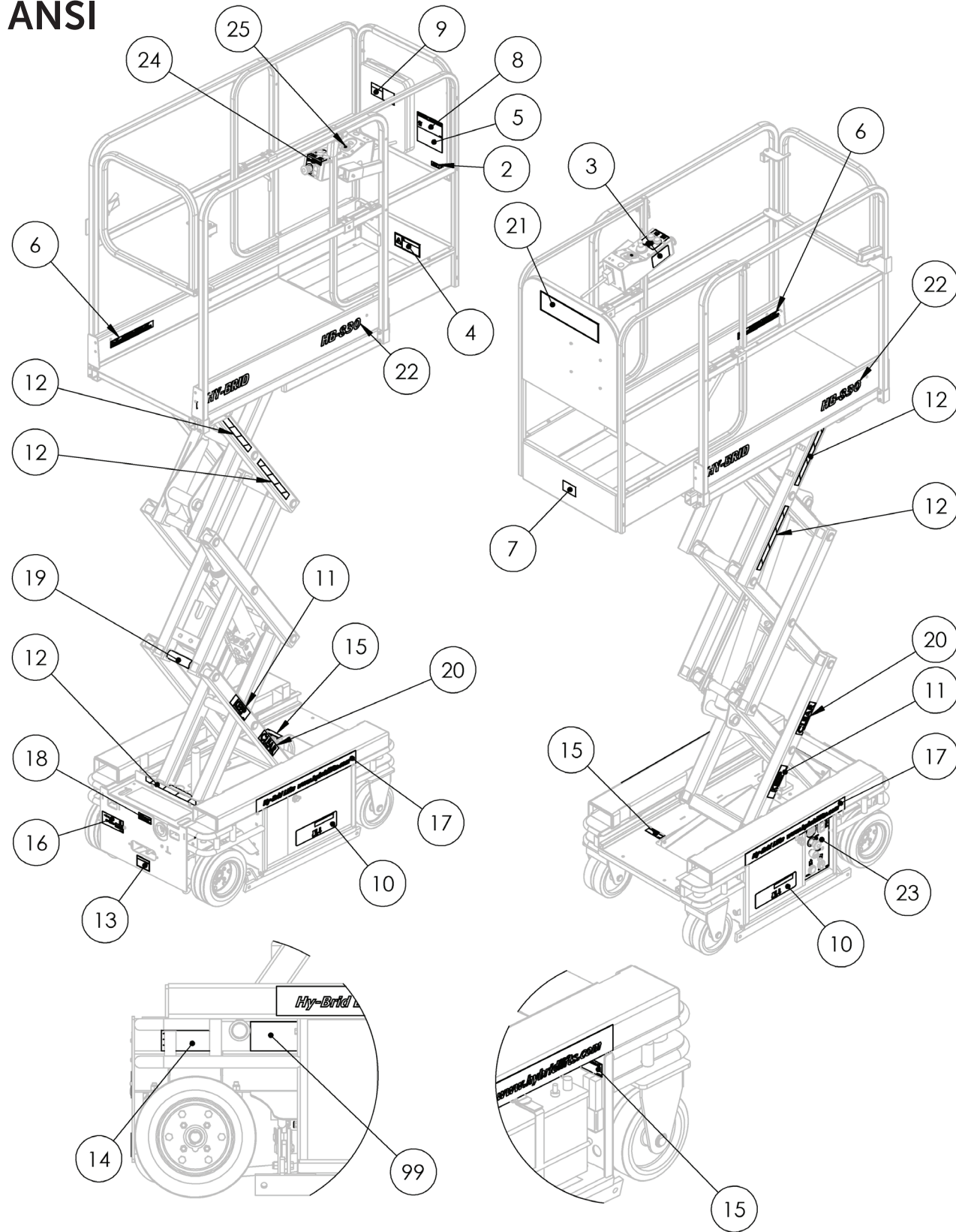


FIGURE 31: Decals - ANSI

Item #	Part Number	Part Description	Note	Qty	Superseded By
1	1002102351-KIT	DECALS,HB-830	DECAL SET	1	
1	DE803	DECALS,HB-830	Superseded; DECAL SET	0	1002102351-KIT
2	DE746	DECAL,LANYARD ATTACHMENT		1	
3	DE648	DECAL,SLEEP TIMER		1	
4	DE600-09	DECAL, ELECTROCUTION HAZARD	Superseded;	0	DE706
4	DE706	DECAL, ELECTROCUTION HAZARD		1	
5	DE725	DECAL,CAPACITY,500#,2P,I,W/SO		1	
6	DE600-03B	DECAL,CAPACITY, 500#,1P	Superseded;	0	DE725
6	DE725	DECAL,CAPACITY, 500#,1P		3	
7	DE600-22	DECAL,BRAKE RELEASE/NO TOW	Superseded;	0	DE747
7	DE747	DECAL,BRAKE RELEASE/NO TOW		1	
8	DE706	DECAL,UPR HB		1	
9	DE600E-10	DECAL,MANUAL BOX		1	
10	DE709	DECAL, LWR		2	
11	DE600-16C	DECAL, KEEP	Superseded;	0	DE727
11	DE727	DECAL, KEEP		2	
12	DE717-62	DECAL,SAFETY STRIPE (12.00)		5	
13	DE600-21	DECAL,BRAKE RELEASE/NO TOW	Superseded;	0	DE747
13	DE747	DECAL,BRAKE RELEASE/NO TOW		1	
14	DE600E-06	REPLACE OEM ONLY DECAL	Superseded;	0	DE709
14	DE709	REPLACE OEM ONLY DECAL		1	
15	DE600E-14	DECAL,MAINT LOCK		3	
16	DE600E-29	DECAL,E-DOWN	Superseded;	0	DE751
16	DE751	DECAL,E-DOWN		1	
17	DE652	DECAL,WEBSITE	Superseded;	0	DE822
17	DE822	DECAL,WEBSITE		2	
18	DE753	DECAL,CHARGER CORD		1	
19	DE600E-20	DECAL,CRUSHING HAZARD		2	
20	DE600-16D	DECAL,CLEAR	Superseded;	0	DE728
20	DE728	DECAL,CLEAR		2	
21	DE821	DECAL,LOGO HY-BRID		1	
22	DE603-2	DECAL,MODEL #HB-830		2	
23	DE633	DECAL,CONTROL LWR ANSI STYLE		1	
24	DE639	DECAL,UPR CTL (ZTR)		1	
25	DE641	DECAL,ROUND BLACK		1	
40	DE600-02-KIT-57	DECAL,DANGERS RETROFIT,830S1	KIT	1	
99	N/A	SERIAL NUMBER		0	

5.2 | DECALS - CE  
**CE**

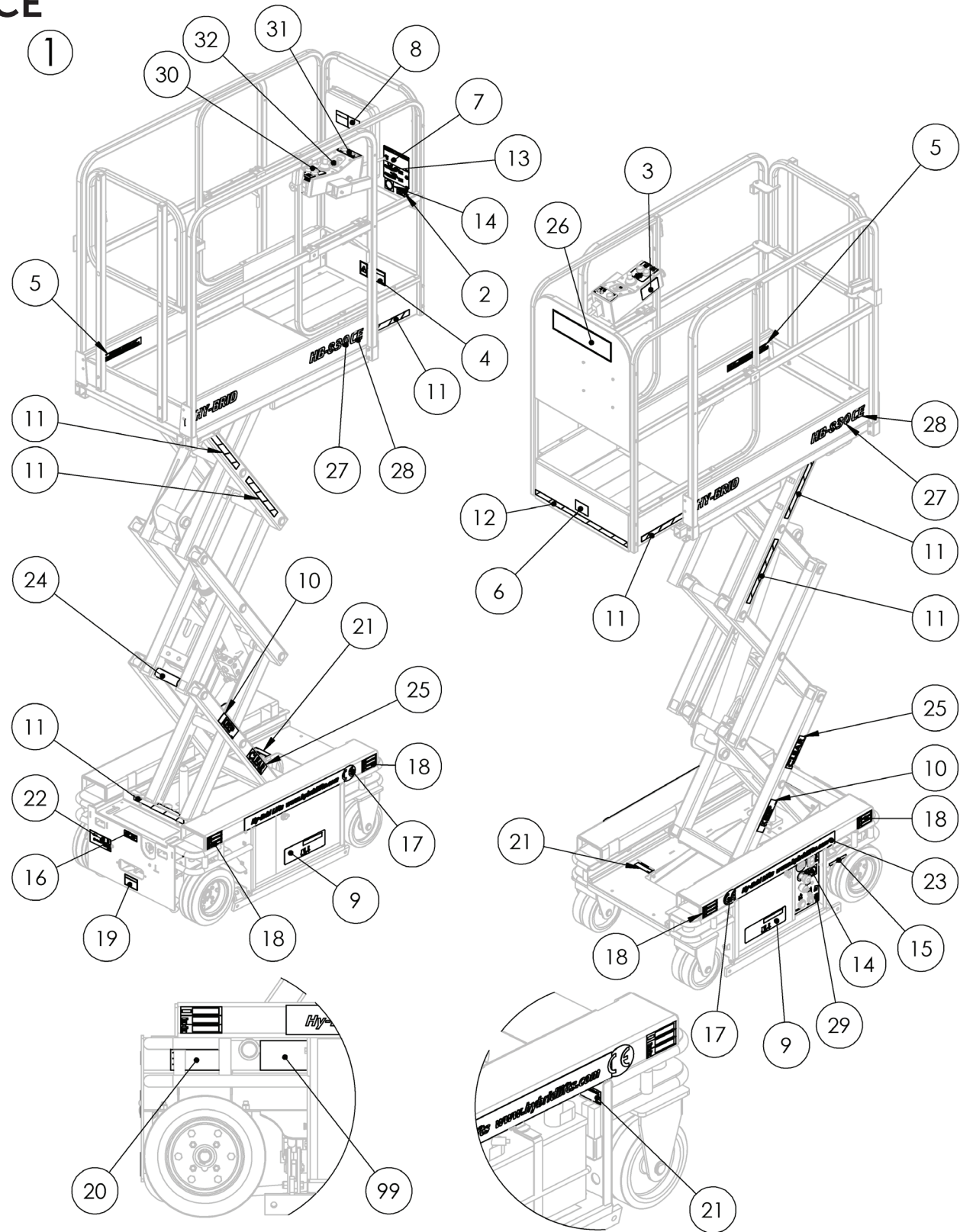


FIGURE 32: Decals - CE

Item #	Part Number	Part Description	Note	Qty	Superseded By
1	1002102354-KIT	DECALS,HB-830CE	DECAL SET	1	
1	DE802	DECALS,HB-830CE	Superseded; DECAL SET	0	1002101254-KIT
2	DE746	DECAL,LANYARD ATTACHMENT		1	
3	DE648	DECAL,SLEEP TIMER		1	
4	DE600-09	DECAL, ELECTROCUTION HAZARD	Superseded;	0	DE706
5	DE600-03B	DECAL,CAPACITY, 500#,1P	Superseded;	0	DE713
5	DE713	DECAL,CAPACITY, 500#,1P		3	
6	DE600-22	DECAL,BRAKE RELEASE/NO TOW	Superseded;	0	DE747
6	DE747	DECAL,BRAKE RELEASE/NO TOW		1	
7	DE706	DECAL,UPR HB		1	
8	DE600E-10	DECAL,MANUAL BOX		1	
9	DE709	DECAL, LWR		2	
10	DE600-16C	DECAL, KEEP	Superseded;	0	DE727
10	DE727	DECAL, KEEP		2	
11	DE717-62	DECAL,SAFETY STRIPE (12.00)		7	
12	DE717-63	DECAL,SAFETY STRIPE (22.25)		1	
13	DE713	DECAL,CAPACITY,500#,1P,W/SO		1	
14	DE621	DECAL,NO UNAUTHORIZED USE		2	
15	DE636	DECAL,MASTER POWER SWITCH		1	
16	DE752	DECAL,CHARGER CORD (EU)		1	
17	DE718	DECAL,CE		2	
18	DE600E-24D	DECAL,WHEEL LOAD HB-830CE		4	
19	DE600-21	DECAL,BRAKE RELEASE/NO TOW	Superseded;	0	DE747
19	DE747	DECAL,BRAKE RELEASE/NO TOW		1	
20	DE600E-06	REPLACE OEM ONLY DECAL	Superseded;	0	DE709
20	DE709	REPLACE OEM ONLY DECAL		1	
21	DE600E-14	DECAL,MAINT LOCK		3	
22	DE600E-29	DECAL,E-DOWN	Superseded;	0	DE751
22	DE751	DECAL,E-DOWN		1	
23	DE652	DECAL,WEBSITE	Superseded;	0	DE822
23	DE822	DECAL,WEBSITE		2	
24	DE600E-20	DECAL,CRUSHING HAZARD		2	
25	DE600-16D	DECAL,CLEAR	Superseded;	0	DE728
25	DE728	DECAL,CLEAR		2	
26	DE821	DECAL,LOGO HY-BRID		1	
27	DE603-2	DECAL,MODEL #HB-830		2	
28	DE603E	DECAL,MODEL NUMBER,E		2	
29	DE638	DECAL,CTL LWR CE		1	
30	DE639	DECAL,UPR CTL (ZTR)		1	
31	DE640	DECAL,CTL UPR CE		1	

32	DE641	DECAL,ROUND BLACK		1	
33	DE600-01	DECAL,WARNINGS	Superseded;	0	DE706
34	DE600-04	DECAL,PLAT EXT & GATE	Superseded;	0	DE706
35	DE600-08	DECAL,BATT GAS WARNING	Superseded;	0	DE709
36	DE600-17	DECAL,SAFETY STRIPE (12.00)	Superseded;	0	DE717-62
37	DE600E-02	DECAL,DANGERS INDOOR ONLY	Superseded;	0	DE600-02-KIT-58
38	DE600E-05	DECAL,DANGER TIP	Superseded;	0	DE706
39	DE600E-18	DECAL,BATT WEIGHT	Superseded;	0	DE709
40	DE601	DECAL,LOGO HY-BRID	Superseded;	0	DE821
41	DE613	DECAL,LANYARD ATTACHMENT	Superseded;	0	DE746
42	DE615	DECAL,CE	Superseded;	0	DE718
44	DE629	DECAL,CHARGER CORD DECAL (EU)	Superseded;	0	DE752
45	DE626	DECAL,PH WARNING	Superseded;	0	DE709
46	DE600-02-KIT-58	DECAL,DANGERS RETROFIT,830CES1	KIT	1	
99	N/A	SERIAL NUMBER		0	

THIS PAGE WAS INTENTIONALLY LEFT BLANK

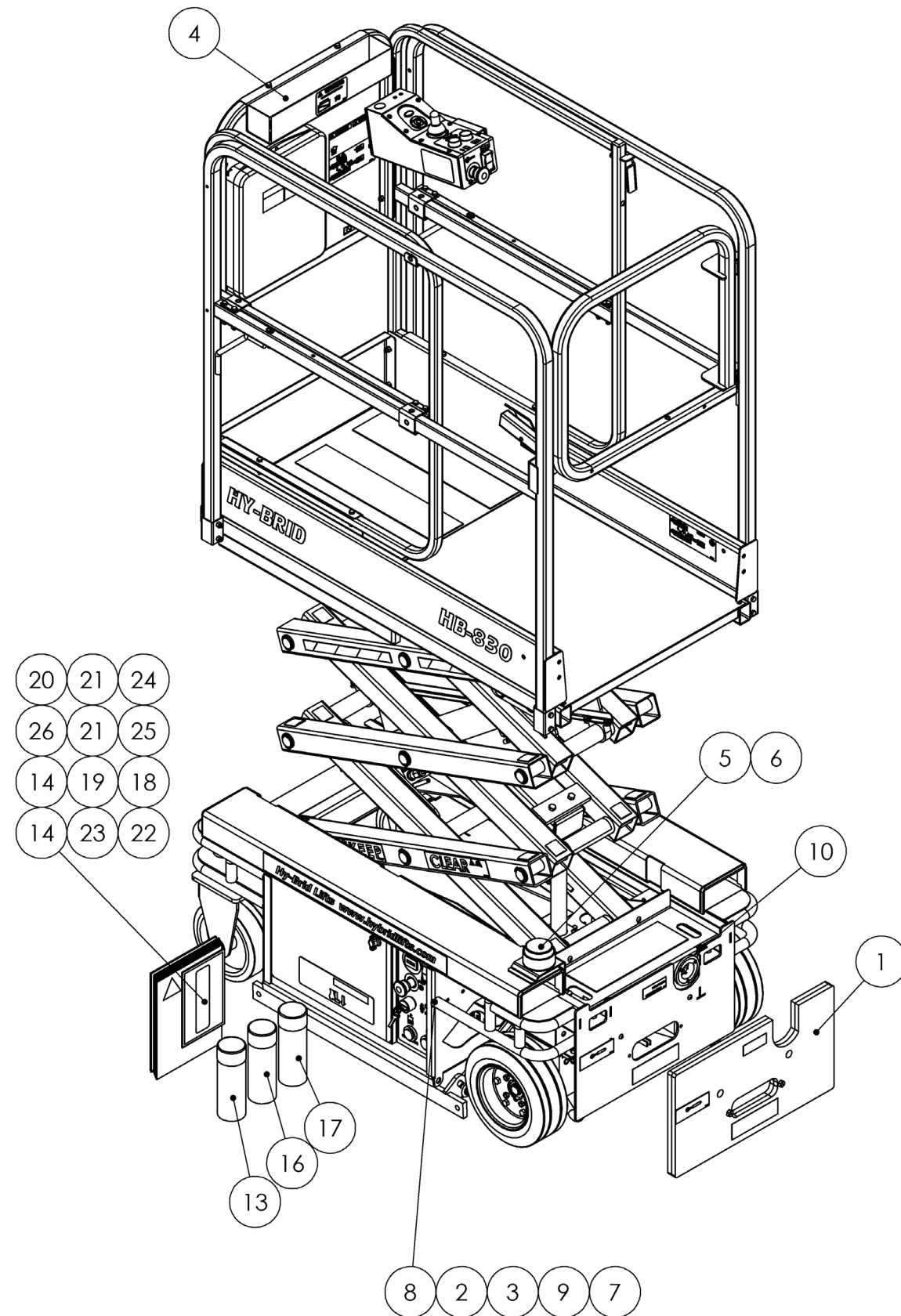


FIGURE 33: Options & Miscellaneous

Item #	Part Number	Part Description	Note	Qty	Superseded By
1	1000132301-KIT	BASE,CW BLOCK		1	
2	1002000550	MOTION ALARM,HB-830		1	
3	1002000551	MOTION ALARM,HB-830CE		1	
4	1002000650-KIT	ASM,TOOL TRAY, HB		1	
4	112-21-211-50-K	ASM,RAIL TOOL TRAY		1	
5	1002000950	BEACON,FLASHING,HB830		1	
6	1002000951	BEACON,FLASHING,HB830CE		1	
7	1002101950	CONVERSION KIT:ANSI/CSA HB-830		1	
8	1002102150	ASM,TILT INTERLOCK HB-830CE		1	
9	1002102151	ASM,TILT INTERLOCK, HB-830		1	
10	ELEC-807	PLUG,POWER PORT	Superseded;	1	ELEC-831
10	ELEC-831	PLUG,POWER PORT		1	
11	HS-HB-830	HYDR SCH,HB-830	HYDRAULIC SCHEMATIC	1	
12	HS-HB-830CE	HYDR SCH,HB-830CE	HYDRAULIC SCHEMATIC	1	
13	MISC-016	PAINT,RED TOUCH-UP SPRAY		1	
14	MISC-600	MANUAL,AERIAL PF		1	
15	MISC-601	MANUAL,RESPONSIBILITIES A92.6		1	
16	MISC-624	PAINT,WHITE TOUCH-UP SPRAY		1	
17	MISC-625	PAINT,YELLOW TOUCH-UP SPRAY		1	
18	SUPO-612	MANUAL,OP HB-830S1		1	
19	SUPO-612E	MANUAL,OP HB-830CES1		1	
20	SUPO-612EDUT	MANUAL,OP HB-830CES1,DU		1	
21	SUPO-612EGER	MANUAL,OP HB-830CES1,GE		1	
22	SUPO-613	MANUAL,MAINT,HB-830S1		1	
23	SUPO-613E	MANUAL,MAINT,HB-830CES1		1	
24	SUPO-616	DOCUMENT,CE DECL HB-830/P830S1		1	
25	SUPO-626	DOCUMENT,CSA DECL HB-830 S1		1	
26	SUPO-736	MANUAL,PARTS HB-830/830CE S1		1	

# **HY-BRID LIFTS™**

BY CUSTOM EQUIPMENT LLC

---

Self-Propelled Aerial Work Platform  
Parts Manual  
HB-830/HB-830CE

---

© 2017 Custom Equipment, LLC  
2647 Highway 175  
Richfield, WI 53076  
U.S.A.  
Tel.: +1-262-644-1300  
Fax: +1-262-644-1320  
[www.hybridlifts.com](http://www.hybridlifts.com)  
[Service@Customequipmentlifts.com](mailto:Service@Customequipmentlifts.com)

"Hy-Brid Lifts" is a trademark of Custom Equipment, LLC  
These machines comply with specified ANSI, CSA, & EN 280  
requirements

Revision Date: April 2018

Printed In The USA