

HY-BRID LIFTS™

BY CUSTOM EQUIPMENT LLC

PARTS MANUAL

SELF-PROPELLED AERIAL WORK PLATFORM

SUPO-733

REV A



HB-1030CE

SERIES I

Model HB-1030CE Serial #Ranges:
E52020-E52022
CE52023-CE53068

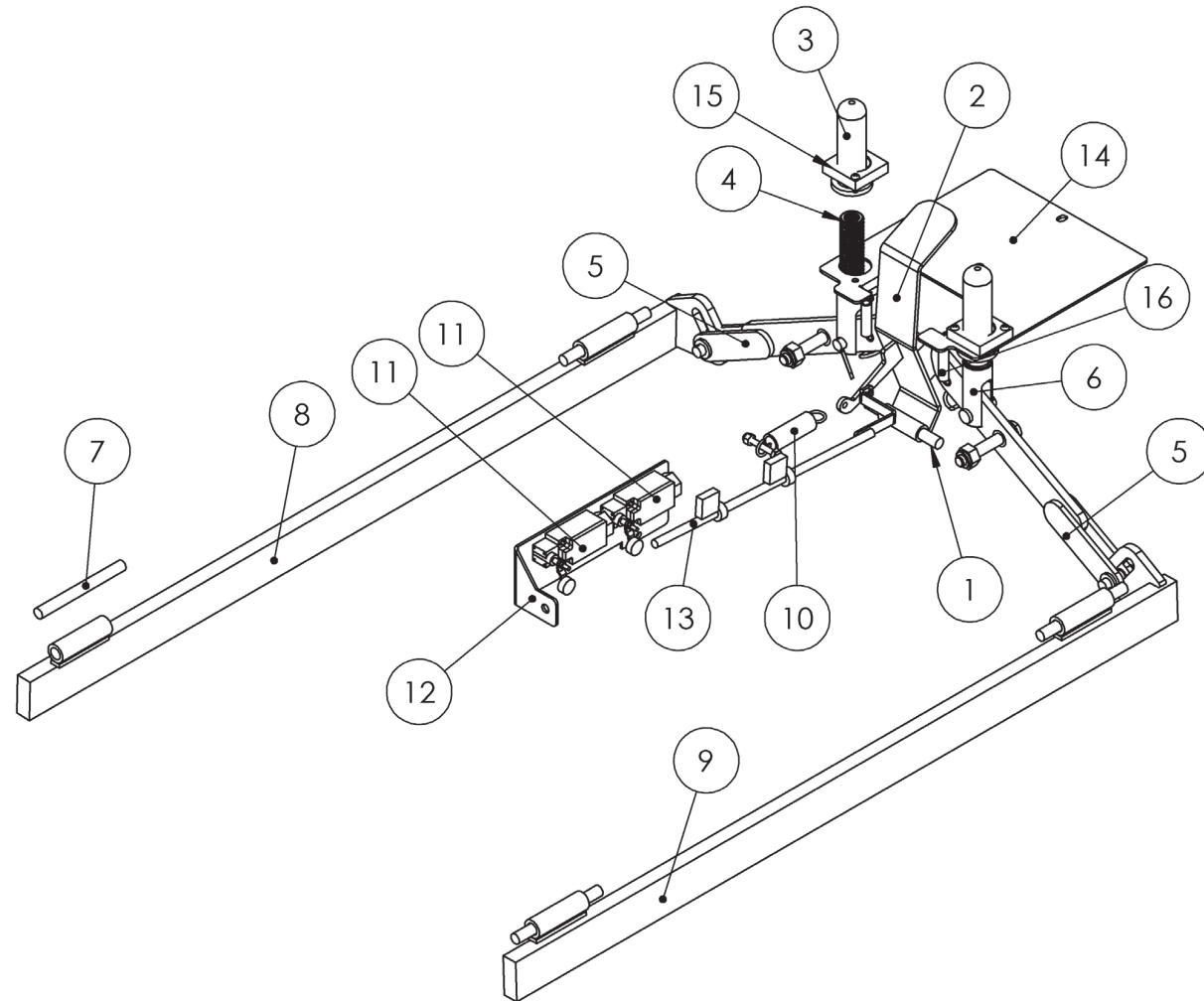
TABLE OF CONTENTS

NOTES.....	2
SERIAL NUMBER REFERENCE.....	3
TABLE OF CONTENTS.....	4
INDEX OF FIGURES.....	5
SECTION 1 BASE	6
1.1 POTHOLE GUARD PARTS PARTS.....	6
1.2 STEER PARTS.....	8
1.3 STEER ACTUATOR PARTS.....	9
1.4 CENTER STEER SUBPARTS.....	10
1.5 CASTER SUBPARTS.....	11
1.6 FRONT WHEEL SUBPARTS.....	12
1.7 DRIVE PARTS.....	13
1.8 DRIVE SUBPARTS.....	14
1.9 BRAKE SUBPARTS.....	16
1.10 PUMP PARTS.....	17
1.11 PUMP SUBPARTS.....	18
1.12 MISCELLANEOUS PARTS.....	20
SECTION 2 CONTROLS	22
2.1 ELECTRICAL PARTS.....	22
2.2 MAIN CABLE SUBPARTS.....	24
2.3 UPPER CONTROL PARTS.....	25
2.4 LOWER CONTROL PARTS.....	26
2.5 JOYSTICK SUBPARTS.....	27
2.6 MASTER POWER SWITCH SUBPARTS.....	28
2.7 KEY SWITCH SUBPARTS.....	28
SECTION 3 SCISSORS	30
3.1 SCISSORS PARTS.....	30
3.2 CYLINDER SUBPARTS.....	31
SECTION 4 PLATFORM & RAILS	32
SECTION 5 DECALS	34
SECTION 6 OPTIONS & MISCELLANEOUS	38

INDEX OF FIGURES

FIGURE 1: Pothole Guard Parts Parts.....	6
FIGURE 2: Steer Parts.....	8
FIGURE 3: Steer Actuator Parts.....	9
FIGURE 4: Center Steer Subparts.....	10
FIGURE 5: Caster Subparts.....	11
FIGURE 6: Front Wheel Subparts.....	12
FIGURE 7: Drive Parts.....	13
FIGURE 8: Drive Subparts.....	14
FIGURE 9: Brake Subparts.....	16
FIGURE 10: Pump Parts.....	17
FIGURE 11: Pump Subparts.....	18
FIGURE 12: Miscellaneous Parts.....	20
FIGURE 13: Electrical Parts.....	22
FIGURE 14: Main Cable Subparts.....	24
FIGURE 15: Upper Control Parts.....	25
FIGURE 16: Lower Control Parts.....	26
FIGURE 17: Joystick Subparts.....	27
FIGURE 18: Master Power Switch Subparts.....	28
FIGURE 19: Key Switch Subparts.....	28
FIGURE 20: Scissors Parts.....	30
FIGURE 21: Cylinder Subparts.....	31
FIGURE 22: Platform & Rails.....	32
FIGURE 23: Decals.....	34
FIGURE 24: Options & Miscellaneous.....	38

1.1 | POTHOLE GUARD PARTS PARTS



Item #	Part Number	Part Description	Notes	Qty	Superseded By
1	RND-HB-003-P	PIN,HINGE,0.50,4.3		1	
2	HB-PH-3-PC	BASE,PH LOCK		1	
3	HB-PH-11	BASE,PH RET SLEEVE		2	
4	HARD-647	SPRING,COMP,3 X1.000,OD		2	
5	HB-PH-1-P	PH ARM WELDMENT-PLATED		1	
6	HB-PH-10	BASE,PH ARM CLEVIS		1	
7	RND-HB-002-P	PIN,HINGE,0.50,5.0		1	
8	HB-PH-2-R	BASE,PH BAR R (HB1 10 WHL)		1	
9	HB-PH-2-L	BASE,PH BAR L (HB1 10 WHL)		1	
10	HARD-642	SPRING,EXT 4 X .84,OD		1	
11	ELEC-123-2	SWITCH,LIMIT,ROT LVR,NO/NC PO	Superseded;	2	ELEC-123-5
11	ELEC-123-5	SWITCH,LIMIT,ROT LVR,NO/NC PO		2	
12	LAS-M122-1-P	BASE,LS MNT BRKT		1	
13	HB-LS-01-KIT	BASE,LS ACTUATOR		1	
14	LAS-M059-PC	BASE,PH MNT PLATE		1	
15	HB-PH-12	GUIDE BLOCK		2	
16	HARD-648	SPRING,EXT 2.25 X .44,OD		4	
17	HB-LS	BASE,LS ACTUATOR	Superseded; E52020-E52022	1	HB-LS-01-KIT
18	LAS-M112	BASE,LS MNT BRKT	Superseded; E52020-E52022	2	LAS-M122-1-P
19	SUB A16-KIT	ASM,PH ARM RETRO,SUB A15-16	E52020-E52022	1	

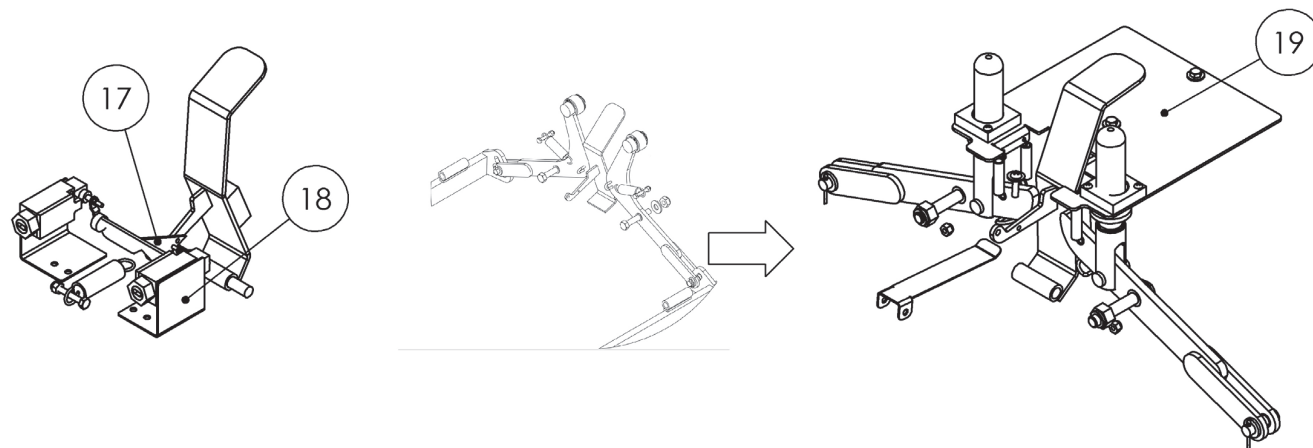


FIGURE 1: Pothole Guard Parts Parts

1.2 | STEER PARTS

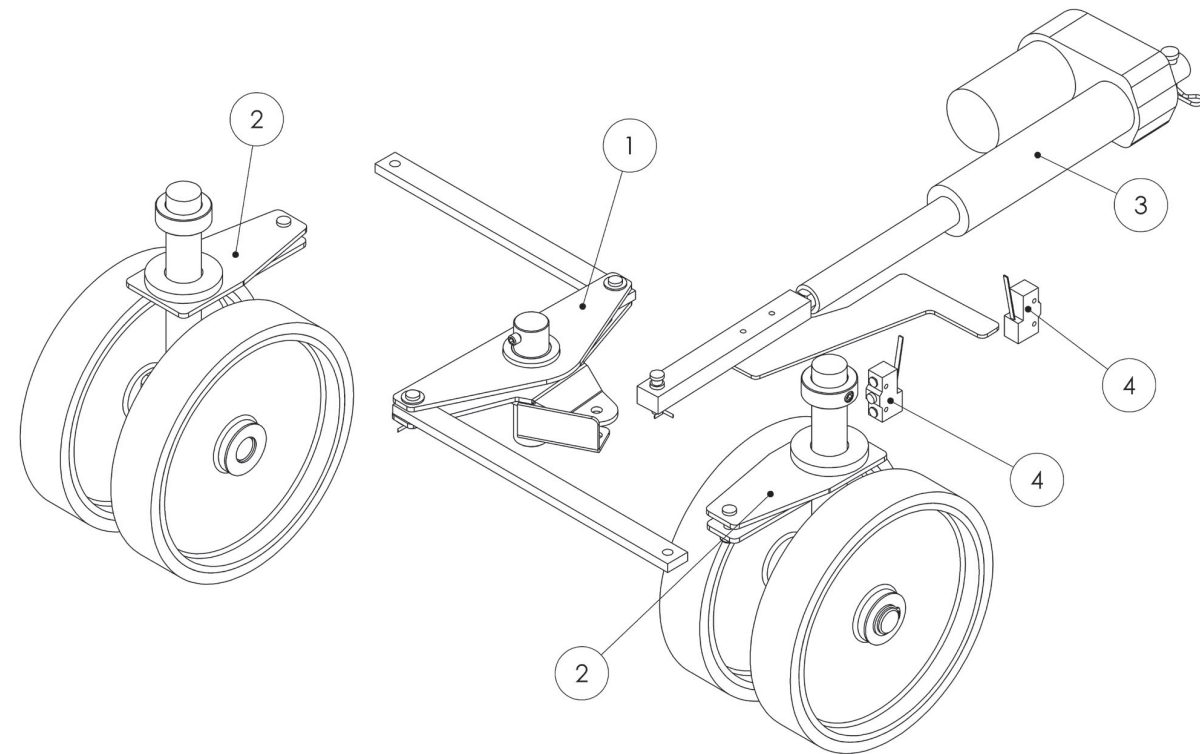


FIGURE 2: Steer Parts

Item #	Part Number	Part Description	Notes	Qty	Superseded By
1	HARD-022	RET RING 1.25		1	
2	SUB A2-A	ASM,BASE CENTER STEER HBLG S1		1	
3	HARD-615-1	THRUST BEARING,0.25THK,UHMW		2	
4	SUB A3-1	ASM,BASE CASTERS 10 WHL		2	
5	ELEC-624	SWITCH,LIMIT STRAIGHT LEVER		2	
6	SUB A1-KIT	ASM,BASE STEER ACT		1	
7	1021000102	SET COLLAR,1.25 ID		2	

1.3 | STEER ACTUATOR PARTS

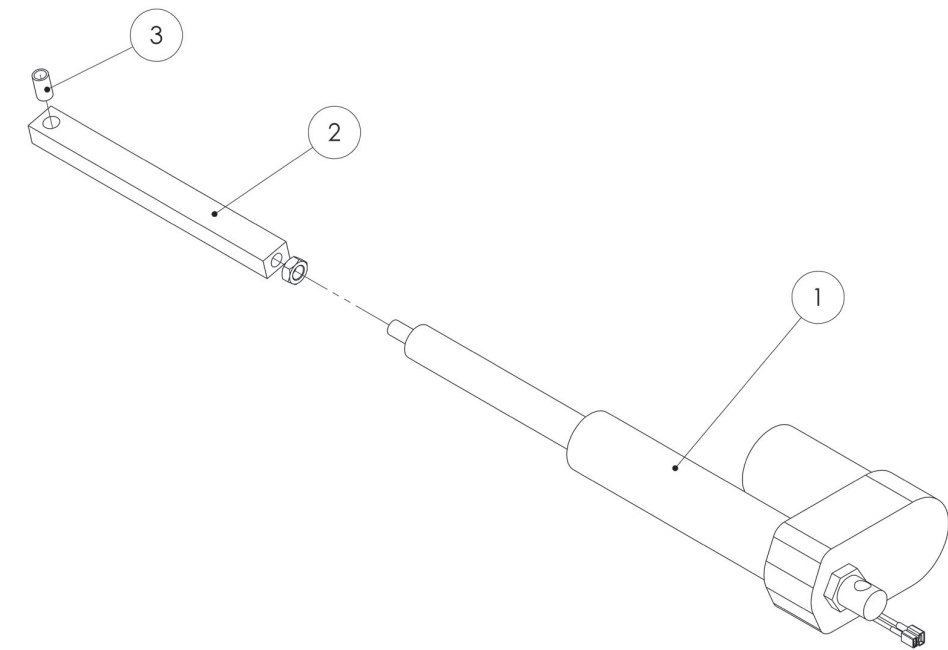


FIGURE 3: Steer Actuator Parts

Item #	Part Number	Part Description	Notes	Qty	Superseded By
1	ELEC-650	ACTUATOR,LINEAR		1	
2	HB-ST-DN-P	BASE,STEER ACT EXT HBLG S1		1	
3	HARD-620	BUSHING,0.38,0.50,0.88		1	

1.4 | CENTER STEER SUBPARTS

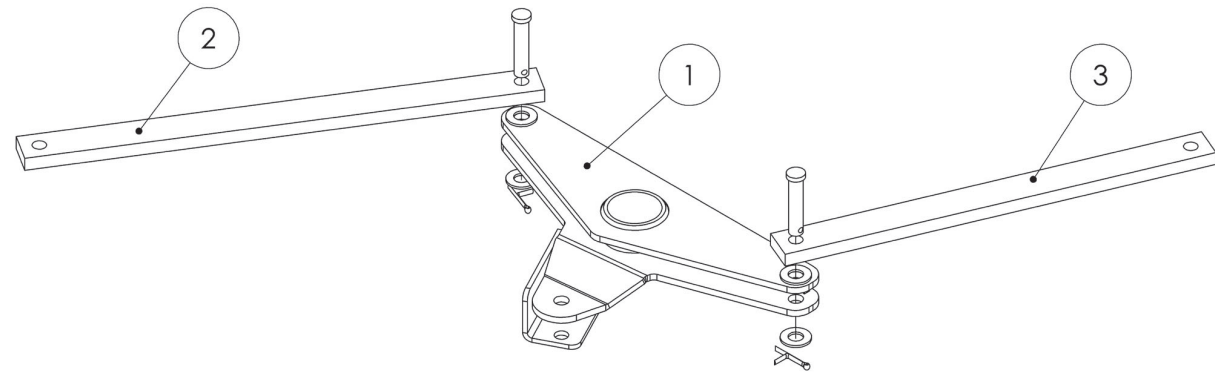


FIGURE 4: Center Steer Subparts

Item #	Part Number	Part Description	Notes	Qty	Superseded By
1	HB-ST-4-PC-KIT	BASE,STEER WLDMNT,HB-1430 S1	Reinforcement all the way across	1	
2	HB-ST-2-A-P	BASE,TIE ROD LONG		1	
3	HB-ST-3-A-P	BASE,TIE ROD SHORT		1	

1.5 | CASTER SUBPARTS

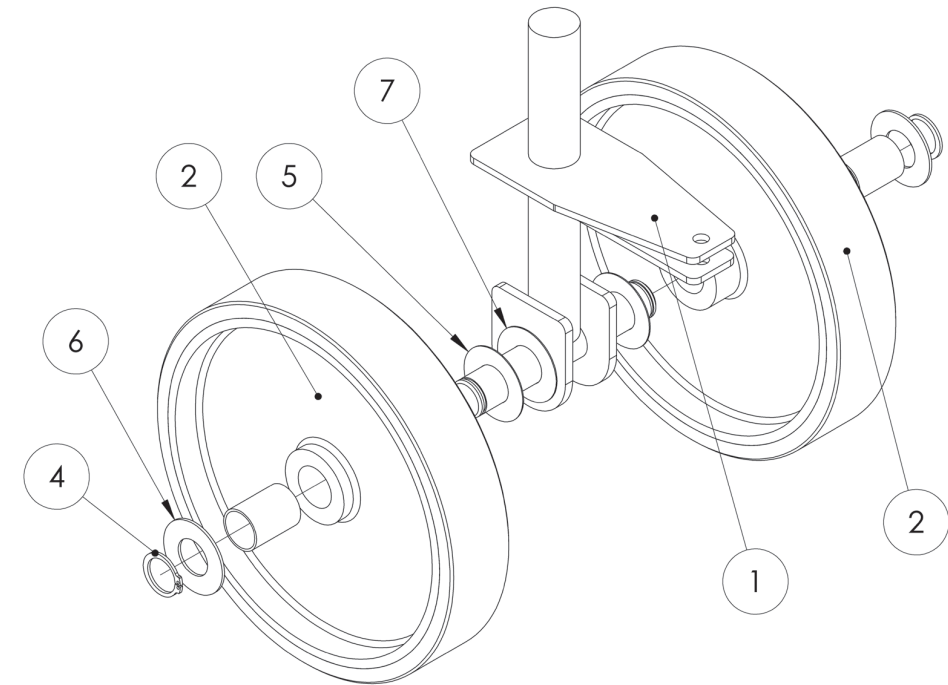


FIGURE 5: Caster Subparts

Item #	Part Number	Part Description	Notes	Qty	Superseded By
1	PB-0021-P	BASE,CASTER FRONT		1	
2	WHEE-604-KIT	WHL,10X2,GREY UR		2	
4	HARD-021	RET RING 1.0		2	
5	WHEE-609-P	WASHER,1.015 IDX2 ODX.03 THK P		2	
6	WHEE-603-2-P	WASHER,1.0 ID,2.0 OD,.075 THK		2	
7	WHEE-609-SS	WASHER, 1.015ID,2OD,.03 THK SS		2	

1.6 | FRONT WHEEL SUBPARTS

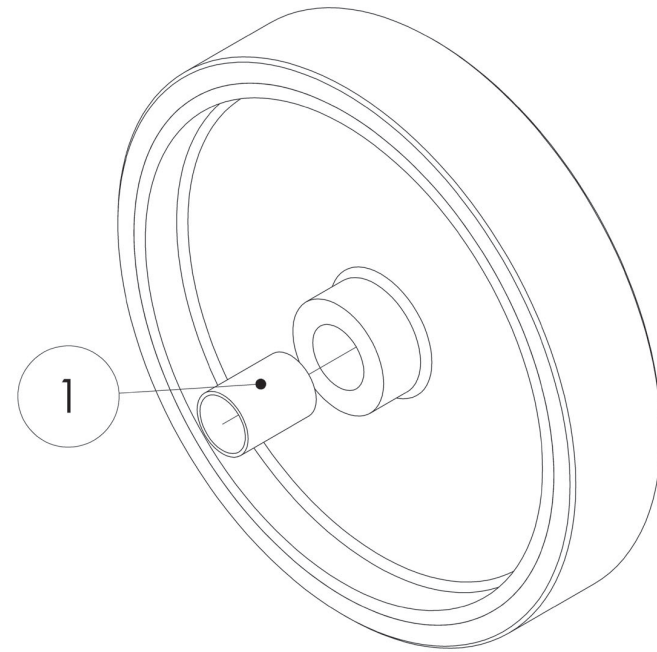


FIGURE 6: Front Wheel Subparts

Item #	Part Number	Part Description	Notes	Qty	Superseded By
1	HARD-001-1	DU BEARING,1 ID X 1.5 L		1	

1.7 | DRIVE PARTS

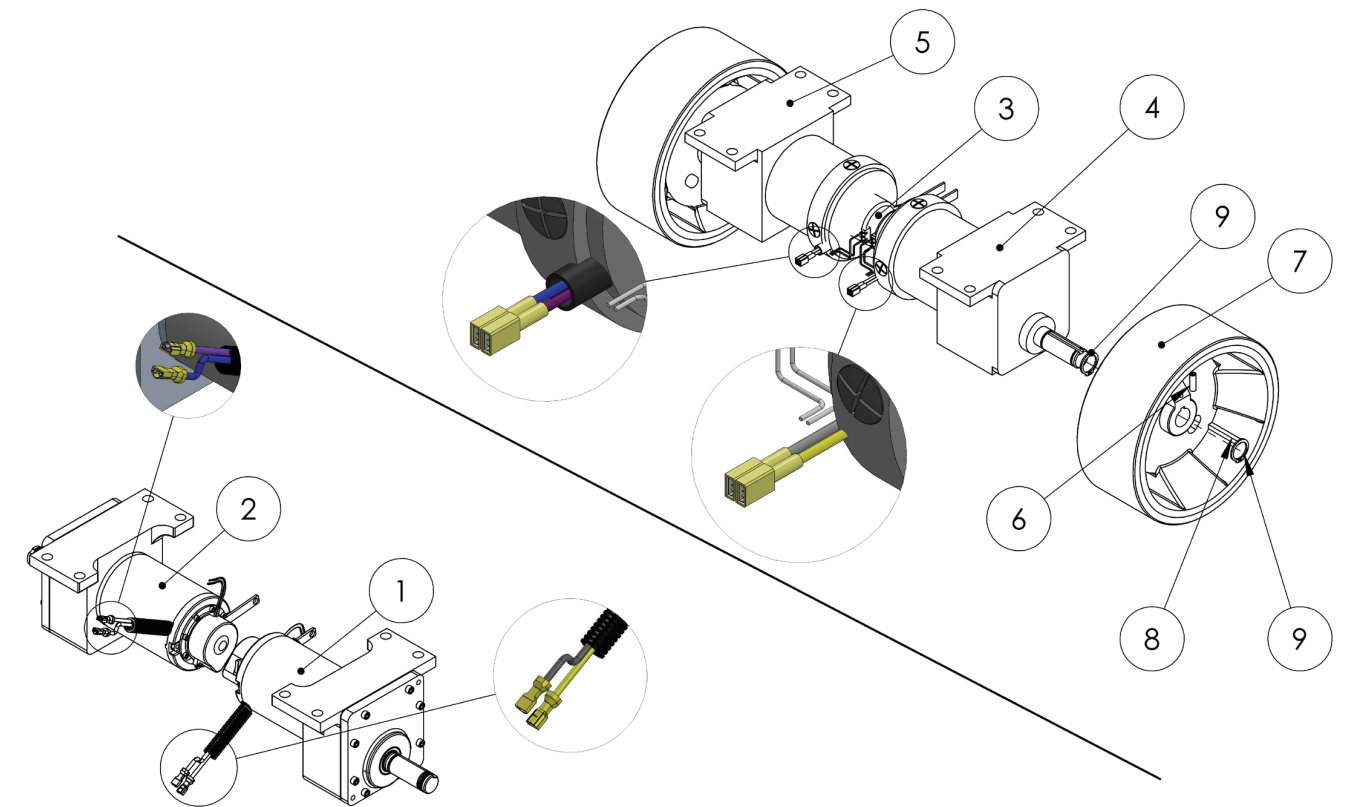
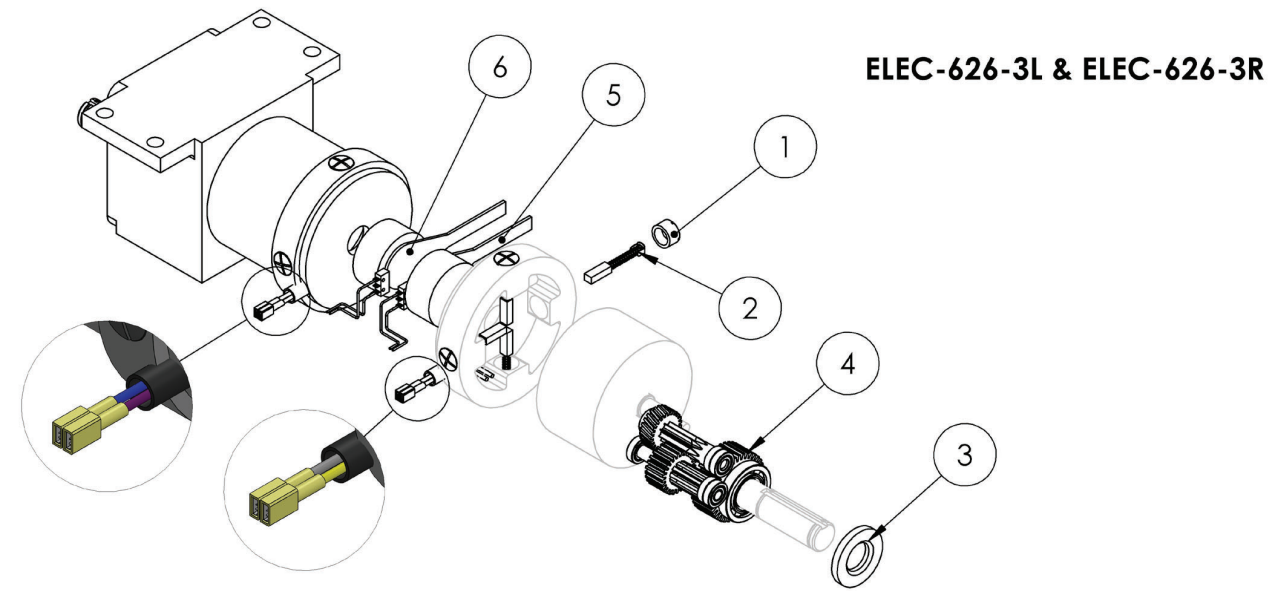


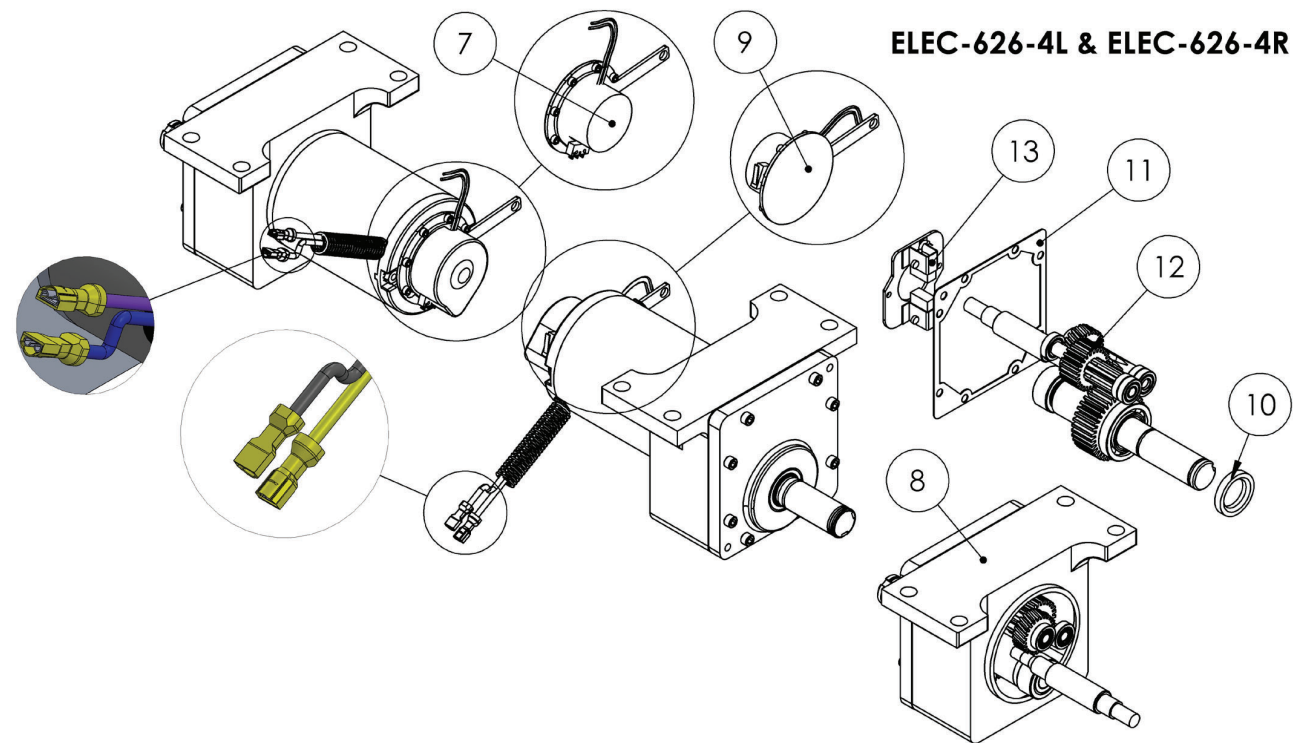
FIGURE 7: Drive Parts

Item #	Part Number	Part Description	Notes	Qty	Superseded By
1	ELEC-626-4L-KIT	DRIVE MOTOR,24V ELEC,HB,DUM,L	GREY/YEL LEADS	1	
2	ELEC-626-4R-KIT	DRIVE MOTOR,24V ELEC,HB,DUM,R	BLUE/VIOLET LEADS	1	
3	ELEC-627-COVER	COVER,VINYL		2	
4	ELEC-626-3L-KIT	DRIVE MOTOR,24V ELE,HB,EUC	GREY/YEL LEADS	1	
5	ELEC-626-3R-KIT	DRIVE MOTOR,24V ELE,HB,EUC	BLUE/VIOLET LEADS	1	
6	SCREW-2011	5/16-18 X 1 SS CUP PT SET SCRW		2	
7	WHEE-600-1	WHL,10X4 GREY UR KW 1.0		2	
8	HARD-157	KEY,0.25 X 0.25 X 2		2	
9	HARD-021	RET RING 1.0		4	

1.8 | DRIVE SUBPARTS



ELEC-626-3L & ELEC-626-3R



ELEC-626-4L & ELEC-626-4R

Item #	Part Number	Part Description	Notes	Qty	Superseded By
1	ELEC-626-BRSHCP	DRIVE MOTOR BRUSH CAP	EUCLID: HOUSING WITH BLACK STRIP	1	
2	ELEC-626-BRUSH	DRIVE MOTOR BRUSHES	EUCLID: HOUSING WITH BLACK STRIP	1	
3	ELEC-626-3A	DRIVE MOTOR SHAFT SEAL,EUC	EUCLID: HOUSING WITH BLACK STRIP	1	
4	ELEC-626-G	DRIVE MOTOR GEARS,HB,EUC	EUCLID: HOUSING WITH BLACK STRIP	1	
5	ELEC-627-3L	DRIVE MOTOR BRAKE L,HB,EUC	DUMORE: HOUSING ALL SILVER	1	
6	ELEC-627-3R	DRIVE MOTOR BRAKE R,HB,EUC	EUCLID: HOUSING WITH BLACK STRIP	1	
7	ELEC-627-5R	DRIVE MOTOR BRAKE R,HB,DUM	DUMORE: HOUSING ALL SILVER	1	
8	ELEC-626-4C	DRIVE MOTOR GEARBOX,DUM	DUMORE: HOUSING ALL SILVER	1	
9	ELEC-627-5L	DRIVE MOTOR BRAKE L,HB,DUM	DUMORE: HOUSING ALL SILVER	1	
10	ELEC-626-4A	DRIVE MOTOR SHAFT SEAL,DUM	DUMORE: HOUSING ALL SILVER	1	
11	ELEC-626-4B	DRIVE MOTOR HOUSING GASKET,DUM	DUMORE: HOUSING ALL SILVER	1	
12	ELEC-626-4G	DRIVE MOTOR GEARS,HB,DUM	DUMORE: HOUSING ALL SILVER	1	
13	ELEC-626-4BRUSH	BRUSH KIT,DUMORE	DUMORE: HOUSING ALL SILVER	1	

FIGURE 8: Drive Subparts

1.9 | BRAKE SUBPARTS

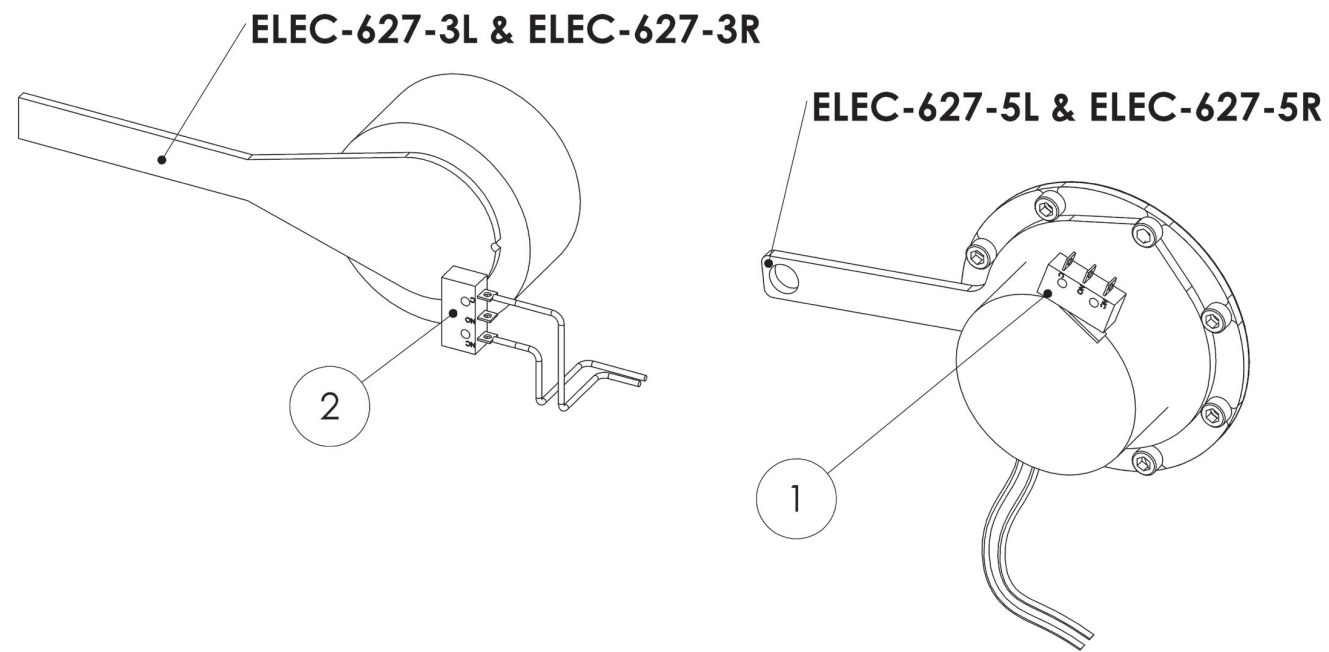


FIGURE 9: Brake Subparts

Item #	Part Number	Part Description	Notes	Qty	Superseded By
1	ELEC-126-7-KIT	SWITCH,LIMIT,STRAIGHT LVR MICR	DUMORE: HOUSING ALL SILVER	1	
2	ELEC-627-4-KIT	SWITCH,LIMIT,BUTTON MICRO	EUCLID: HOUSING WITH BLACK STRIP	1	

1.10 | PUMP PARTS

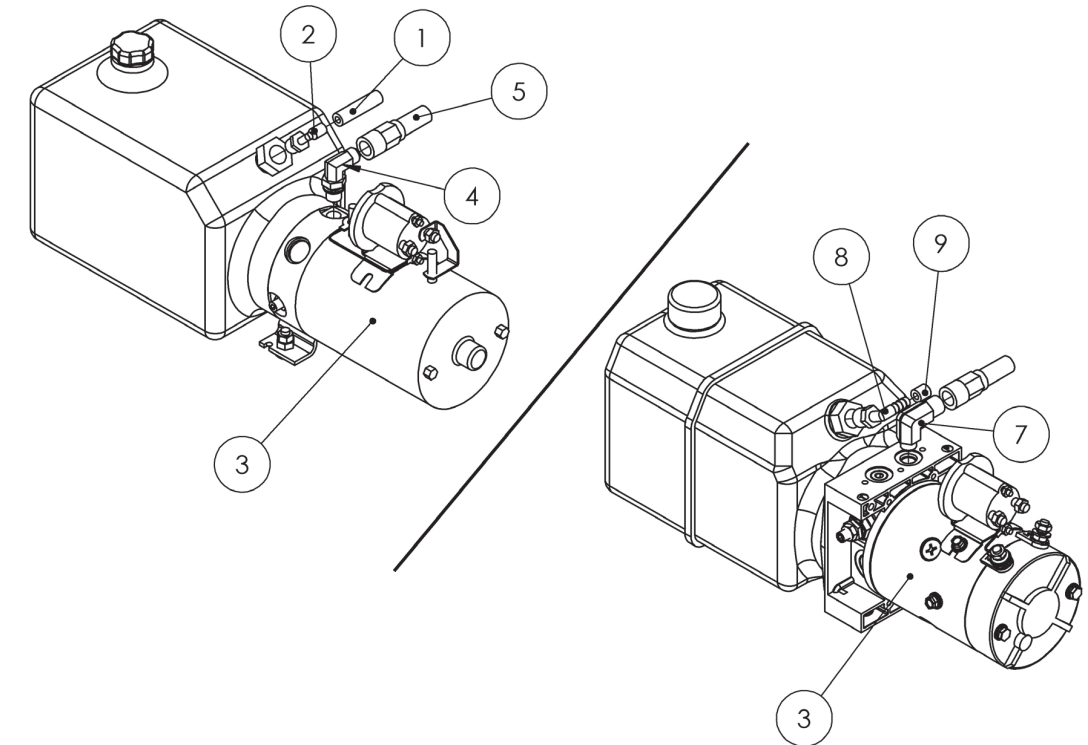
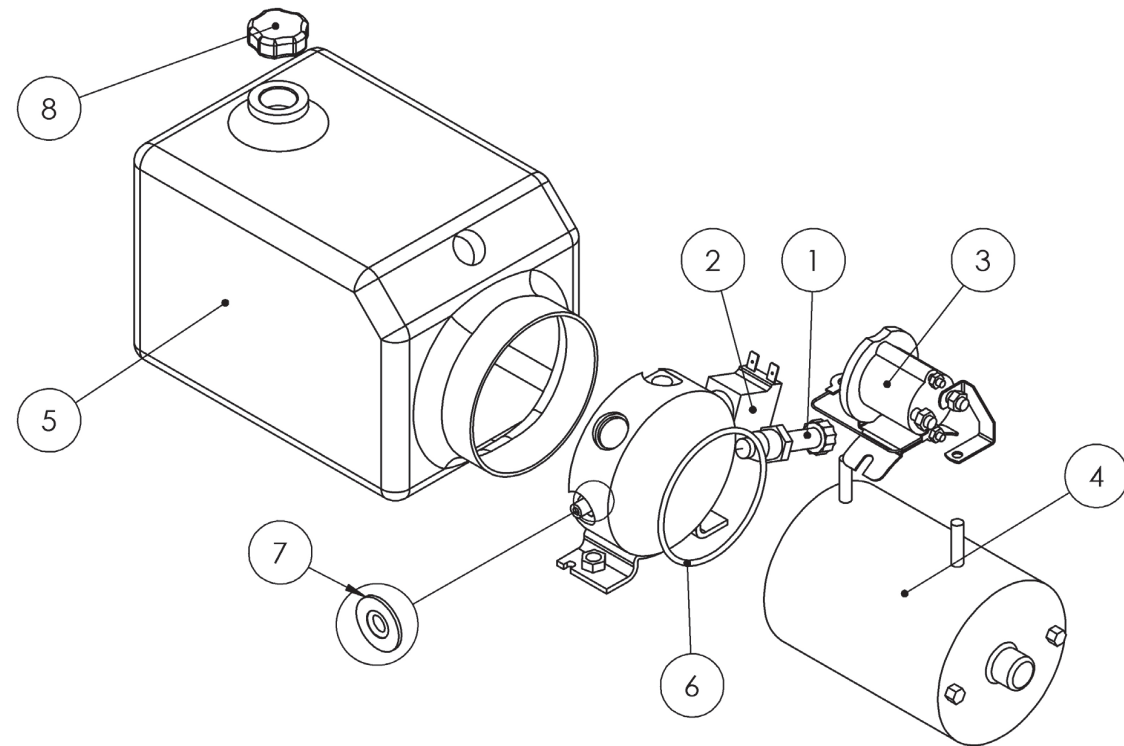


FIGURE 10: Pump Parts

Item #	Part Number	Part Description	Notes	Qty	Superseded By
1	HYDR-022-3	LOW PRESSURE HOSE	Quantity in inches	102	
2	HYDR-019	FITTING,ELB,NPTM 3/8-1/4 PUSH		1	
3	HYDR-050-1E	PUMP,24VDC,0.125,1.15,NA		1	
4	HYDR-035	FITTING,ELB,JICM9/16-SAEORM#6		1	
5	HYDR-600	HOSE ASM,HB-2X		1	
6	HYDR-032	HYDRAULIC OIL	Not available as a replacement part. Replace with Flomite #150, Dexron II, Mobil-DTE 2 or equivalent 32 weight implement oil.	1	
7	HYDR-037	FITTING,ELB,JICM 9/16-NPTM 3/8		1	
8	HYDR-021	FITTING,ELB,NPTM 3/8-1/4 BARB	Superseded;	1	HYDR-019
9	HYDR-022	HYDRAULIC HOSE	Superseded;	0	HYDR-022-3

1.11 | PUMP SUBPARTS



Item #	Part Number	Part Description	Notes	Qty	Superseded By
1	HYDR-665	VALVE,NO,2W/2P,#8,UP		1	
2	HYDR-664	COIL,18V		1	
3	HYDR-666-1	SOLENOID,24V,ISOLATED,SPST		1	
4	HYDR-050-1MOTOR	PUMP MOTOR,24V,0.125 CIR		1	
5	HYDR-067	PUMP RESERVOIR,1.15 GAL		1	
6	HYDR-068	PUMP RESERVOIR O-RING		1	
7	HYDR-667	WASH,0.38 ID,0.75 OD,PRES SEAL		1	
8	HYDR-042	PUMP RESERVOIR CAP		1	
9	HYDR-103	PUMP RESERVOIR,1.0 GAL		1	
10	HYDR-105	PUMP MOTOR,24V,0.132 CIR		1	
11	HYDR-692	SOLENOID,24V,100 AMP		1	

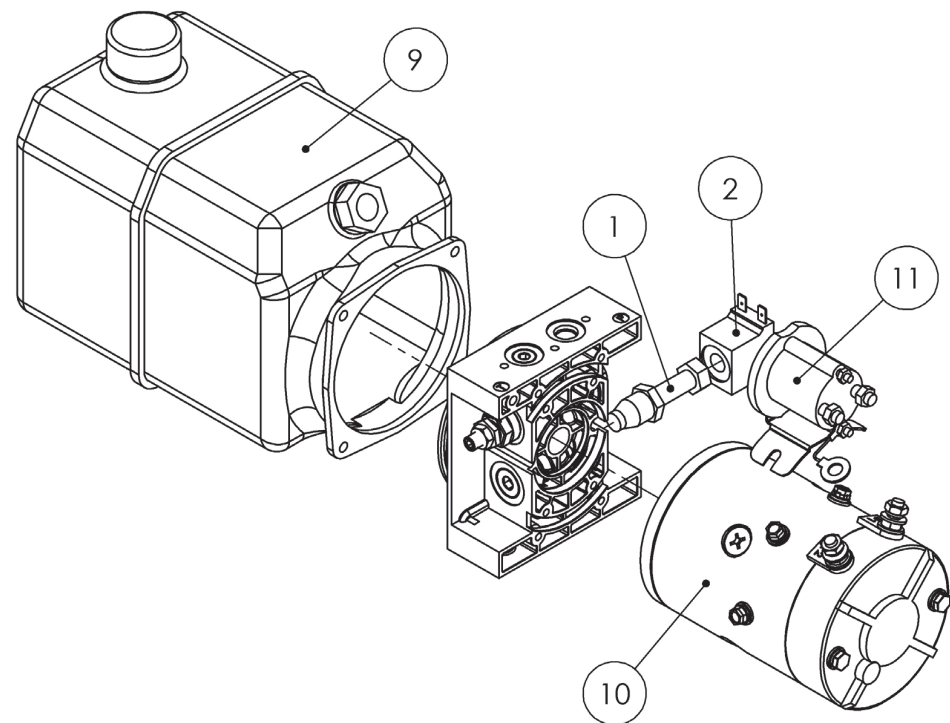
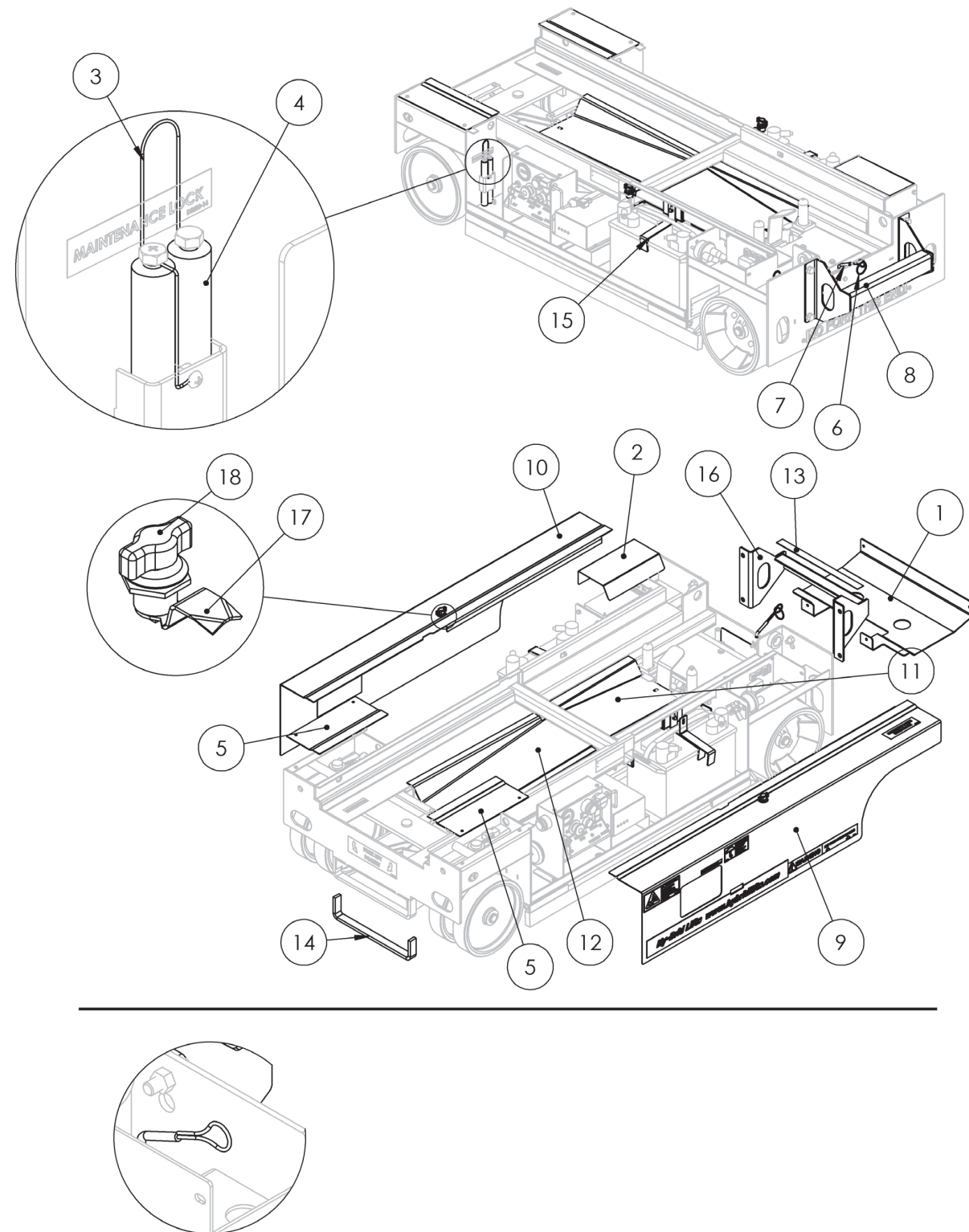


FIGURE 11: Pump Subparts

1.12 | MISCELLANEOUS PARTS



Item #	Part Number	Part Description	Notes	Qty	Superseded By
1	LAS-M088-A	BASE,ROCK SHIELD/DRIVE COVER		1	
2	LAS-M097	DRIP COVER		1	
3	MISC-611	0.05x18.00 LANYARD,COATED STL		1	
4	HB-MLE-P	MAINT LOCK PIN		2	
5	LAS-M026	COVER,BASE STEER TOP		2	
6	HARD-651	1.40 ID,RING		1	
7	HARD-644	LOW FRICTION CABLE, 70/80		1	
8	LAS-M106-1-PC	BRAKE COVER WELDMENT		1	
9	SUB A11-L-2	ASM,COVER,CTL SIDE (1030S1)		1	
10	SUB A11-R-2	ASM,COVER,PUMP SIDE (1030CES1)		1	
11	LAS-M024	COVER,BASE DRAIN PAN REAR		1	
12	LAS-M025	COVER,BASE DRAIN PAN FRONT		1	
13	MISC-030-01-KIT	ANTI-SLIP TAPE,1, 13.75 LENGTH		1	
14	FLAT-024-HB	BASE,FORK POCKET		1	
15	HB-24V-27	BASE,BATT HOLD DOWN	Superseded; Obsolete	0	LAS-M061-KIT
15	LAS-M061-KIT	BASE,BATT HOLD DOWN		2	
16	LAS-M100-E-PC	BASE,ACCESS STEP		1	
17	HARD-633A	0.16 CAM,CABINET LATCH		2	
18	HARD-633B	CABINET LATCH HANDLE		2	

FIGURE 12: Miscellaneous Parts

2.1 | ELECTRICAL PARTS

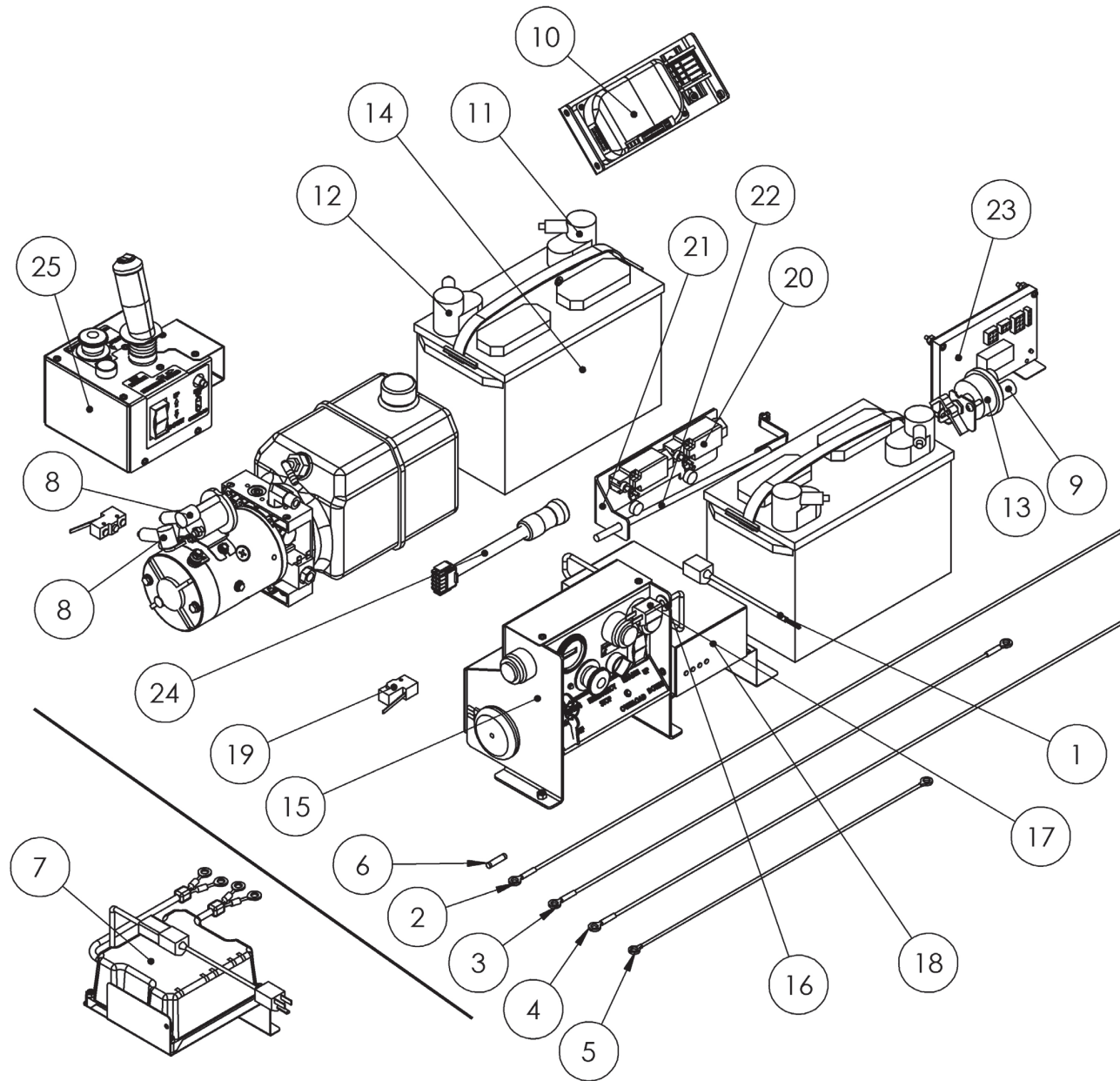


FIGURE 13: Electrical Parts

Item #	Part Number	Part Description	Notes	Qty	Superseded By
1	ELEC-639-25	CORD,NEMA 5-15P/IEC AC,12.0		1	
2	ELEC-641A	CABLE,6GA,BLACK,63,B/B		1	
3	ELEC-641B	CABLE,6GA,RED,34,R/B		1	
4	ELEC-641C	CABLE,6GA,RED,50,B/R		1	
5	ELEC-641E	CABLE,6GA,BLACK,22.00,B/B		1	
6	ELEC-670-2	FUSE 20 AMP AGC		1	
7	ELEC-747-KITB	CHARGER,24V	RETROFIT TO ELEC-747	1	
8	ELEC-634C	TERMINAL COVER (RED)		2	
9	ELEC-634D	TERMINAL BOOT (BLACK)		3	
10	ELEC-902	BOARD,DRIVE CTL (HB1030E)		1	
11	ELEC-634A	BATTERY BOOT (RED)		2	
12	ELEC-634B	BATTERY BOOT (BLACK)		2	
13	ELEC-633-KIT	SWITCH,MASTER DISCONNECT		1	
14	N/A	BATTERY,12V,GR27 DEEP CYCLE	NOT SOLD FOR REPLACEMENT. REPLACE WITH GROUP 27, 12-VOLT DEEP CYCLE OR AGM BATTERY WEIGHING AT LEAST 45 LB.	2	
15	SUB A8E	ASM,CTL LWR HB-1030CE S1		1	
16	HARD-614	RUBBER GROMMET		1	
17	ELEC-639-1	CORD,NEMA 515/IEC C13,12.0		1	
18	ELEC-645	CHARGER, 24V		1	
19	ELEC-624	SWITCH,LIMIT STRAIGHT LEVER		2	
20	ELEC-123-2	SWITCH,LIMIT,ROT LVR,NO/NC PO		2	ELEC-123-5
21	LAS-M122-1-P	BASE,LS MNT BRKT		1	
22	HB-LS-01-KIT	BASE,LS ACTUATOR		1	
23	1020101650	BOARD,LOAD CTL (HBE)		1	
24	SUB A13E	CTL,WIRE HARNESS MAIN HBLGS1CE		1	
25	SUB A9E	ASM,CTL UPR, HB-1030CE S1		1	
26	WD-HBE-R01	WD,HB-1030CE S1	WIRING DIAGRAM	1	
27	WS-HBE	WS,HB-1030CE S1	ELECTRICAL SCHEMATIC	1	

2.2 | MAIN CABLE SUBPARTS

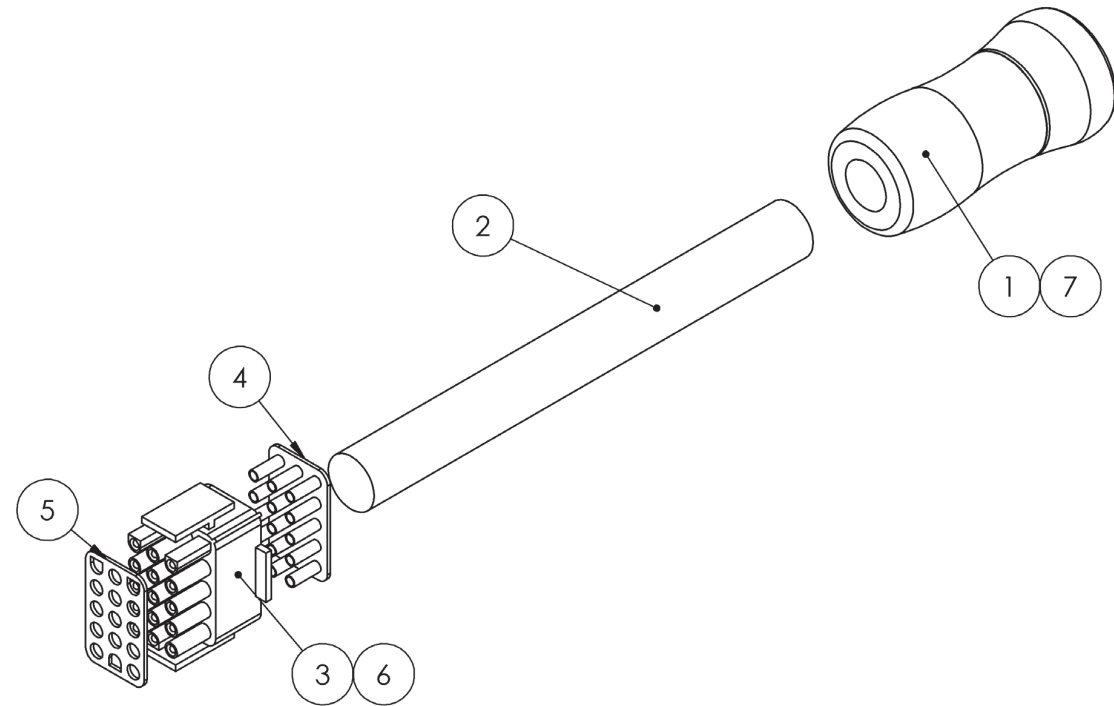


FIGURE 14: Main Cable Subparts

Item #	Part Number	Part Description	Notes	Qty	Superseded By
1	ELEC-696	PLUG,19C,SOURIAU		1	
2	ELEC-698	WIRE,15C,20G		1	
3	ELEC-691	PLUG,15C AMP		1	
4	ELEC-691-2	SEAL,15 PIN,AMP,WIRE		1	
5	ELEC-691-1	SEAL,15C,AMP FLAT		1	
6	ELEC-693-1	CONTACT PIN,20-14 AWG,AMP		15	
7	ELEC-695	CONTACT PIN,20-22 AWG SOURIAU		15	

2.3 | UPPER CONTROL PARTS

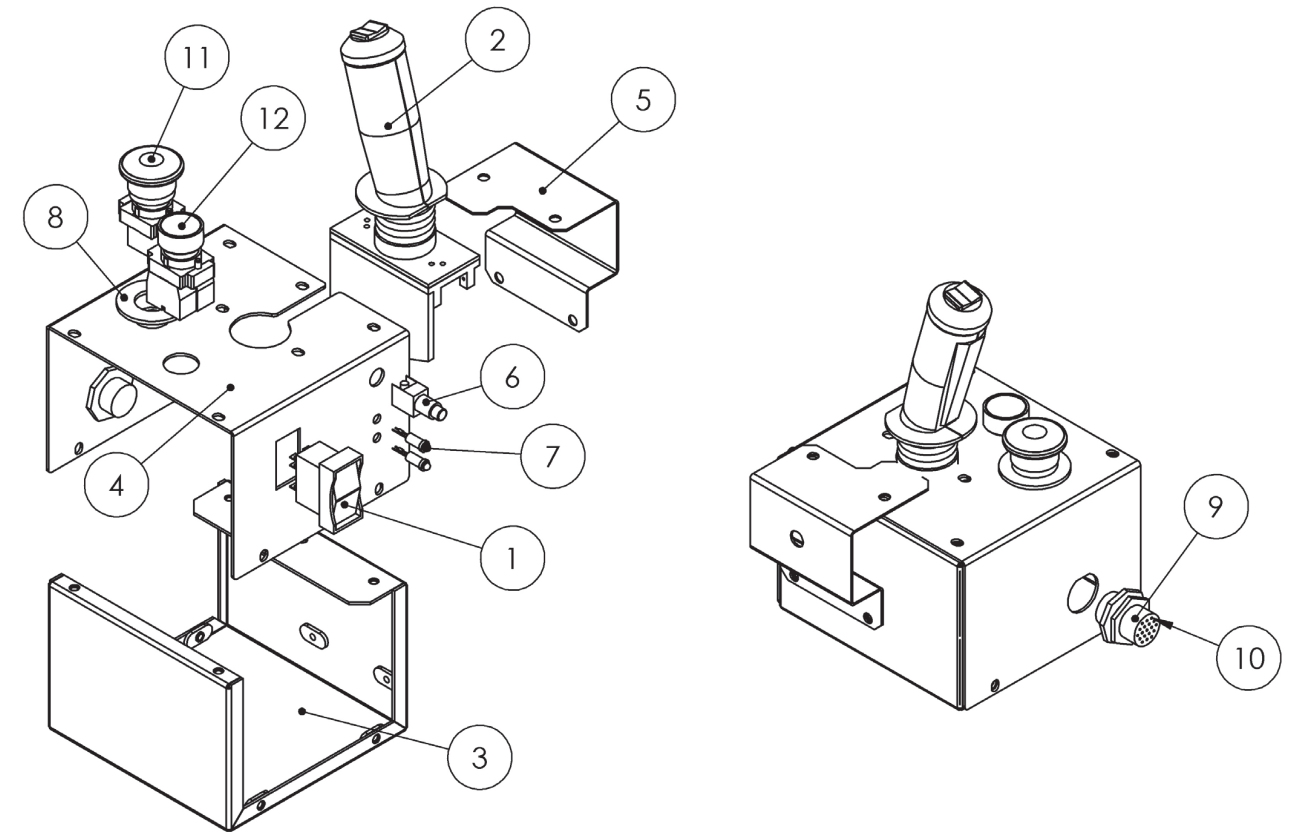


FIGURE 15: Upper Control Parts

Item #	Part Number	Part Description	Notes	Qty	Superseded By
1	ELEC-133B	SWITCH,ROCKER DPDT		1	
2	ELEC-601	JOYSTICK		1	
3	LAS-M086W-PC	CTL BOX, LOWER WLDMNT		1	
4	LAS-M085E-PC	RAIL,CTL BOX UPR-E		1	
5	LAS-M087-PCA	RAIL,CONTROL MNT CHANNEL		1	
6	ELEC-132A	SWITCH,PUSH BUTTON SPST NO		1	
7	ELEC-636	LED, RED		2	
8	ELEC-689	YELLOW LEGEND-ROUND		1	
9	ELEC-697	SOCKET,19C,SOURIAU PANEL MNT		1	
10	ELEC-694	CONTACT SOCKET,20-22 AWG SOU		15	
11	ELEC-071-KIT	EMERGENCY STOP BUTTON		1	
12	ELEC-602-KIT2	BUTTON,PUSH GREEN		1	
13	WD-SUB A9E	WD,HB-1030CE S1	WIRING DIAGRAM	1	

2.4 | LOWER CONTROL PARTS

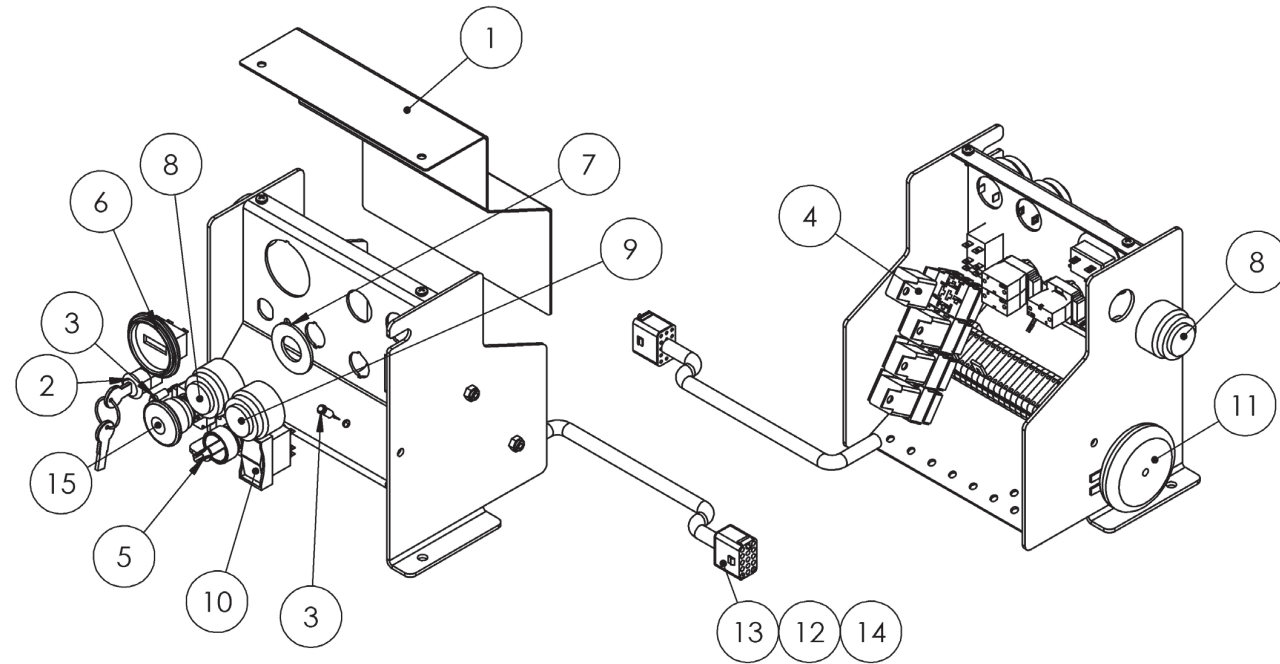


FIGURE 16: Lower Control Parts

Item #	Part Number	Part Description	Notes	Qty	Superseded By
1	LAS-M079	CONTROL PANEL COVER		1	
2	ELEC-073B	SWITCH,KEY SPST		1	
3	ELEC-636	LED, RED		2	
4	ELEC-631	RELAY,SPDT,ICE CUBE,24V DC		4	
5	ELEC-002C-KIT	SWITCH,ROTARY MAINTAINED		1	
6	ELEC-610	METER,HOUR & VOLT	Superseded;	1	ELEC-610-1-KIT
6	ELEC-610-1-KIT	METER,HOUR		1	
7	ELEC-689	YELLOW LEGEND-ROUND		1	
8	ELEC-635-1	ALARM-FAST PULSE		2	
9	ELEC-635	ALARM,SLOW PULSE		1	
10	ELEC-133B	SWITCH,ROCKER DPDT		1	
11	ELEC-644	HORN		1	
12	ELEC-691-2	SEAL,15 PIN,AMP,WIRE		1	
13	ELEC-692	SOCKET,15C,AMP		1	
14	ELEC-693-2	CONTACT RECEPTACLE,20-14GA AMP		15	
15	ELEC-071-KIT	EMERGENCY STOP BUTTON		1	
16	WD-SUB A8E	WD,HB-1030CE S1	WIRING DIAGRAM	1	

2.5 | JOYSTICK SUBPARTS

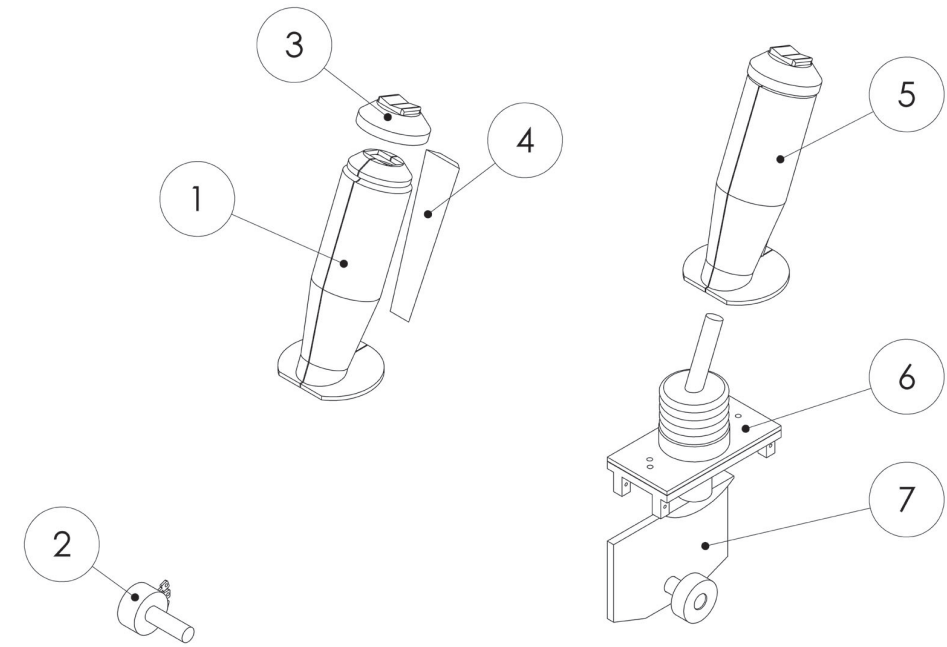


FIGURE 17: Joystick Subparts

Item #	Part Number	Part Description	Notes	Qty	Superseded By
1	ELEC-601-1	JOYSTICK HANDLE-LEFT & RIGHT		1	
2	ELEC-601-2	JOYSTICK POTENTIOMETER		1	
3	ELEC-601-4	JOYSTICK RUBBER BOOT ROCKR CAP		1	
4	ELEC-601-5	JOYSTICK-RED ENABLER TRIGGER		1	
5	ELEC-601-A	JOYSTICK HANDLE ASSEMBLY		1	
6	ELEC-601-B	JOYSTICK SHAFT ASSEMBLY		1	
7	ELEC-601-C	JOYSTICK POT & GEAR ASM		1	

2.6 | MASTER POWER SWITCH SUBPARTS

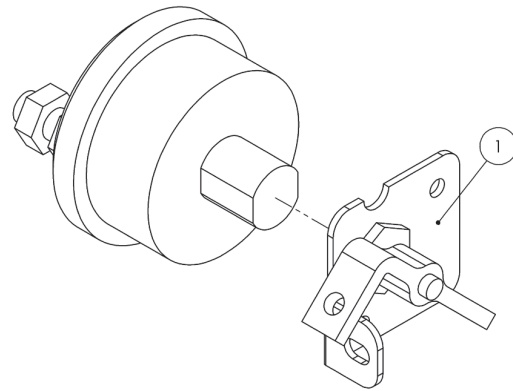


FIGURE 18: Master Power Switch Subparts

Item #	Part Number	Part Description	Notes	Qty	Superseded By
1	ELEC-633-1	SWITCH,LOCKOUT LEVER KIT		1	

2.7 | KEY SWITCH SUBPARTS

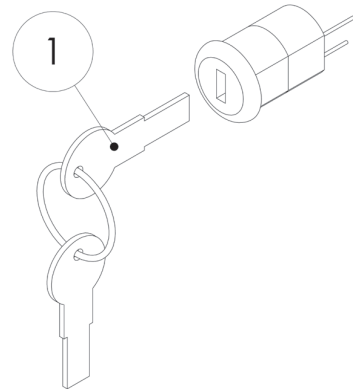


FIGURE 19: Key Switch Subparts

Item #	Part Number	Part Description	Notes	Qty	Superseded By
1	ELEC-073C	SWITCH KEYS,SPARE-SET OF 2		1	

THIS PAGE WAS INTENTIONALLY LEFT BLANK

3.1 | SCISSORS PARTS

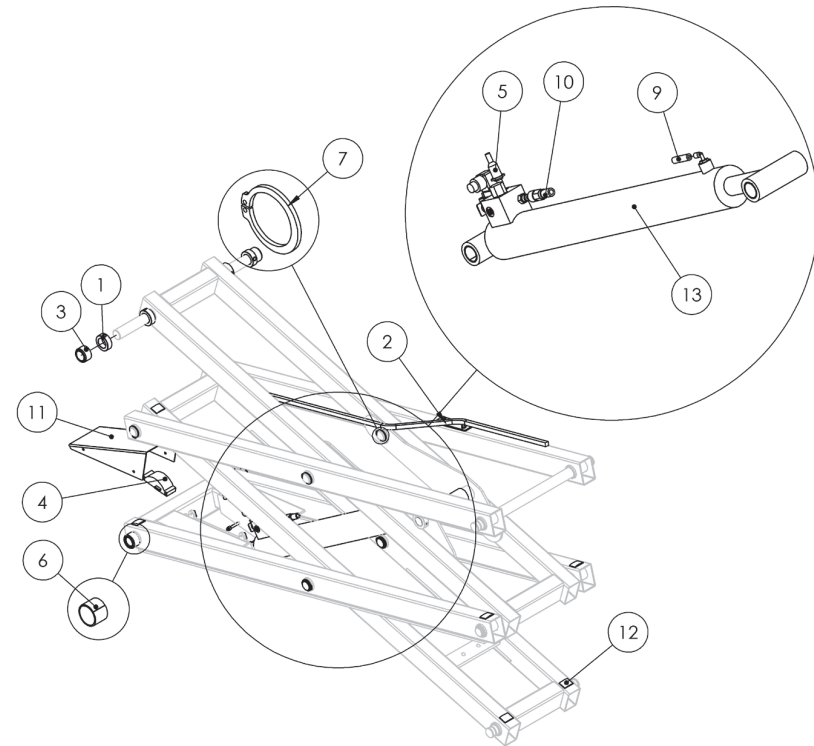


FIGURE 20: Scissors Parts

Item #	Part Number	Part Description	Notes	Qty	Superseded By
1	1021000102	1.25X2.00X0.69 SHAFT COLLAR		4	
2	112-03-001-01	SCISSOR,CONDUIT UPR		1	
3	BM-6006-1-KIT	ASM,ROLLER,1.00 W/DU		4	
4	ELEC-647	SENSOR,ANGLE		1	
5	ELEC-648	SENSOR,PRESSURE		1	
6	HARD-001	1.25X1.00 SLEEVE BEARING,PTFE		1	
7	HARD-022	1.25 RETAINING RING,EXT		12	
8	HB-BM-01-EC	SCISSOR,CONDUIT UPR	Superseded;	1	112-03-001-01
9	HYDR-022-3	LOW PRESSURE HOSE	Quantity in inches	102	
10	HYDR-600	HOSE ASM,HB-2X		1	
11	LAS-M096-1-PC	COVER,CYLINDER		1	
12	MISC-007-01-KIT	1 3/8 MOLDING BOND		8	
13	SUB A7E-KIT	ASM,SCISSOR CYL 2XE		1	
14	LAS-L055	SCISSOR,CONDUIT UPR	Superseded;	1	112-03-001-01
15	LAS-M055	SCISSOR,CONDUIT UPR	Superseded;	1	112-03-001-01

3.2 | CYLINDER SUBPARTS

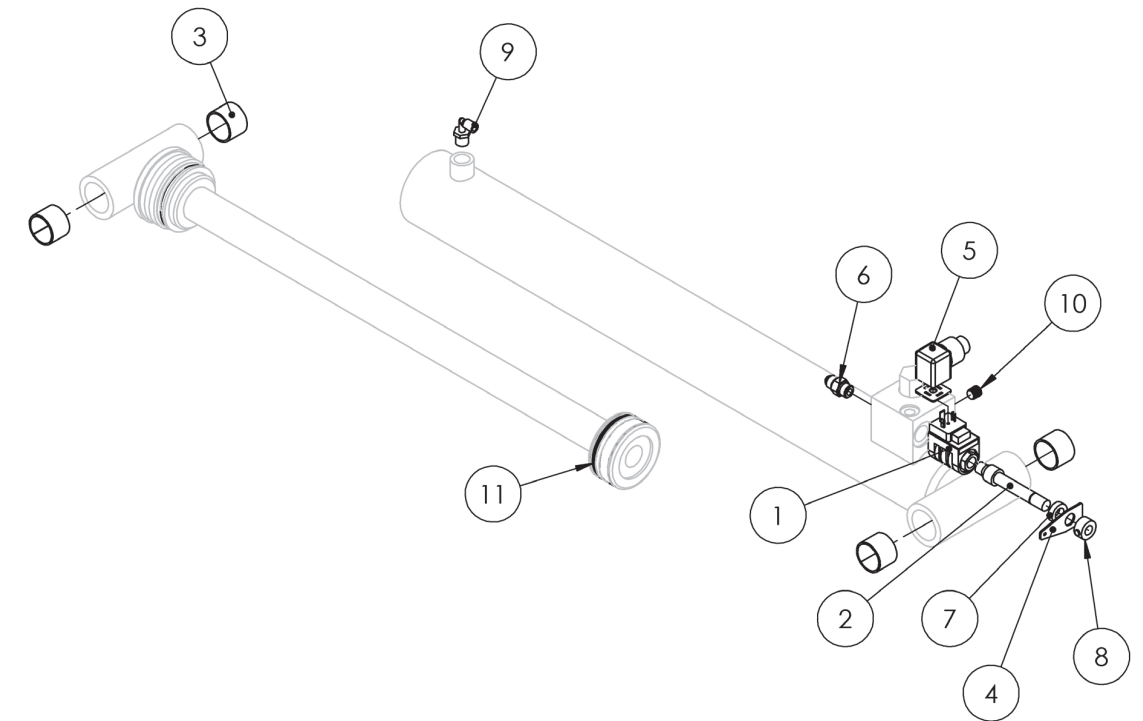


FIGURE 21: Cylinder Subparts

Item #	Part Number	Part Description	Notes	Qty	Superseded By
1	HYDR-007-2E-1	COIL,24V,HC	Superseded;	0	HYDR-007-2E-KIT
2	HYDR-007-2E-2	VALVE,NC,2W/2P,#8,DWN,PULL,PAR	Superseded;	0	HYDR-007-2E-KIT
3	HARD-001	1.25X1.00 SLEEVE BEARING,PTFE		4	
4	LAS-M115	SCISSOR,PLATE E-DOWN ACT		1	
5	HYDR-044-FL1	HIRSCHMANN CONNECTOR		1	
6	HYDR-604	FITTING,STR,SAEOR M#6-JIC M3/8		1	
7	WHEE-605-P	0.50X0.89X0.25 SPACER		1	
8	HARD-650	0.44X0.88X0.44 SHAFT COLLAR		1	
9	HYDR-019	FITTING,ELB,NPTM 3/8-1/4 PUSH		1	
9	HYDR-020	FITTING,ELB,NPTM 1/4-1/4 BARB	Used until mid-2008	1	
9	HYDR-021	FITTING,ELB,NPTM 1/4-1/4 BARB	Superseded; Obsolete-Replace fitting & return line	0	HYDR-019
10	HARD-669	PLUG,SAEORM #4,HEX SOCKET 3/16		1	
11	HYDR-007-1-SK	CYL SEAL KIT		1	
12	HYDR-007-2E-KIT	2-WAY NC LOWERING VALVE		1	

SECTION 4 | PLATFORM & RAILS

SECTION 4 | PLATFORM & RAILS

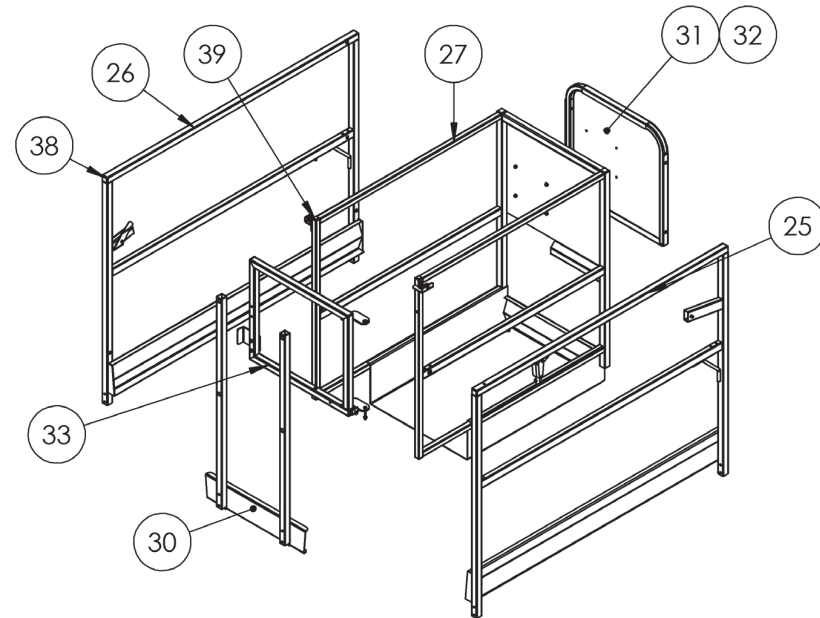
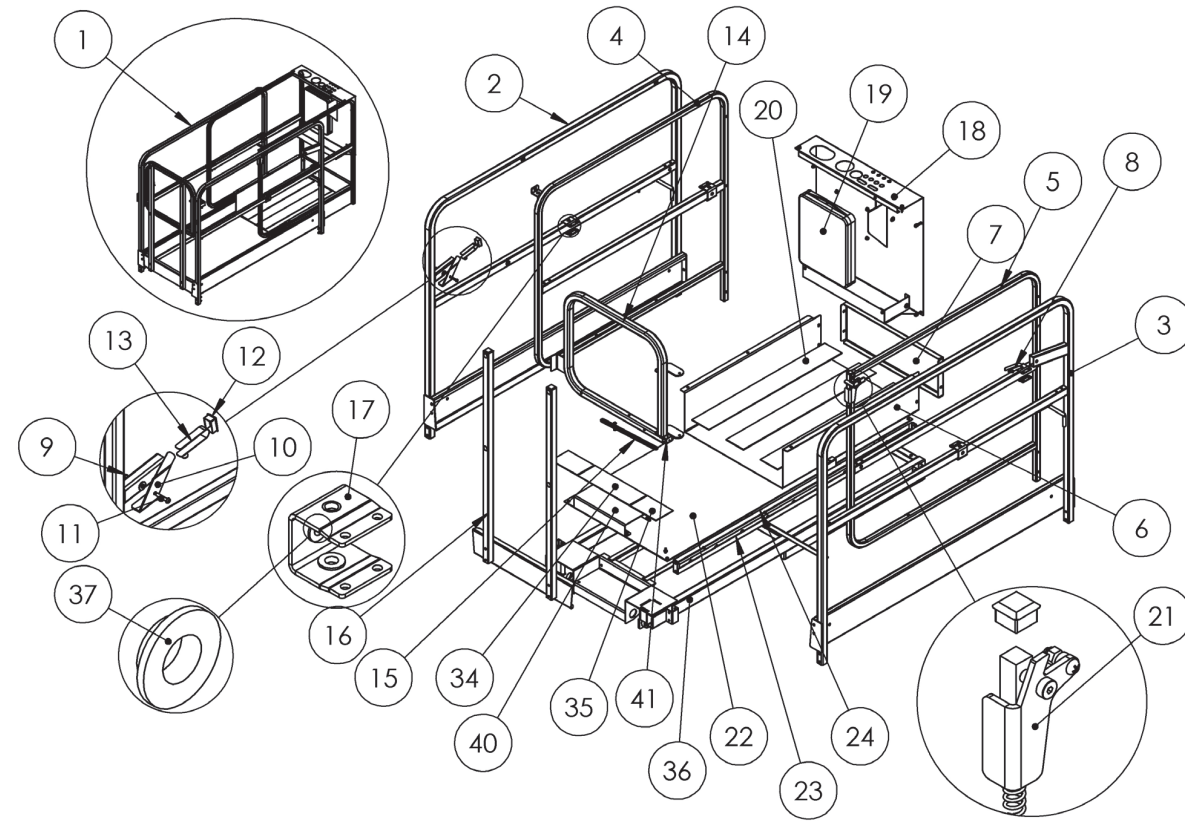


FIGURE 22: Platform & Rails

Item #	Part Number	Part Description	Notes	Qty	Superseded By
1	112-21-203-51-K	ASM,RAIL W/SO,RND		1	
1	SUB C3E	ASM,RAIL W/SO, E	Superseded;	0	112-21-203-51-K
2	HB-WC-L-01-PC	RAIL,WC L,E (RND)		1	
3	HB-WC-R-03-PC	RAIL,WC R,E (RND)		1	
4	HB-WC-SO-03L-PC	RAIL,SO L,E (RND)		1	
5	HB-WC-SO-03R-PC	RAIL,SO R,E (RND)		1	
6	LAS-M134-PC	RAIL,SO FLOOR E		1	
7	LAS-M136-PC	RAIL,SO TOE BOARD E		1	
8	HARD-067	0.38SNAP BUTTON,SINGLE END		1	
9	SCREW-1100	10-24 X 0.50 PAN HEAD SCRW		1	
10	LAS-M089-PC	RAIL,GATE LATCH		1	
11	HARD-649	0.25 X 1.25 BARREL SCRW,10-24		1	
12	HARD-634	PLUG,1.00X1.50,BLACK		1	
13	HARD-066	0.50 SNAP BUTTON,SINGLE END		1	
14	HB-WC-G-01-PC	RAIL,GATE		1	
15	HARD-606-1	0.19X12.5 ORING		1	
16	1002100691-KIT	ASM,GATE TOE BOARD		1	
17	LAS-M078-1-KIT	ASM,RAIL SLIDE CHNL W/WASHERS		4	
18	112-21-211-50-K	ASM,RAIL TOOL TRAY		1	
19	HARD-603	MANUAL BOX		1	
20	MISC-031-01-KIT	ANTI-SLIP TAPE,4.00,31.00 LENG		3	
21	1002100692-KIT	ASM,RAIL SLIDE LOCK		1	
22	HB-AL	PF,DECK		1	
23	112-04-010-01	PF,CONDUIT CHANNEL LOWER		1	
24	112-04-011-01	PF,CONDUIT CHANNEL UPPER		1	
25	HB-WC-R	RAIL,WC R,E (SQR)	Superseded;	1	112-21-203-51-K
25	SUB C3-3-R	RAIL,WC R,E	Superseded;	0	112-21-203-51-K
26	HB-WC-L	RAIL,WC L,E (SQR)	Superseded;	1	112-21-203-51-K
26	SUB C3-3-L	RAIL,WC L,E (RND)	Superseded;	0	112-21-203-51-K
27	HB-WC-SO	RAIL,SO WLDMNT,E (SQR)	Superseded;	1	112-21-203-51-K
28	HARD-626	0.38X0.50X0.19 SLD WASH,NYL W	Superseded;	26	HARD-626-3
30	HB-WC-G-E	RAIL,GATE TOE BOARD	Superseded;	1	1002100691-KIT
31	LAS-M132-PC	RAIL,SO FRONT PANEL	Superseded;	1	112-21-211-50-K
32	CUT-M038-PC	RAIL,SO PANEL TUBE		1	
33	HB-WC-G	RAIL,GATE (SQR)	Superseded;	1	HB-WC-G-KIT
33	HB-WC-G-KIT	RAIL,GATE (SQR)		1	
34	MISC-031-02-KIT	ANTI-SLIP TAPE,4.00,12.00 LENG		1	
35	MISC-031-03-KIT	ANTI-SLIP TAPE,4.00,6.00 LENG		2	
36	HB-P-PC	PF,WLDMNT		1	
37	HARD-626-3	0.38X0.50C.0.19 SHLD WASH,NYL B		1	
38	HARD-091	PLUG,1.25 SQR,BLACK,RIBBED		1	
39	HARD-092	PLUG,1 SQR,BLACK		1	
40	LAS-M101-E-1-PC	PF,STEP POCKET		1	
41	LAS-M107-PC	RAIL,GATE RETENTION		1	

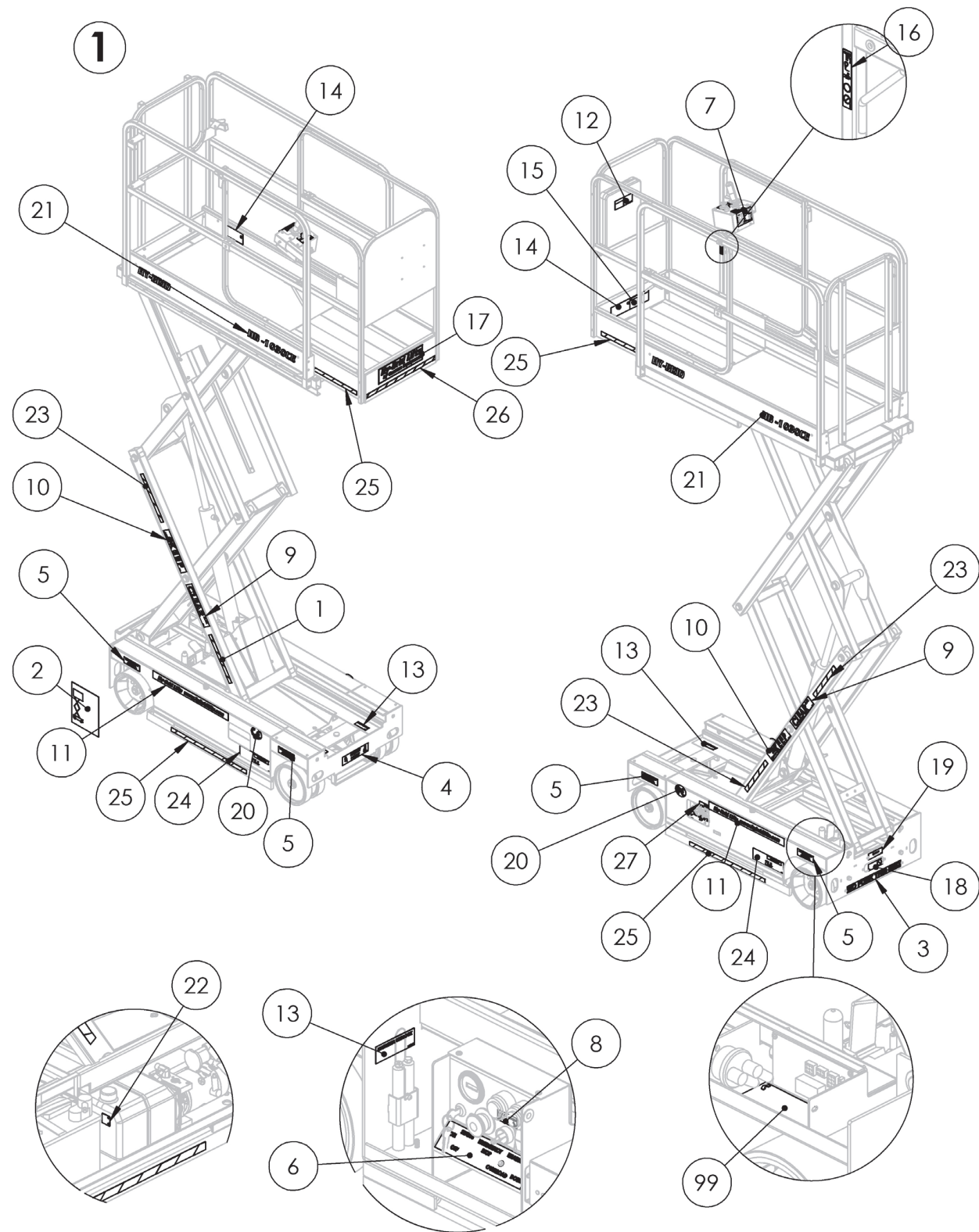
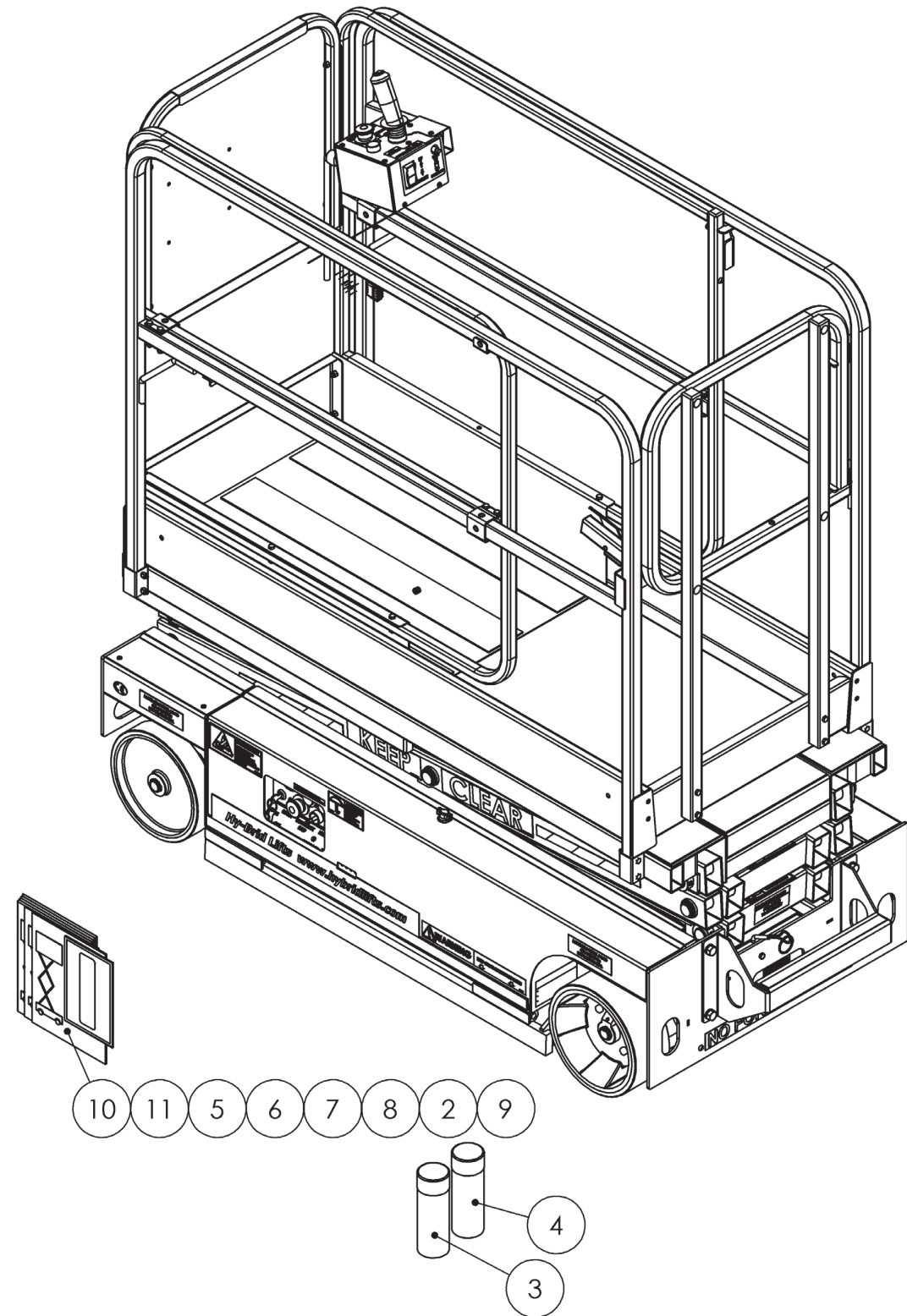


FIGURE 23: Decals

Item #	Part Number	Part Description	Notes	Qty	Superseded By
1	DE600-K53	DECALS,HB-1030CE S1 KIT		1	
2	SUPO-655	MANUAL ADDENDUM,HB S2CE DECALS		1	
3	DE611	DECAL,NO FORK		1	
4	DE600-12	FORK POCKET DECAL		1	
5	DE600E-24	DECAL,WHEEL LOAD HB-1030CE S1		4	
6	DE600E-19	DECAL,CTL LWR (CE S1)		1	
7	DE-604E	DECAL,UPR CTL (E)		1	
8	DE614	DECAL,SELECTOR SWITCH		1	
9	DE708	DECAL,CLEAR		2	
10	DE707	DECAL,KEEP		2	
11	DE822	DECAL,WEBSITE	Superseded;	2	DE822
12	DE600E-10	DECAL,MANUAL BOX		1	
13	DE600E-14	DECAL,MAINT LOCK		3	
14	DE732	DECAL,CAPACITY,750#,2P,I,W/SO		2	
15	DE706	DECAL,UPR HB		1	
16	DE746	DECAL,LANYARD ATTACHMENT		1	
17	DE821	DECAL,LOGO HY-BRID		1	
18	DE747	DECAL,BRAKE RELEASE/NO TOW		1	
19	DE751	DECAL,E-DOWN CABLE		1	
20	DE718	DECAL,CE		2	
21	DE603-10	DECAL,MODEL HB-1030CE		2	
22	DE679	DECAL,HYDR FLUID		1	
23	DE717-62	DECAL,SAFETY STRIPE (12.00)		4	
24	DE709	DECAL, LWR		2	
25	DE717-61	DECAL,SAFETY STRIPE (24.00)		4	
26	DE717-63	DECAL,SAFETY STRIPE (22.25)		1	
27	DE752	DECAL,CHARGER CORD (EU)		1	
28	DE600E	KIT,DECALS HB1030/1430 S1	Superseded; Obsolete	2	DE600-K53
29	DE600-01	DECAL,WARNING	Superseded;	1	DE706
30	DE600-03	DECAL,CAPACITY 750#,2P,I, W/SO	Superseded;	1	DE732
31	DE600-04	DECAL,PLAT EXT & GATE	Superseded;	1	DE706
32	DE600-05	DECAL,DANGER TIP	Superseded; Obsolete	1	DE600E-05
33	DE600-06	DECAL,TIRE REPLACEMENT	Superseded;	1	DE709
34	DE600-07	DECAL,DO NOT POWERWASH	Superseded;	1	N/A
35	DE600-09	DECAL, ELECTROCUTION HAZARD	Superseded;	1	DE706
36	DE600-10	DECAL,MANUAL BOX	Superseded;	1	DE600E-10
37	DE600-14	DECAL,MAINT LOCK	Superseded;	1	DE600E-14
38	DE600-15	DECAL,E-DOWN LOCATION	Superseded; E52020-E52022	1	DE600-28
39	DE600-16A	DECAL,KEEP	Superseded;	1	DE707

40	DE600-16B	DECAL,CLEAR	Superseded;	1	DE708
41	DE600-17	DECAL,SAFETY STRIPE (12.00)	Superseded;	1	DE717-62
42	DE600-18	DECAL,BATT WEIGHT	Superseded;	1	DE600E-18
43	DE600-21	DECAL,BRAKE RELEASE/NO TOW	Superseded;	1	DE747
44	DE600-22	DECAL,BRAKE RELEASE/NO TOW	Superseded;	1	DE747
45	DE600E-02	DECAL,DANGERS INDOOR ONLY	Superseded;	1	DE600-02-KIT
46	DE600E-05	DECAL,DANGER TIP	Superseded;	1	DE706
47	DE600E-06	REPLACE OEM ONLY DECAL	Superseded;	1	DE709
48	DE600E-11	DECAL,E-DOWN PULL CABLE	Superseded;	1	DE751
49	DE600E-18	DECAL,BATT WEIGHT	Superseded;	1	DE709
50	DE600E-20	DECAL,CRUSHING HAZARD		1	
51	DE600E-25	DECAL,CHARGER	Superseded;	1	DE752
52	DE600E-26	DECAL,MAINT LOCK USE	Superseded;	1	DE708
53	DE600E-27	DECAL,HYDR FLUID	Superseded;	1	DE679
54	DE821	DECAL,LOGO HY-BRID		1	
55	DE822	DECAL,WEBSITE		1	
56	DE600-02-KIT	DECAL,DANGERS RETROFIT,10/14		1	
57	DE600-02-KIT-50	DECAL,DANGERS RETROFIT,1030		1	
58	DE601	DECAL,LOGO HY-BRID	Superseded;	1	DE821
59	DE608	DECAL,WWW.HYBRIDLIFTS	Superseded;	1	DE652
60	DE609	DECAL,HYBRID LIFTS	Superseded;	1	DE652
61	DE610	DECAL,CUSTOM EQUIPMENT LOGO	Superseded;	1	DE652
62	DE612	DECAL,PH WARNING	Superseded; Obsolete	1	DE626
63	DE613	DECAL,LANYARD ATTACHMENT	Superseded;	1	DE746
64	DE615	DECAL,CE	Superseded;	1	DE718
65	DE626	DECAL,PH WARNING	Superseded;	1	DE709
66	DE649	DECAL,CAPACITY, TOOL TRAY	Not used unless tool tray option installed	1	
67	DE652	DECAL,WEBSITE	Superseded;	1	DE822
99	N/A	SERIAL NUMBER PLATE			

THIS PAGE WAS INTENTIONALLY LEFT BLANK



Item #	Part Number	Part Description	Notes	Qty	Superseded By
1	HS-HBCE	HYDR SCH,HBLG CE		1	
2	MISC-600	MANUAL,AERIAL PF		1	
3	MISC-624	PAINT,WHITE TOUCH-UP SPRAY		1	
4	MISC-625	PAINT,YELLOW TOUCH-UP SPRAY		1	
5	SUPO-602E	MANUAL,OP&MAINT HBE S1		1	
6	SUPO-602EDUT	MANUAL,OP&MAINT HBE S1,DU		1	
7	SUPO-602EFRC	MANUAL,OP&MAINT HBE S1,FR		1	
8	SUPO-602EGER	MANUAL,OP&MAINT HBE S1 GR		1	
9	SUPO-607A	DOCUMENT,CE DECL HB-1030CES2		1	
10	SUPO-655	MANUAL ADDENDUM,HB S2CE DECALS		1	
11	SUPO-733	MANUAL,PARTS HB-1030CE S1		1	

FIGURE 24: Options & Miscellaneous

HY-BRID LIFTS™

BY CUSTOM EQUIPMENT LLC

Self-Propelled Aerial Work Platform
Parts Manual
HB-1030CE

© 2018 Custom Equipment, LLC
2647 Highway 175
Richfield, WI 53076
U.S.A.
Tel. +1-262-644-1300
Fax: +1-262-644-1320
www.hybridlifts.com
Service@Customequipmentlifts.com

"Hy-Brid Lifts" is a trademark of Custom Equipment, LLC.
These machines comply with specified EN 280 requirements

Revision Date: April 2018

Printed In The USA