

# PARTS MANUAL

SERIAL NO. \_\_\_\_\_

# ZT-1230 ZT-1630



## ZERO- TURN SERIES

MOBILE  
ELEVATING  
WORK  
PLATFORMS

ANSI A92.20  
CSA B354.6:17

ZT5.0-P | REV D



To view machine specific information on your mobile device, scan the code to the left.

Decals with this code can also be found on the manual box and base of the machine.

**This manual refers to serial number(s):**

**ZT-1230** ZT12-50001 -  
**ZT-1630** ZT16-50001 -

**For older Serial Numbers refer to our website:**

[www.hybridlifts.com/Manuals.htm](http://www.hybridlifts.com/Manuals.htm)

Original instructions written in English.

The serial number is located above the control side caster. An additional reference is on the platform above the manual box.

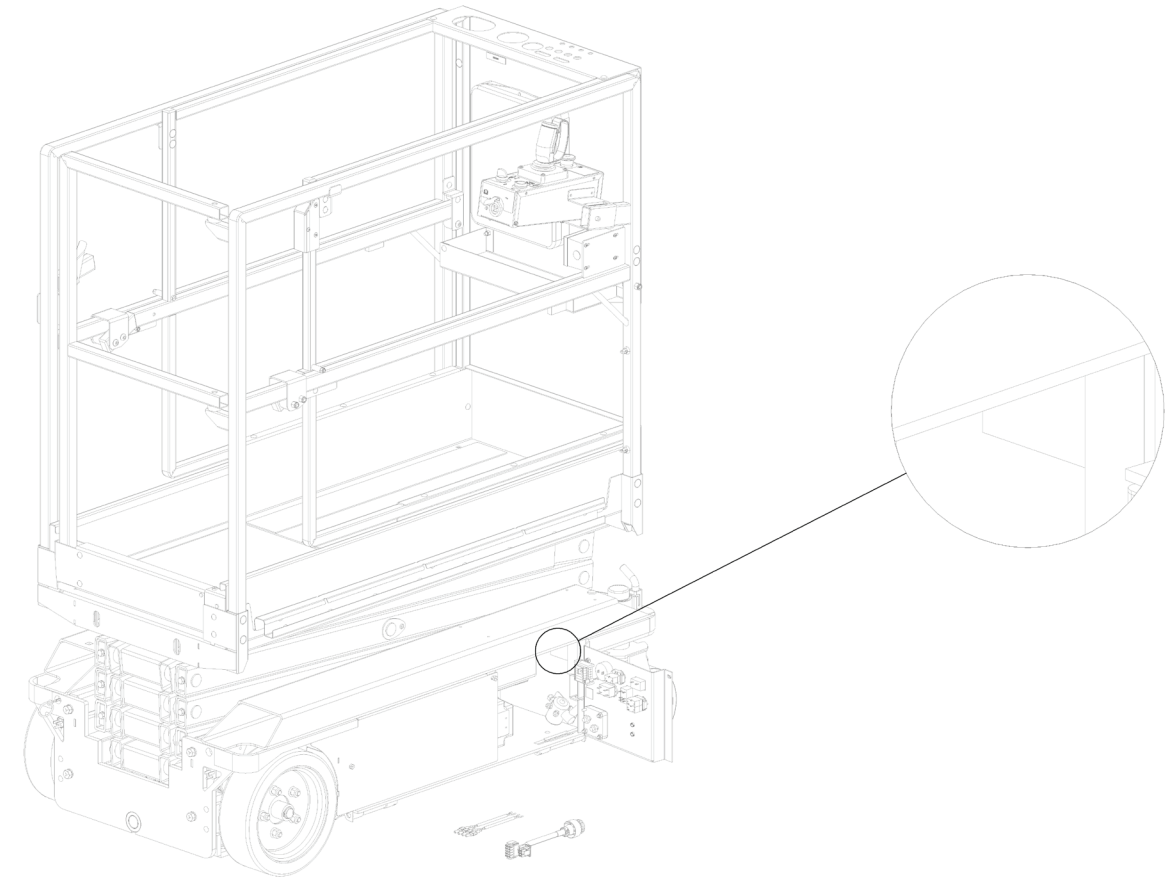


FIGURE 1: Serial Number Location

**General Information**

2647 Hwy 175  
Richfield, WI 53076  
U.S.A.

+1-262-644-1300  
+1-262-644-1320  
[www.hybridlifts.com](http://www.hybridlifts.com)

**Service Information**

+1-262-297-5195  
[webservice@hybridlifts.com](mailto:webservice@hybridlifts.com)

**Parts Information**

+1-262-297-5196  
[webparts@hybridlifts.com](mailto:webparts@hybridlifts.com)

**Register your Hy-Brid Lift at:**  
[www.hybridlifts.com/RegisterOnline.htm](http://www.hybridlifts.com/RegisterOnline.htm)

**Register your Hy-Brid Lift to:**

- Recieve product updates and recalls
- Recieve service bulletins, product and part recalls, and other important notifications
- Comply with ANSI A92.20 Standards
- Provide better records for service

**! WARNING**

**REGISTERING YOUR MEWP WITH THE MANUFACTURER IS AN ANSI A92.20 REQUIREMENT.**

**FOREWORD** ..... **3**

**TABLE OF CONTENTS** ..... **4**

**SECTION 1 BASE** ..... **6**

1.1 | POTHOLE GUARD PARTS ..... 6

1.2 | CASTER PARTS ..... 7

1.3 | CASTER SUBPARTS ..... 8

1.4 | REAR WHEEL PARTS ..... 9

1.5 | DRIVE PARTS ..... 10

1.6 | PUMP PARTS ..... 11

1.7 | PUMP SUBPARTS ..... 12

1.8 | MISCELLANEOUS BASE PARTS ..... 13

**SECTION 2 CONTROLS** ..... **14**

2.1 | CONTROL PARTS ..... 14

2.2 | MAIN CABLE PARTS ..... 16

2.3 | UPPER CONTROL PARTS ..... 17

2.4 | LOWER CONTROL PARTS ..... 18

2.5 | MASTER POWER SWITCH ..... 19

**SECTION 3 SCISSORS** ..... **20**

3.1 | SCISSOR PARTS ..... 20

3.2 | CYLINDER SUBPARTS ..... 21

**SECTION 4 PLATFORM & RAILS** ..... **22**

4.1 | PLATFORM & RAILS PARTS ..... 22

**SECTION 5 DECALS** ..... **26**

5.1 | ZT-1230 DECALS ..... 26

5.2 | ZT-1630 DECALS ..... 28

**SECTION 6 OPTIONS & MISCELLANEOUS** ..... **30**

6.1 | OPTIONS ..... 30

**NOTES** ..... **32**

**INDEX OF FIGURES**

FIGURE 1: Serial Number Location ..... 3

FIGURE 2: Pothole Guard Parts ..... 6

FIGURE 3: Caster Parts ..... 7

FIGURE 4: Caster Subparts ..... 8

FIGURE 5: Rear Wheel Parts ..... 9

FIGURE 6: Drive Parts ..... 10

FIGURE 7: Pump Parts ..... 11

FIGURE 8: Pump Subparts ..... 12

FIGURE 9: Miscellaneous Base Parts ..... 13

FIGURE 10: Controls/Electrical Parts ..... 14

FIGURE 11: Main Cable Parts ..... 16

FIGURE 12: Upper Control Parts ..... 17

FIGURE 13: Lower Control Parts ..... 18

FIGURE 14: Master Power Switch ..... 19

FIGURE 15: Scissor Parts ..... 20

FIGURE 16: Cylinder Subparts ..... 21

FIGURE 17: Platform & Rail Parts ..... 22

FIGURE 18: ZT-1230 Decals ..... 26

FIGURE 19: ZT-1630 Decals ..... 28

FIGURE 20: Options & Miscellaneous Parts ..... 30

**REVISION LOG:**

REV A ..... September 2020

REV B ..... June 2021

REV C ..... December 2021

REV D ..... May 2022

1.1 | POTHOLE GUARD PARTS

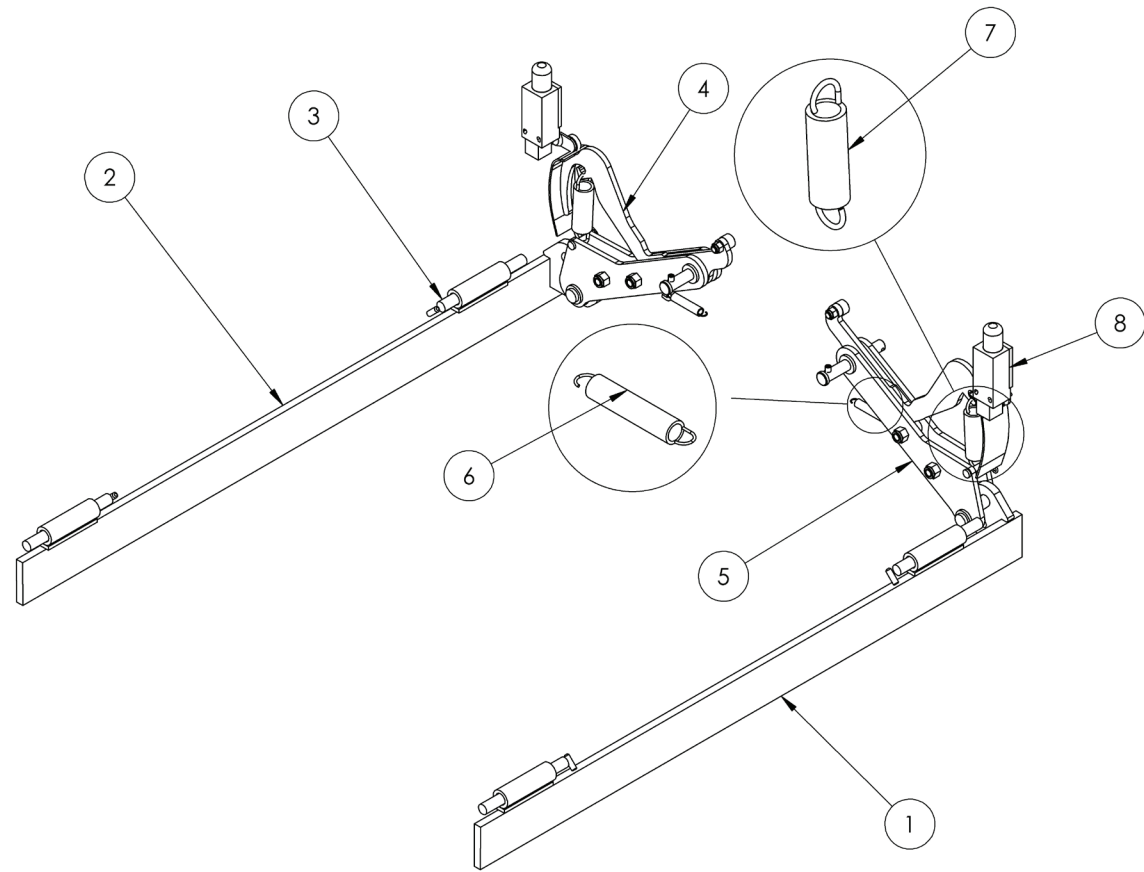


FIGURE 2: Pothole Guard Parts

Item #	Part Number	Part Description	Notes	Qty	Superseded By
1	112-01-254-01	BASE,PH BAR L (HBMD)		1	
2	112-01-255-01	BASE,PH BAR R (HBMD)		1	
3	RND-HB-002-P	PIN,HINGE,0.50,5.0		4	
4	129-21-263-14-K	ASM,BASE PH ARMS		1	
5	129-21-263-09-K	ASM,BASE PH ARMS		1	
6	HARD-696-1	0.38X2.25 SPRING		1	
7	HARD-804	SPRING, EXT 3.5500 X .880		1	
8	ELEC-123-5	SWITCH,LIMIT,ROT LVR,NO/NC PO		2	

1.2 | CASTER PARTS

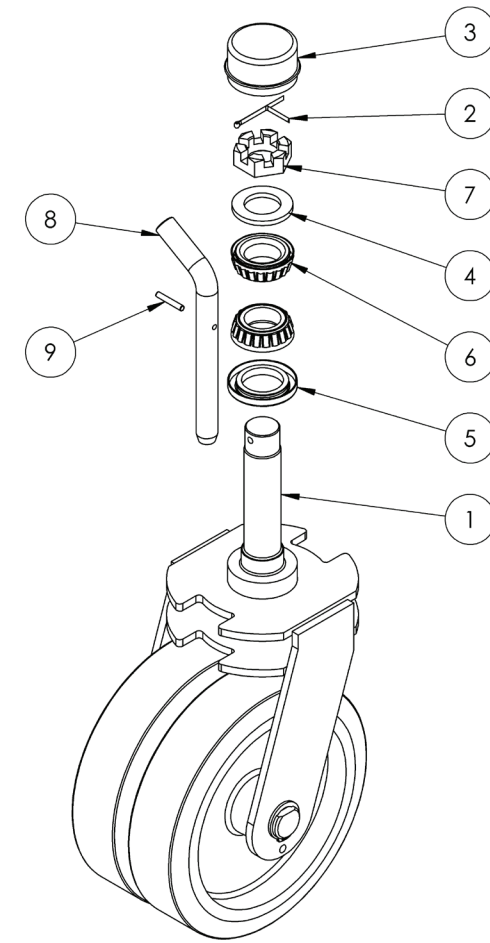


FIGURE 3: Caster Parts

Item #	Part Number	Part Description	Notes	Qty	Superseded By
1	129-21-215-50-K	ASM,CASTER		1	
2	HARD-725	COTTER PIN, 3/16 X 2		1	
3	WHEE-714-100	1.75 HUB,COVER		1	
4	WHEE-716	1.06X1.75X0.16 WASH		1	
5	WHEE-717	SEAL		1	
6	WHEE-718	1.06X0.58 TAPER ROLL BEARING		2	
7	WHEE-719	1-14 HEX SLOTTED AXLE NUT		1	
8	129-01-101-05	HITCH PIN,5/8 X 5		1	
9	129-01-102-03	COILED SPRING PIN, 5/32,1 L		1	

1.3 | CASTER SUBPARTS

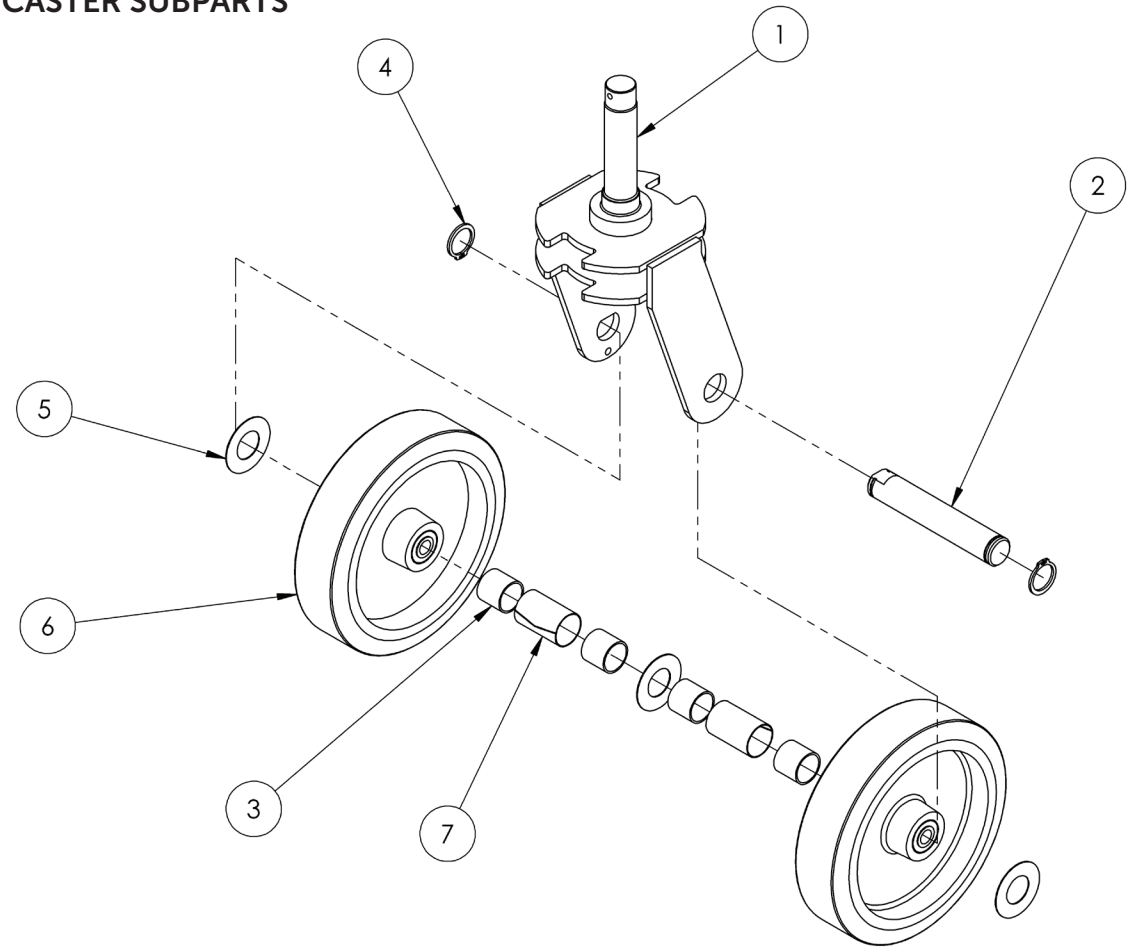


FIGURE 4: Caster Subparts

Item #	Part Number	Part Description	Notes	Qty	Superseded By
1	129-01-260-01	BASE,CASTER WLDMNT		1	
2	129-06-023-02	BASE,CASTER PIN		1	
3	HARD-001-2	1.00X1.00 SLEEVE BEARING,PTFE		4	
4	HARD-021	RET RING 1.0		2	
5	WHEE-609-SS	WASHER, 1.015ID,2OD,.03 THK SS		3	
6	WHEE-706-KIT	WHL,8X2,GREY NM BORE 1.25		2	
7	WHEE-708	2.00 WHL, RACEWAY SPLIT		2	

1.4 | REAR WHEEL PARTS

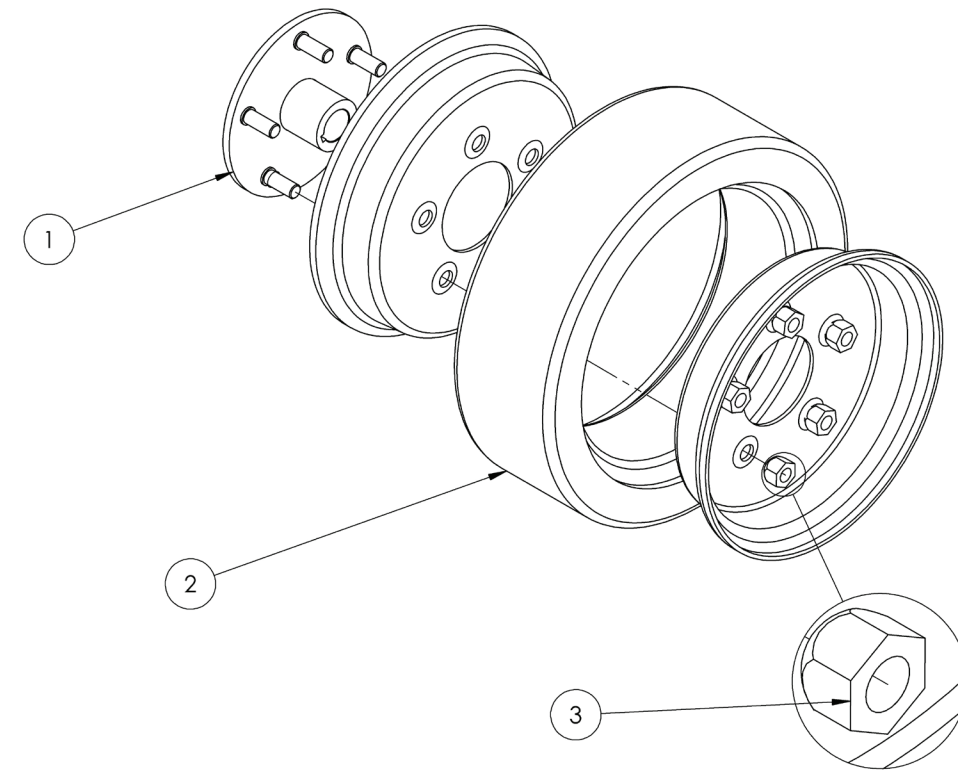


FIGURE 5: Rear Wheel Parts

Item #	Part Number	Part Description	Notes	Qty	Superseded By
1	112-01-572-02	HUB,KEYWAY 1.0,2.0		1	
2	WHEE-624	WHL,12X4,NM RUBBER		1	
3	WHEE-735	WHL,LUG NUT 7/16-20		5	

**1.5 | DRIVE PARTS**

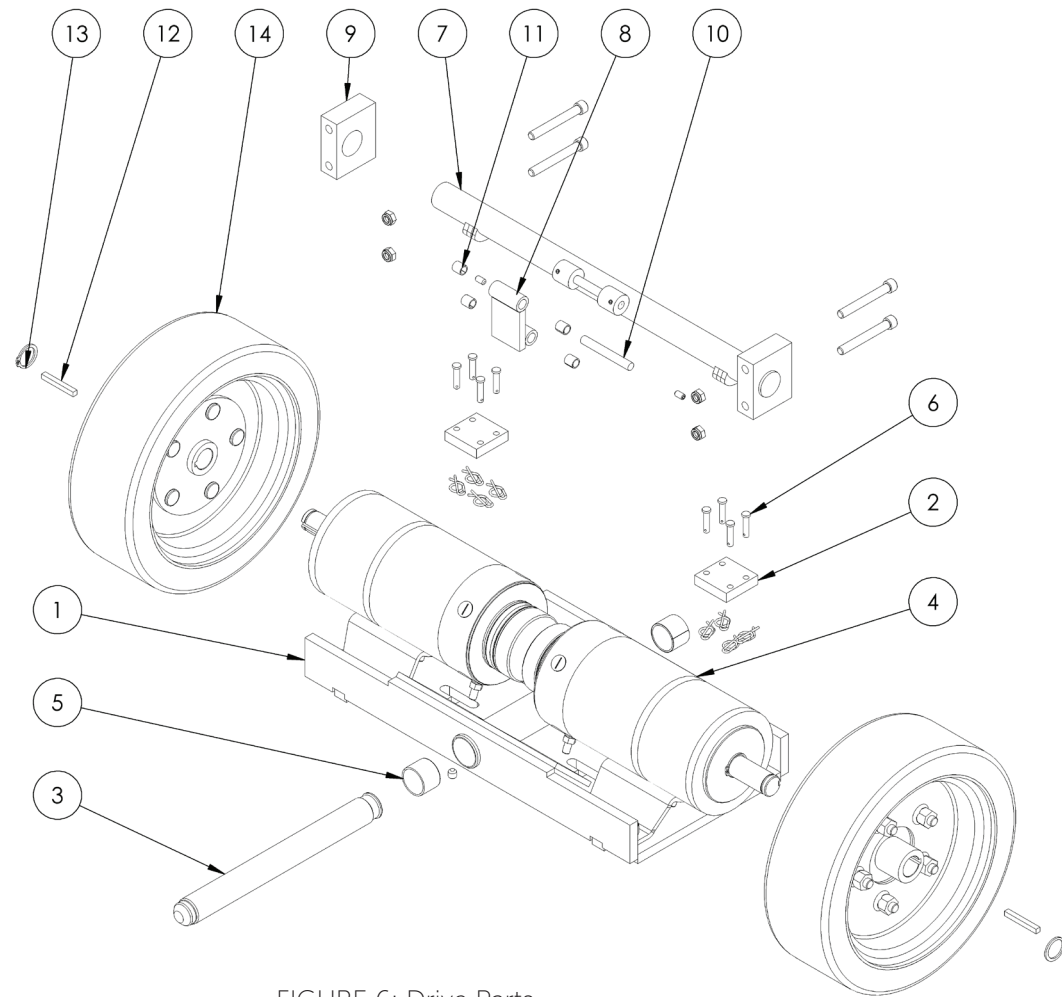


FIGURE 6: Drive Parts

Item #	Part Number	Part Description	Notes	Qty	Superseded By
1	129-01-408-02	BASE,REAR PIVOT		1	
2	129-01-455-04	BASE,DELTRIN SLIDER		2	
3	129-06-606-02	PIN,DRIVE MNT,1.2500,14.0600		1	
4	ELEC-790	DRIVE MOTOR,24V,HB,AUB		2	
5	HARD-001	DU BEARING, 1.25 ID, 1 LENGTH		2	
6	HARD-641-25	.25X.94U X 1.13L CLEVIS PIN		8	
7	129-01-415-02	BASE,CAM BAR WLDMNT		1	
8	129-01-416-02	BASE,CAM LINK WLDMNT		1	
9	129-01-445-04	BASE,CAM SHAFT GUIDE		2	
10	129-06-401-02	PIN,PIVOT LOCK CONNECTING ARM		2	
11	HARD-401	0.38X0.50 SLEEVE BEARING,PTFE		4	
12	HARD-157	KEY,0.25 X 0.25 X 2		2	
13	HARD-021	RET RING 1.0		2	
14	WHEE-625-KIT	WHL,12X4 NM RUBBER W /HUB		2	

**1.6 | PUMP PARTS**

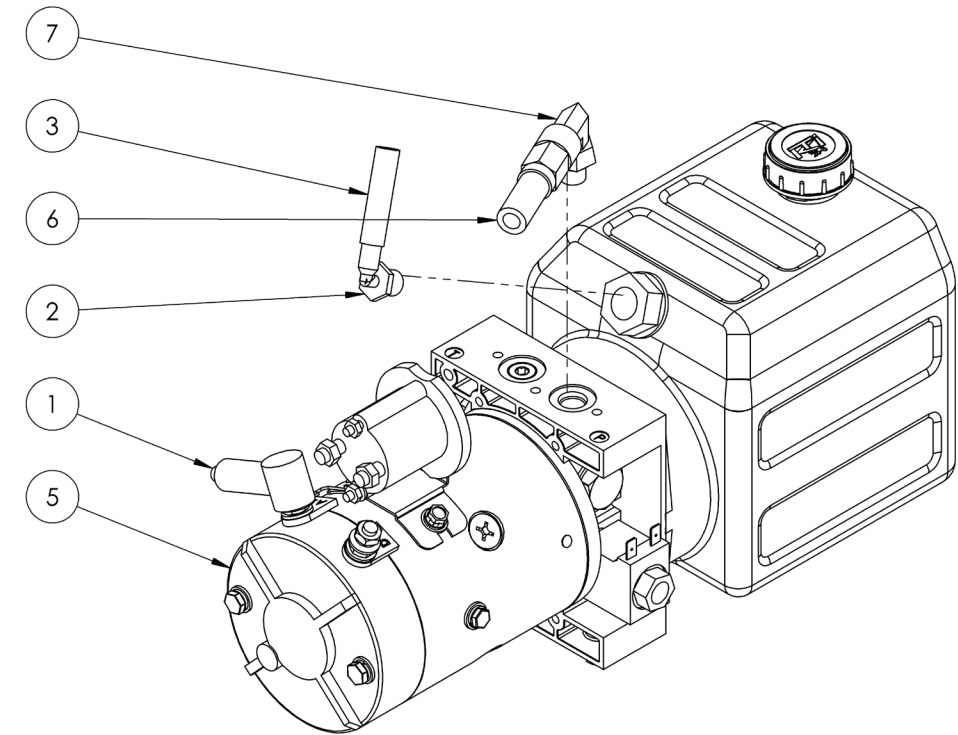


FIGURE 7: Pump Parts

Item #	Part Number	Part Description	Notes	Qty	Superseded By
1	ELEC-634D	TERMINAL BOOT	BLACK	1	
2	HYDR-019	FITTING,ELB,NPTM 3/8-1/4 PUSH		1	
3	HYDR-022-3	LOW PRESSURE HOSE	QTY IN	132	
4	HYDR-032	HYDRAULIC OIL	Not available as a replacement part. Replace with Flomite #150, Dexron II, Mobil-DTE 2 or equivalent.	1	
5	HYDR-050-16E	PUMP,24VDC,0.132,0.75		1	
6	HYDR-600	HOSE ASM,HB-2X		1	
7	HYDR-677	FITNG,ELB,JICM 9/16-SAEORM #6		1	

**1.7 | PUMP SUBPARTS**

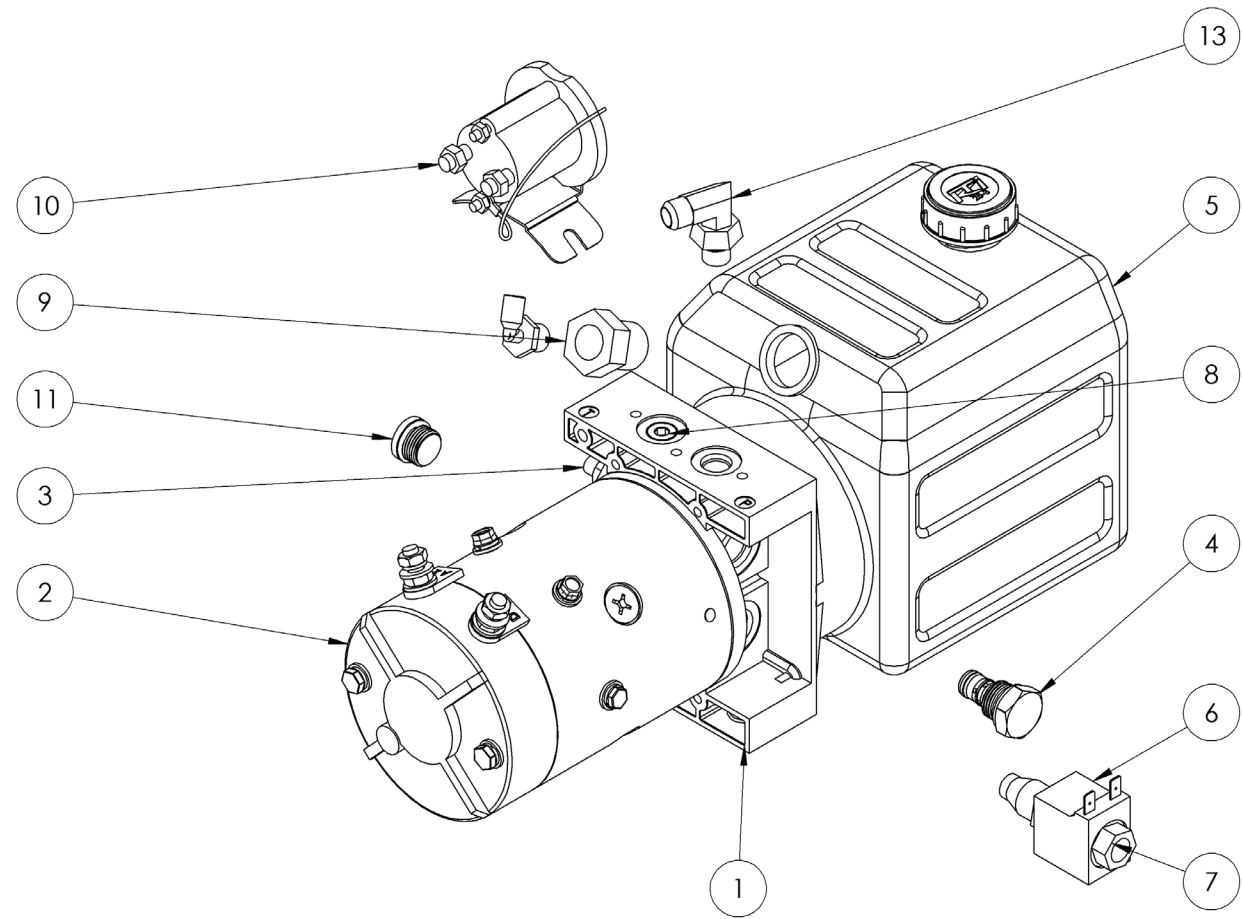


FIGURE 8: Pump Subparts

Item #	Part Number	Part Description	Notes	Qty	Superseded By
1	HYDR-101	MANIFOLD,KTI UNIVERSAL		1	
2	HYDR-105	PUMP MOTOR,24V,0.132 CIR		1	
3	HYDR-107	PRESSURE RELIEF,ADJ,3000 PST		1	
4	HYDR-108	#8 POPPET CHECK VALVE 0.3 BAR		1	
5	HYDR-119	PUMP RESERVOIR,0.75 GAL		1	
6	HYDR-664	COIL, 18V		1	
7	HYDR-665	VALVE,NO,2W/2P,#8,UP		1	
8	HYDR-670	PLUG,SAEOR M #6,HEX SOCKET 1/4		1	
9	HYDR-690	FITTING,STR,3/4 NPTM X 3/8 NPTF		1	
10	HYDR-692	SOLENOID,24V,100 AMP		1	
11	HYDR-698	PLUG, SAE#8		1	
12	HYDR-019	FITTING,ELB,NPTM 3/8-1/4 PUSH		1	
13	HYDR-677	FITTING,ELB,JICM 9/16-SAEORM #6		1	

**1.8 | MISCELLANEOUS BASE PARTS**

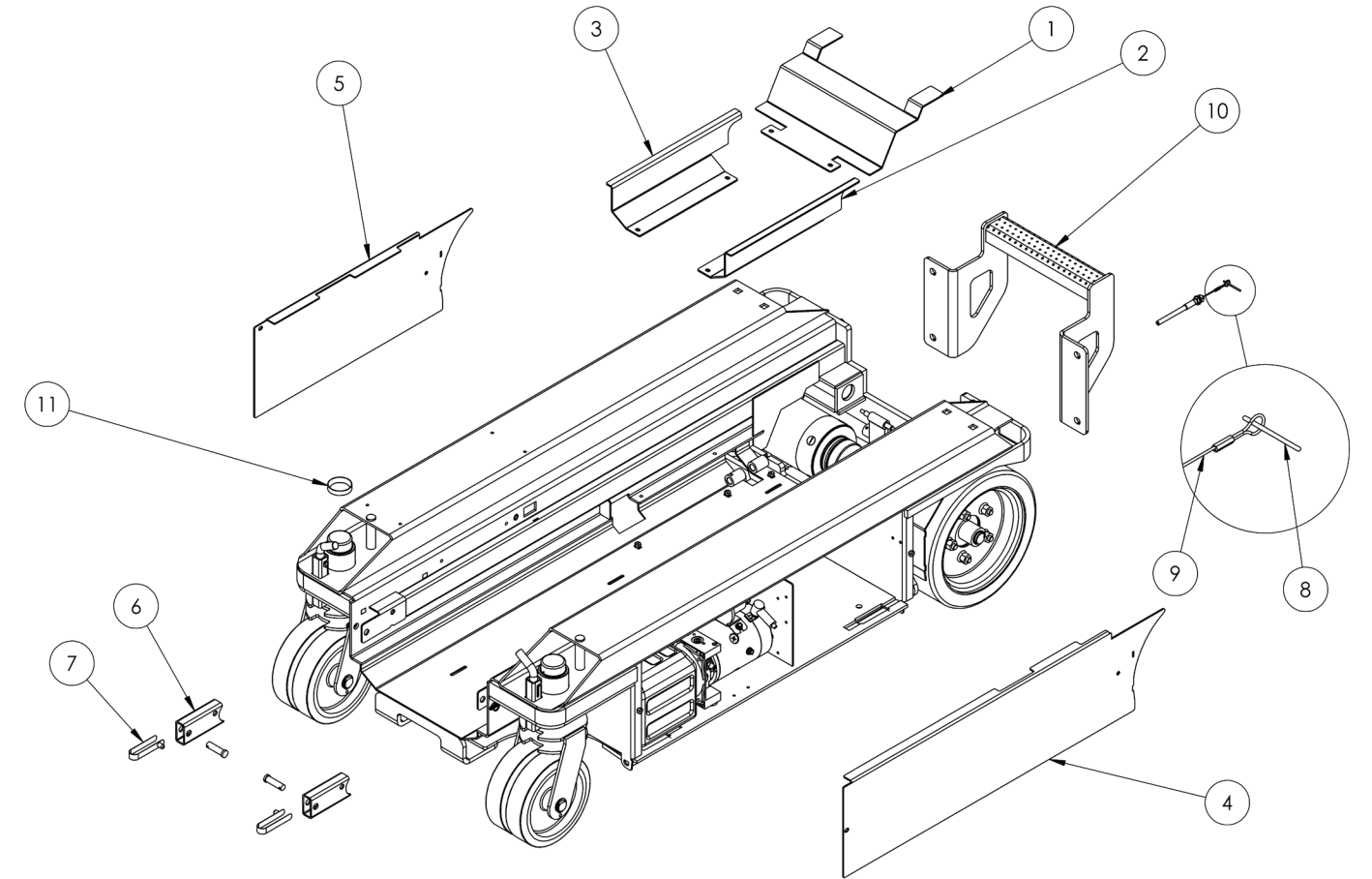
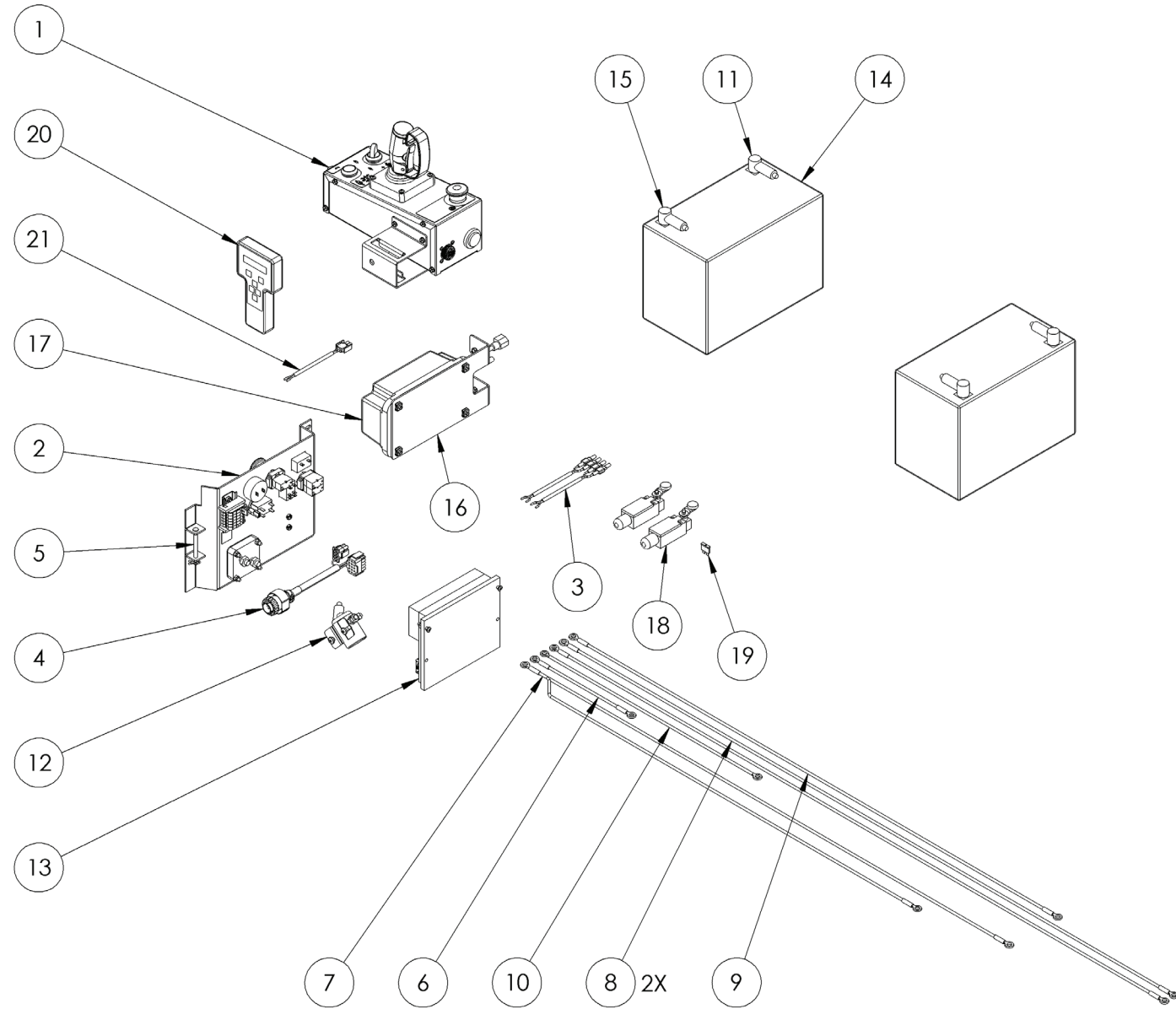


FIGURE 9: Miscellaneous Base Parts

Item #	Part Number	Part Description	Notes	Qty	Superseded By
1	129-01-433-19	BASE,DRIVE COVER		1	
2	129-01-434-19L	BASE,SIDE WIRE COVER		1	
3	129-01-434-19R	BASE,SIDE WIRE COVER		1	
4	129-05-211-19	BASE,COVER WLDMNT L		1	
5	129-05-219-19	BASE,COVER WLDMNT R		1	
6	129-01-232-02	BASE,SCISSORS LOCK		2	
7	HARD-067	0.38SNAP BUTTON,SINGLE END		2	
8	HARD-651	RING, 1.4 ID		1	
9	HARD-644-04	LOW FRICTION CABLE, 43/52		1	
10	112-01-552-01	BASE,STEP FULL PERFORATED		1	
11	129-01-250-04	BEARING RACE		1	

2.1 | CONTROL PARTS



Item #	Part Number	Part Description	Notes	Qty	Superseded By
1	129-21-404-55	ASM,CTL UPR ZT S4		1	
2	129-21-407-51	ASM,CTL LWR (HBMD S4)		1	
3	129-21-419-50	CTL,WIRE HARNESS BRAKES		2	
4	129-21-532-50	CTL,WIRE HARNESS MAIN ZT1630		1	
5	HARD-641-27	.25X2.81U X 3.00L CLEVIS PIN		1	
6	129-01-090-50	CABLE,6GA,RED,10,R/R,.38 EYES		1	
7	129-01-090-51	CBL,6GA,RED,42&50,R/R,.38 EYES		1	
8	ELEC-641A	CABLE,6GA,BLACK,63,B/B		2	
9	ELEC-641C	CABLE,6GA,RED,50,B/R		1	
10	ELEC-641E	CABLE,6GA,BLACK,22.0000,B/B		1	
11	ELEC-634C	TERMINAL COVER (RED)		3	
12	HYDR-666	SOLENOID,24V,ISOLATED,SPST		1	
13	129-21-533-50-K	BOARD,DRIVE/LIFT CTL ZT S5		1	
14	ELEC-047-5	BATTERY,12V,GR27 AGM		2	
15	ELEC-634D	TERMINAL BOOT (BLACK)		2	
16	129-01-428-01	BASE,CGHR MNT PLATE PRO		1	
17	ELEC-795	CHARGER,24V 12A PRO		1	
18	ELEC-123-5	SWITCH,LIMIT,ROT LVR,NO/NC PO		2	
19	ELEC-959	FUSE, 20A ATC		1	
20	ELEC-646-5	TOOL,PGT PROGRAMMER,EZ-CAL		1	
21	129-21-535-50	CTL,WIRE HARNESS BRAKES		1	

FIGURE 10: Controls/Electrical Parts



2.2 | MAIN CABLE PARTS

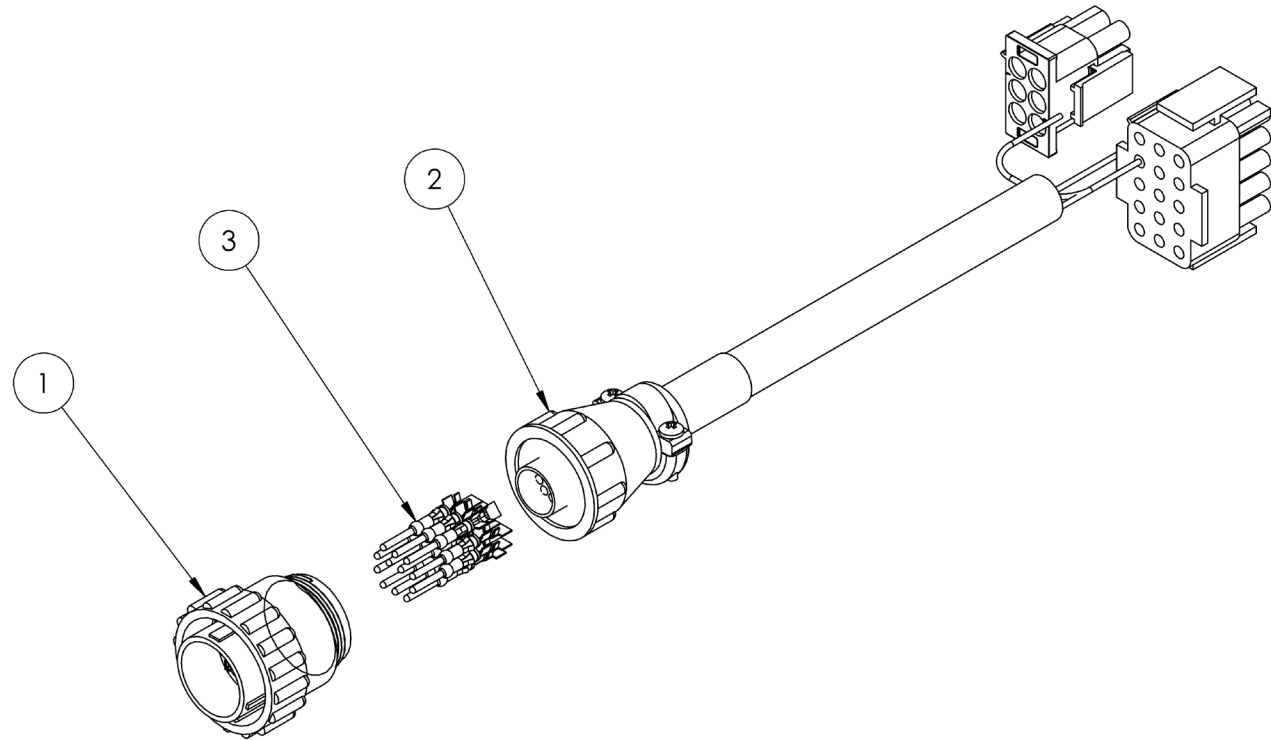


FIGURE 11: Main Cable Parts

Item #	Part Number	Part Description	Notes	Qty	Superseded By
1	ELEC-749	CONN,CPC,PLUG,14 POS		1	
2	ELEC-750	CABLE CLAMP,CPC,BACK SHELL		1	
3	ELEC-752	CONTACT PIN,CPC,14-18GA		12	

2.3 | UPPER CONTROL PARTS

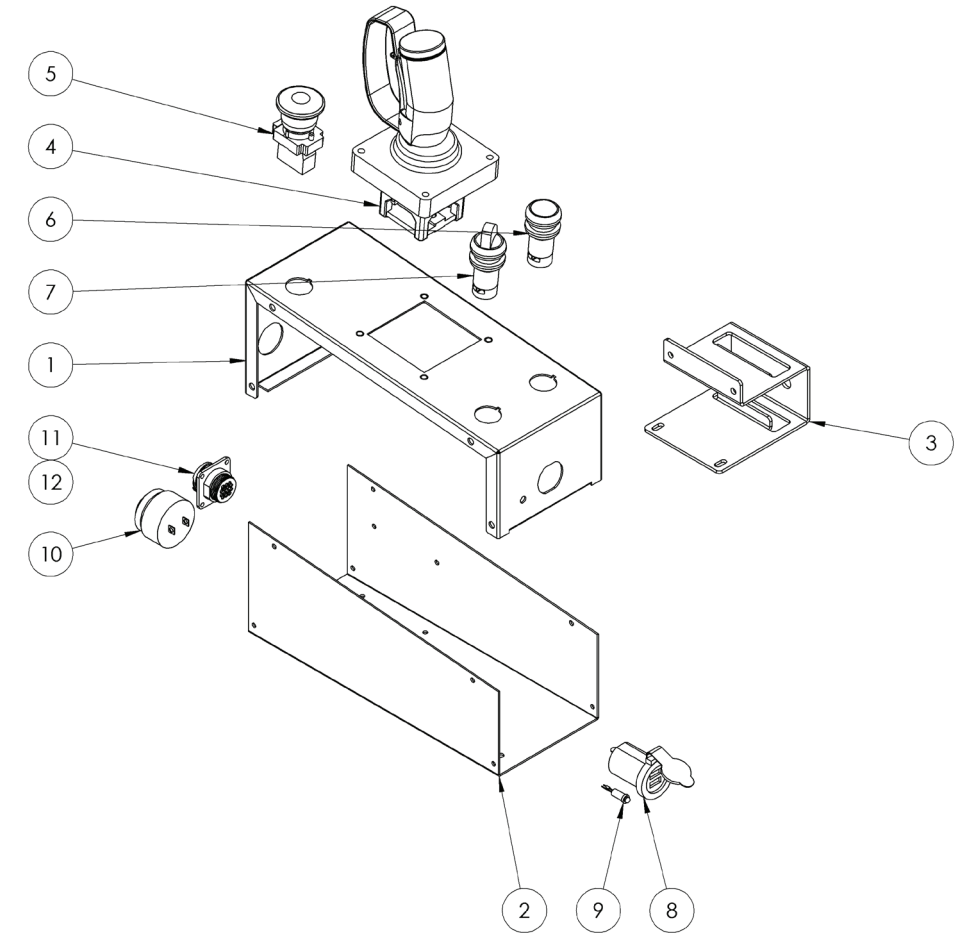


FIGURE 12: Upper Control Parts

Item #	Part Number	Part Description	Notes	Qty	Superseded By
1	129-03-441-01	RAIL,CTL UPR PANEL		1	
2	129-03-442-01	RAIL,CTL BOX LWR		1	
3	129-03-443-01	RAIL,CTL MNT CHNL		1	
4	ELEC-609	JOYSTICK,MULTI-AXIS W/GUARD		1	
5	ELEC-071-KIT	SWITCH,PUSH/PULL RED E-STOP		1	
6	ELEC-067	SWITCH,PUSH BTN,GREEN		1	
7	ELEC-068	SWITCH, ROTARY MAINT. ,2-POS		1	
8	ELEC-892	POWER PORT,USB 12/24V		1	
9	ELEC-636	LED, RED		1	
10	ELEC-635-4	ALARM, CONTINUOUS		1	
11	129-21-435-50	CTL,WIRE HARNESS,UPR CTL		1	
12	ELEC-751	CONN,CPC,RECEPT,14 POS		1	

**2.4 | LOWER CONTROL PARTS**

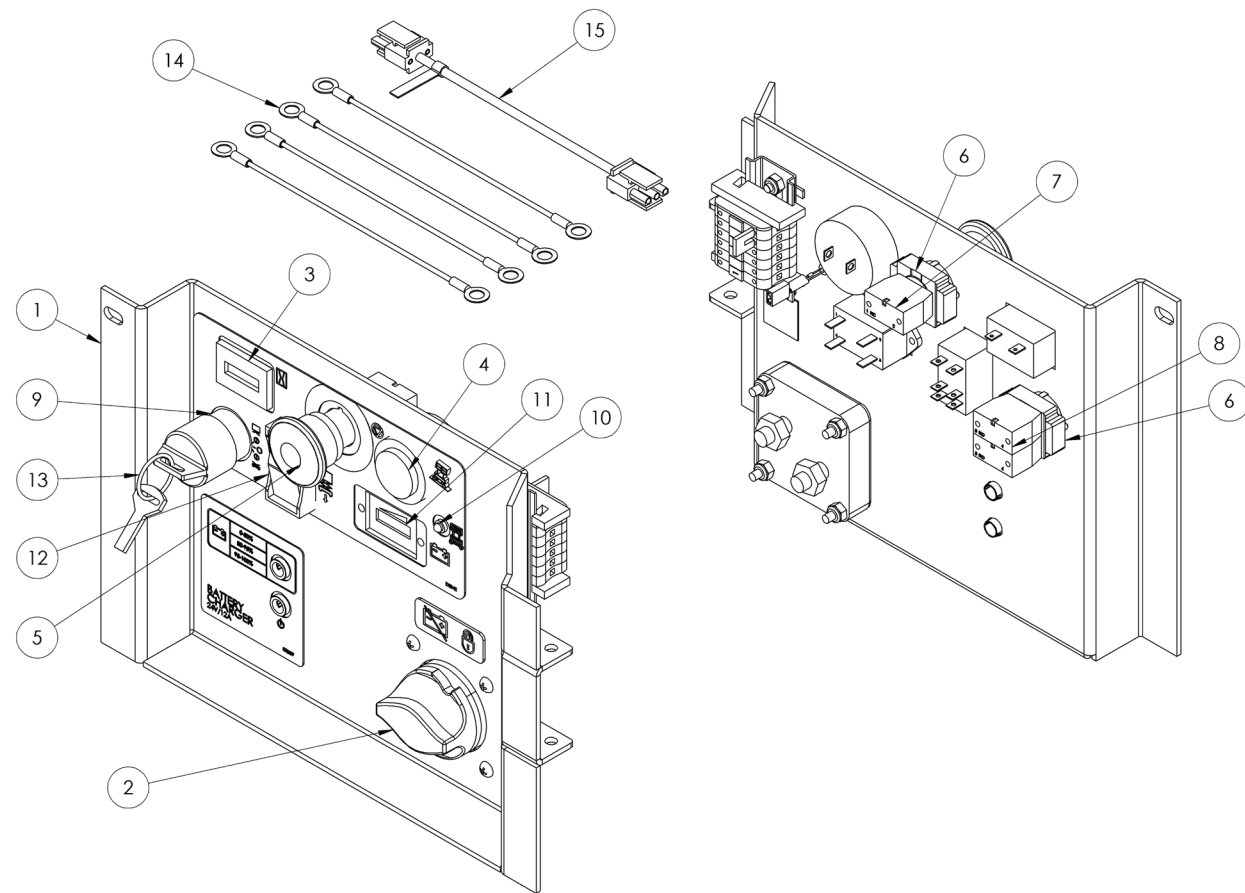


FIGURE 13: Lower Control Parts

Item #	Part Number	Part Description	Notes	Qty	Superseded By
1	129-05-405-19	BASE,CTL PANEL WLDMNT		1	
2	ELEC-633-4	SWITCH,MASTER DISCONNECT		1	
3	ELEC-610-2	METER,HOUR		1	
4	ELEC-635-4	ALARM, CONTINUOUS		1	
5	ELEC-071	BUTTON,PUSH/PULL RED E-STOP		1	
6	ELEC-071BASE	SWITCH,BASE/COLLAR		2	
7	ELEC-072	CONTACT BLOCK,NC		1	
8	ELEC-603	CONTACT BLOCK,NO		2	
9	ELEC-073D	SWITCH,KEY,3-POS MAINTAINED		1	
10	ELEC-636	LED,RED		1	
11	ELEC-610-4	METER,VOLT,24V		1	
12	ELEC-133B	SWITCH,ROCKER DPDT		1	
13	ELEC-073EKEY	KEY,SPARE		1	
14	129-21-436-50	CTL,WIRES DRIVE MOTORS		1	
15	129-21-322-50	CTL,WIRE HARNESS PRESSURE SENSOR		1	

**2.5 | MASTER POWER SWITCH**

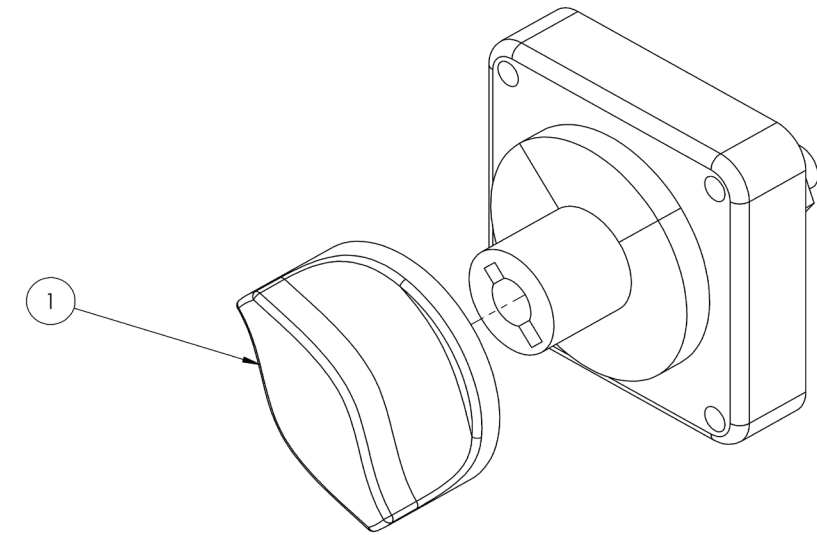


FIGURE 14: Master Power Switch

Item #	Part Number	Part Description	Notes	Qty	Superseded By
1	ELEC-633-5	SWITCH KNOB,MASTER DISCONNECT		1	

**3.1 | SCISSOR PARTS**

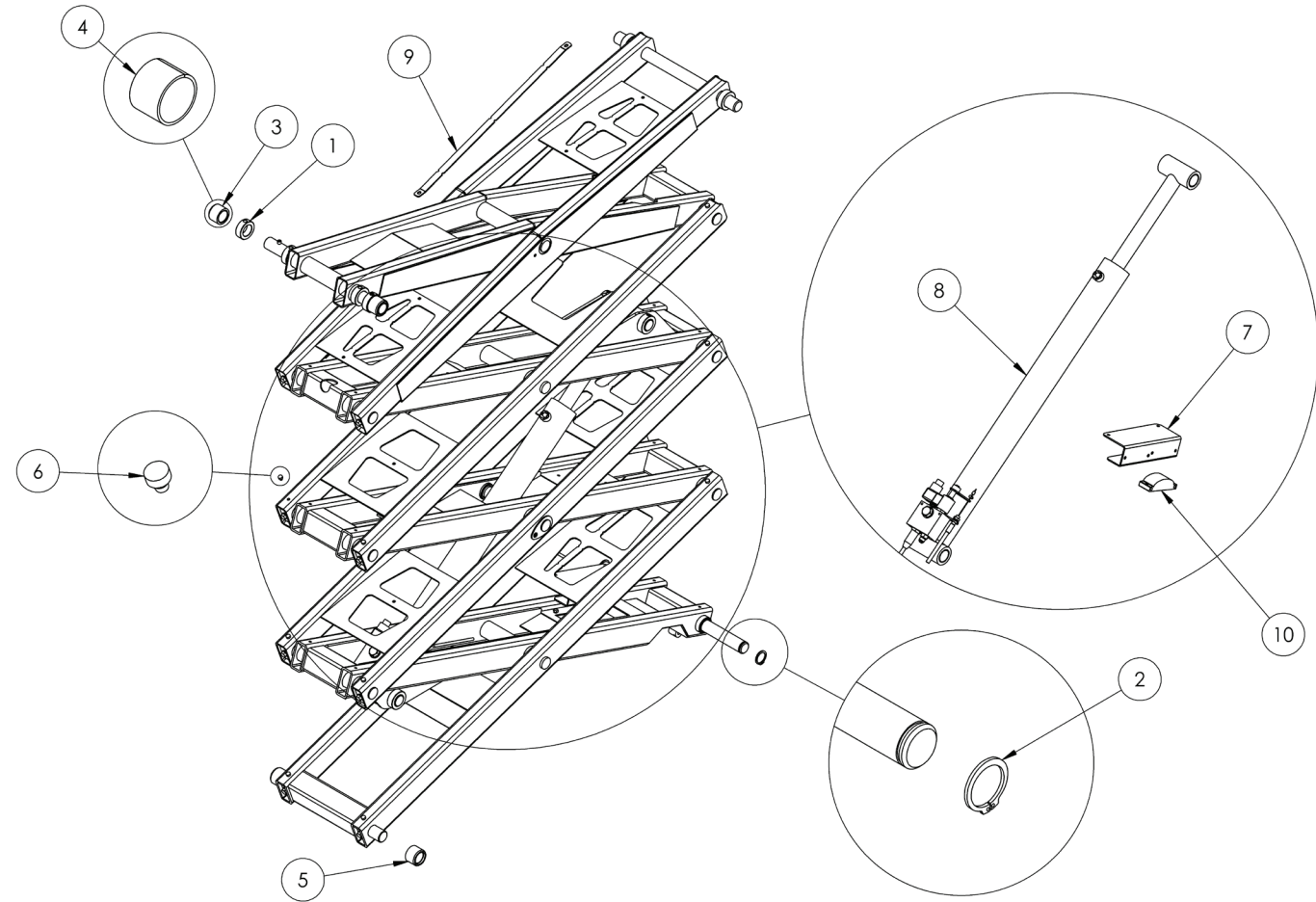


FIGURE 15: Scissor Parts

Item #	Part Number	Part Description	Notes	Qty	Superseded By
1	10210001-02	1.25X2.00X0.69 SHAFT COLLAR		6	
2	HARD-022	1.25 RETAINING RING,EXT		2	
3	129-21-009-50-K	ASM,ROLLER,1.25 W/DU		4	
4	HARD-001	DU BEARING, 1.25 ID, 1 LENGTH		1	
5	129-07-001-02	ROLLER,1.25,1.75 OD,1.2500		1	
6	HARD-694	.28 PUSH-IN BUMPER		12	
7	129-02-569-04	SCISSOR,ANG MNT SINGLE		1	
8	129-21-523-50-K	ASM,CYL ZT S5		1	
9	129-02-578-01	SCISSOR,UPR CONDUIT		1	
10	ELEC-647	SENSOR,ANGLE		2	

**3.2 | CYLINDER SUBPARTS**

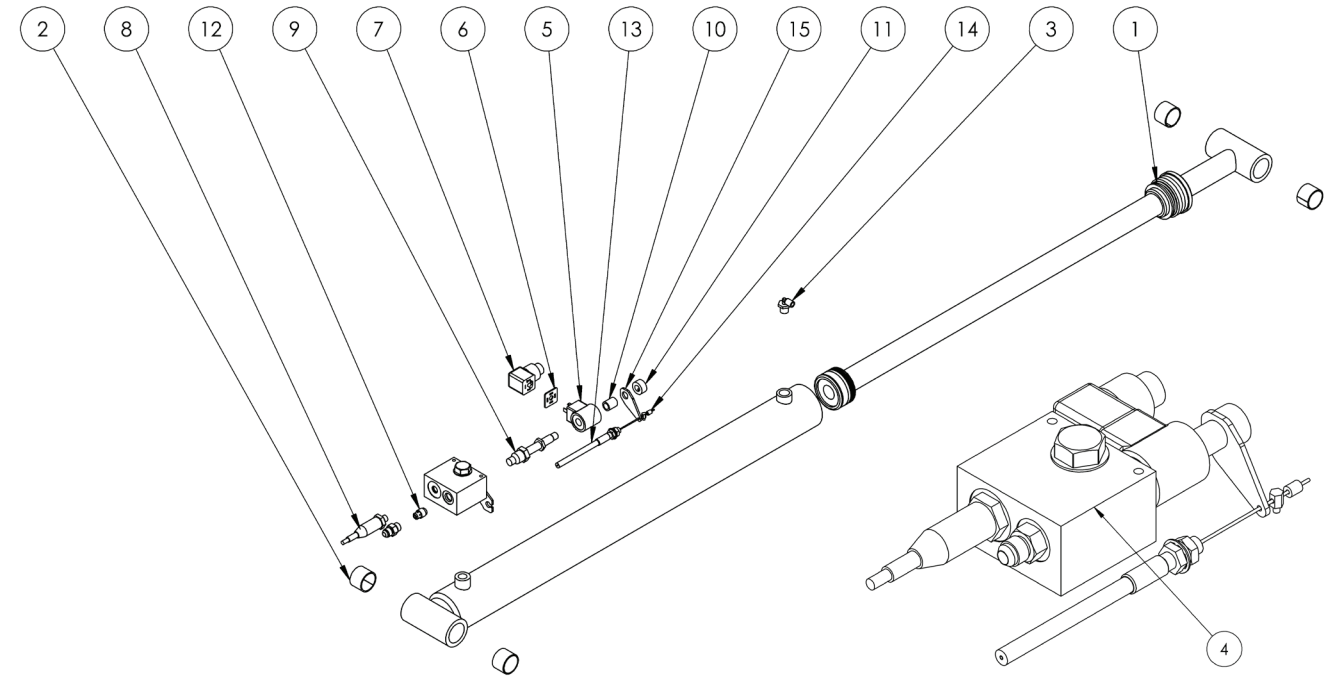


FIGURE 16: Cylinder Subparts

Item #	Part Number	Part Description	Notes	Qty	Superseded By
1	HYDR-012-SK-BAI	CYL,SEAL KIT 2.5 B, 1.5 R		1	
2	HARD-001	DU BEARING, 1.25 ID, 1 LENGTH		4	
3	HYDR-019	FITTING,ELB,NPTM 3/8-1/4 PUSH		1	
4	129-21-573-50-K	ASM, MANIFOLD CYL S5		1	
5	HYDR-007-2E-4	COIL,24V,HC		1	
6	HYDR-044-FL2	GASKET FOR HIRSCHMANN CONN.		1	
7	HYDR-044-FL1	HIRSCHMANN CONNECTOR		1	
8	ELEC-648	SENSOR,PRESSURE		1	
9	HYDR-007-2E-5	VALVE,NC,2W/2P,#8,DWN,PULL,DEL		1	
10	HARD-621	038X0.63X075 SLEEVE BEARING		1	
11	HARD-650	0.44X0.88X0.44 SHAFT COLLAR		1	
12	HYDR-627-1	FLOW CONTROL INLINE 2.0GPM		1	
13	HARD-644-11	LOW FRICTION CABLE, 120.25/129		1	
14	HARD-900	SLEEVE,CABLE STOP 0.09		1	
15	129-02-573-03	SCISSOR,PATE E-DOWN ACT		1	

4.1 | PLATFORM & RAILS PARTS

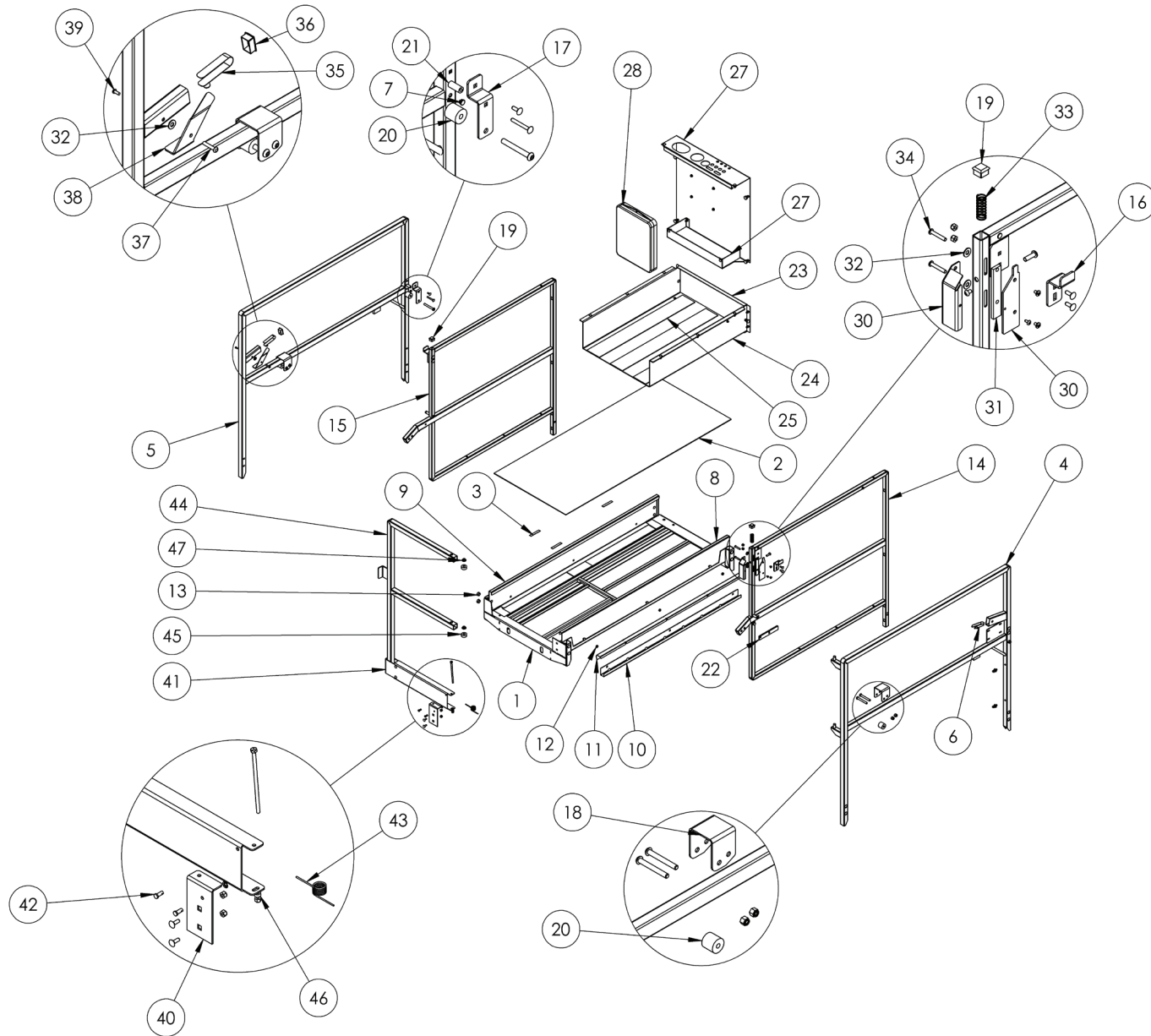


FIGURE 17: Platform & Rail Parts

Item #	Part Number	Part Description	Notes	Qty	Superseded By
1	129-04-401-19	PF,WLDMNT HBMD		1	
2	129-03-417-03	PF,DECK		1	
3	MISC-026-06	ADHESIVE,VHB,0.5X3.00		3	
4	129-03-420-01	RAIL,WC R	STANDARD COLOR	1	
4	129-03-420-20	RAIL,WC R	GREEN	1	
5	129-03-421-01	RAIL,WC L	STANDARD COLOR	1	
5	129-03-421-20	RAIL,WC L	GREEN	1	
6	HARD-067	0.38SNAP BUTTON,SINGLE END		1	
7	HARD-757	PLUG,0.31 DIA, BLACK		10	
8	129-03-450-11	PF,TOE BOARD,R	STANDARD COLOR	1	
8	129-03-450-20R	PF,TOE BOARD,R	GREEN	1	
9	129-03-450-06	PF,TOE BOARD,L	STANDARD COLOR	1	
9	129-03-450-20L	PF,TOE BOARD,L	GREEN	1	
10	129-04-415-01	PF,CONDUIT CHNL LWR		1	
11	129-04-416-01	PF,CONDUIT CHNL UPR		1	
12	HARD-636	0.25X0.50X0.19 SPACER		3	
13	HARD-645	PLUG,11/16 DIA, BLACK		21	
14	129-03-422-01	RAIL,SO R	STANDARD COLOR	1	
14	129-03-422-20	RAIL,SO R	GREEN	1	
15	129-03-423-01	RAIL,SO L	STANDARD COLOR	1	
15	129-03-423-20	RAIL,SO L	GREEN	1	
16	129-03-427-01	RAIL,SO BRKT	STANDARD COLOR	2	
16	129-03-427-20	RAIL,SO BRKT	GREEN	2	
17	129-03-430-01	RAIL,SO BRKT MID	STANDARD COLOR	2	
17	129-03-430-20	RAIL,SO BRKT MID	GREEN	2	
18	129-03-436-01	RAIL,SO CHNL	STANDARD COLOR	2	
18	129-03-436-20	RAIL,SO CHNL	GREEN	2	
19	HARD-092	PLUG,1 SQR,BLACK		2	
20	HARD-837	ROLLER,0.386,1.25 OD,1.15		4	
21	HARD-838	ROLLER,0.25,0.50 OD,1.15		4	
22	129-03-480-01	RAIL,SO STOP BAR	STANDARD COLOR	2	
22	129-03-480-20	RAIL,SO STOP BAR	GREEN	2	
23	129-03-418-01	RAIL,SO TOE BOARD,D	STANDARD COLOR	1	
23	129-03-419-20	RAIL,SO TOE BOARD,D	GREEN	1	
24	129-03-419-20	RAIL,SO FLOOR BOLT ON	STANDARD COLOR	1	
24	129-03-419-20	RAIL,SO FLOOR BOLT ON	GREEN	1	
25	MISC-031-01	ANTI-SLIP TAPE,4.00,31.00 LENG		3	

LIST CONTINUED ON THE NEXT PAGE (38)

SECTION 4 **PLATFORM & RAILS**

26	112-03-412-01	RAIL,TOOL TRAY CAP	STANDARD COLOR	2
26	112-03-412-20	RAIL,TOOL TRAY CAP	GREEN	2
27	112-03-413-01	RAIL,SO FRONT PANEL/TOOL TRAY	STANDARD COLOR	1
27	112-03-413-20	RAIL,SO FRONT PANEL/TOOL TRAY	GREEN	1
28	HARD-603	MANUAL BOX		1
29	129-03-438-01	RAIL,SO LATCH	STANDARD COLOR	1
29	129-03-438-20	RAIL,SO LATCH	GREEN	1
30	129-03-439-01	RAIL,SO LOCK BRKT	STANDARD COLOR	1
30	129-03-439-20	RAIL,SO LOCK BRKT	GREEN	1
31	129-03-460-03	PF,RAIL SPACER		1
32	HARD-626-2	WASHER,0.3ID,0.7OD,0.06THK,NYL		5
33	HARD-840	SPRING,COMP 2.00 X 0.72		1
34	SPBB-1024	0.25 X 1.50 BIND BARREL,10-24		2
35	HARD-066	0.50 SNAP BUTTON,SINGLE END		1
36	HARD-634	PLUG,1.00X1.50,BLACK		1
37	HARD-649	0.25 X 1.25 BARREL SCRW,10-24		1
38	LAS-M089-PC/ PCG	RAIL,GATE LATCH		1
39	SCREW-1100	10-24 X 0.50 PAN HEAD SCRW		1
40	112-04-412-01	PF,GATE MNT	STANDARD COLOR	1
40	112-04-412-20	PF,GATE MNT	GREEN	1
41	129-03-472-01	RAIL,GATE TOEBOARD	STANDARD COLOR	1
41	129-03-472-20	RAIL,GATE TOEBOARD	GREEN	1
42	HARD-641-23	.25X.44U X .63L CLEVIS PIN		2
43	HARD-822	SPRING,TOR .095 DIA,17 IN-LB		1
44	129-03-471-01	RAIL,GATE WLDMNT	STANDARD COLOR	1
44	129-03-471-20	RAIL,GATE WLDMNT	GREEN	1
45	143-04-007-04	SPACER,.5ID,1.25OD,0.5 THK		2
46	HARD-636-2	0.25X0.50X0.25 SPACER		1
47	HARD-656-1	1/2 PUSH NUT CAP,QUICK		2

**THIS PAGE WAS INTENTIONALLY LEFT BLANK**

5.1 | ZT-1230 DECALS

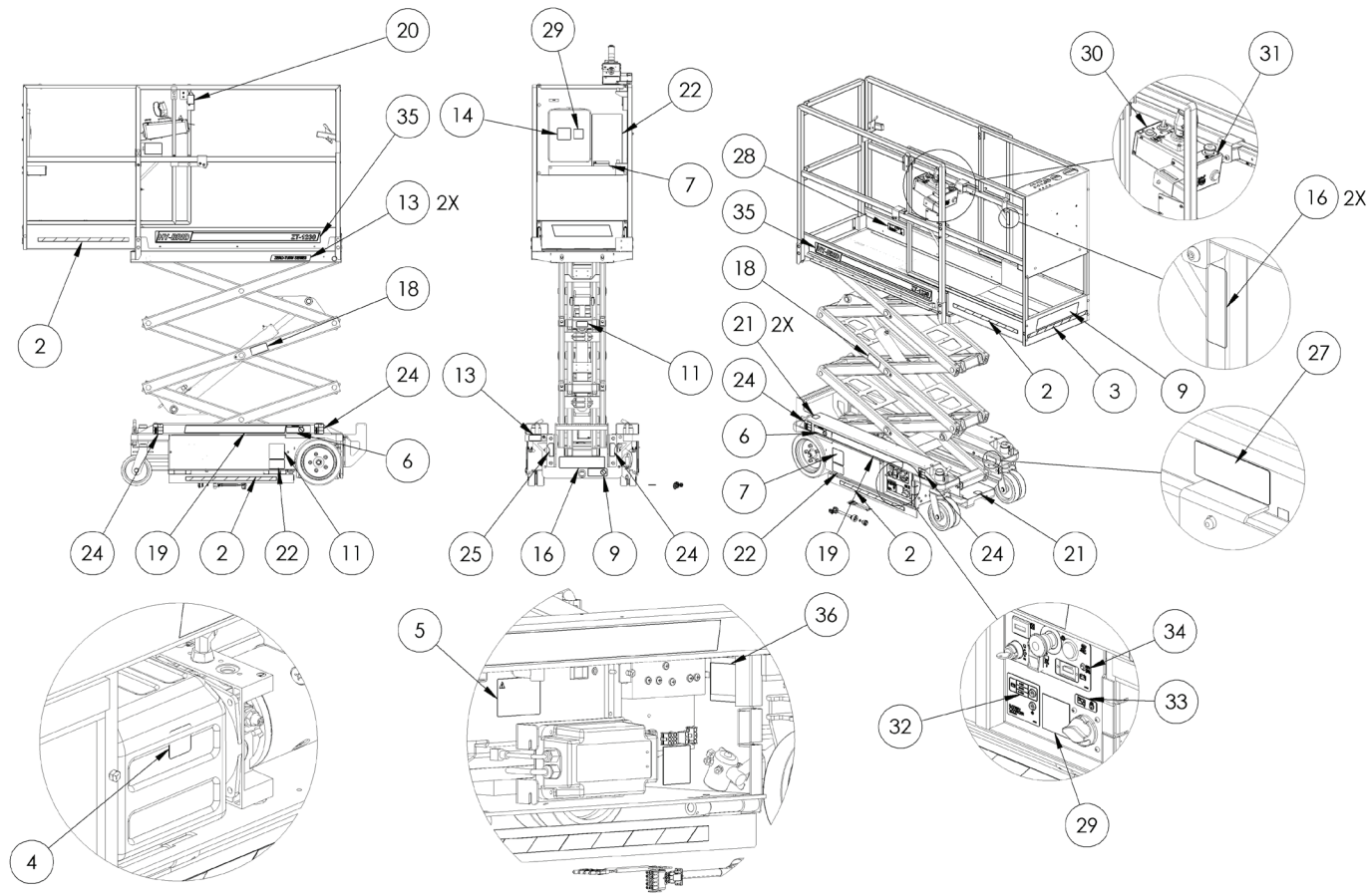


FIGURE 18: ZT-1230 Decals

Item #	Part Number	Part Description	Notes	Qty	Superseded By
1	129-21-517-50-K	DECALS,ZT-1230 S5 ANSI		1	
2	DE717-61	DECAL,SAFETY STRIPE (24.00)		4	
3	DE717-63	DECAL,SAFETY STRIPE (22.25)		1	
4	DE1008	DECAL,HYDR FLUID		1	
5	DE1022	DECAL,BATT/CHR COMPATABILITY		1	
6	DE1024	DECAL,CASTERLOCK		2	
7	DE1031	DECAL,MADE IN USA MIRROR		1	
8	DE1204	DECAL,CAPACITY,TOOL TRAY		1	
9	DE1207	DECAL,HY-BRID LIFTS		1	
10	DE1208	DECAL,BRAKE RELEASE/NO TOW		1	
11	DE1221	DECAL,MADE IN USA		1	
12	DE1230	DECAL,PROP 65		1	
13	DE1233	DECAL,SERIES ZT		2	
14	DE1243	DECAL,E-DOWN CABLE		1	
15	DE1246	DECAL,MANUAL BOX		1	
16	DE1248	DECAL,LANYARD ATTACHMENT		2	
17	DE1249	DECAL,ANNUAL INSPECTION		1	
18	DE1250	DECAL,SCISSOR CRUSH HAZARD		2	
19	DE1252	DECAL,WEBSITE		2	
20	DE1259	DECAL,SLIDEOUT		1	
21	DE1278	DECAL,TIEDOWN		3	
22	DE1282	DECAL,PH CRUSH HAZARD		2	
23	DE1291	DECAL,ZT FRONT PANEL		1	
24	DE1301	DECAL,WHEEL LOAD ZT-1230		4	
25	DE1303	DECAL,CHARGER CORD		1	
26	DE1304	DECAL,PTP		1	
27	DE1305	DECAL,MAINT LOCK		2	
28	DE1307	DECAL,CAPACITY,650#,1P,I,WO/SO		1	
29	DE1317	DECAL,QR ZT SERIES 5		2	
30	DE795.1	DECAL,CTL UPR ZTS5		1	
31	DE796.1	DECAL,CTL UPR ID ZT S4		1	
32	DE839	DECAL,CHARGER PRO 24V12A		1	
33	DE841	DECAL,BATT DISCONNECT		1	
34	DE842	DECAL,CTL PANEL		1	
35	DE1215	DECAL,MODEL ZT-1230		2	
36	DE7036	DECAL,SERIAL NO ZT-SERIES		1	

5.2 | ZT-1630 DECALS

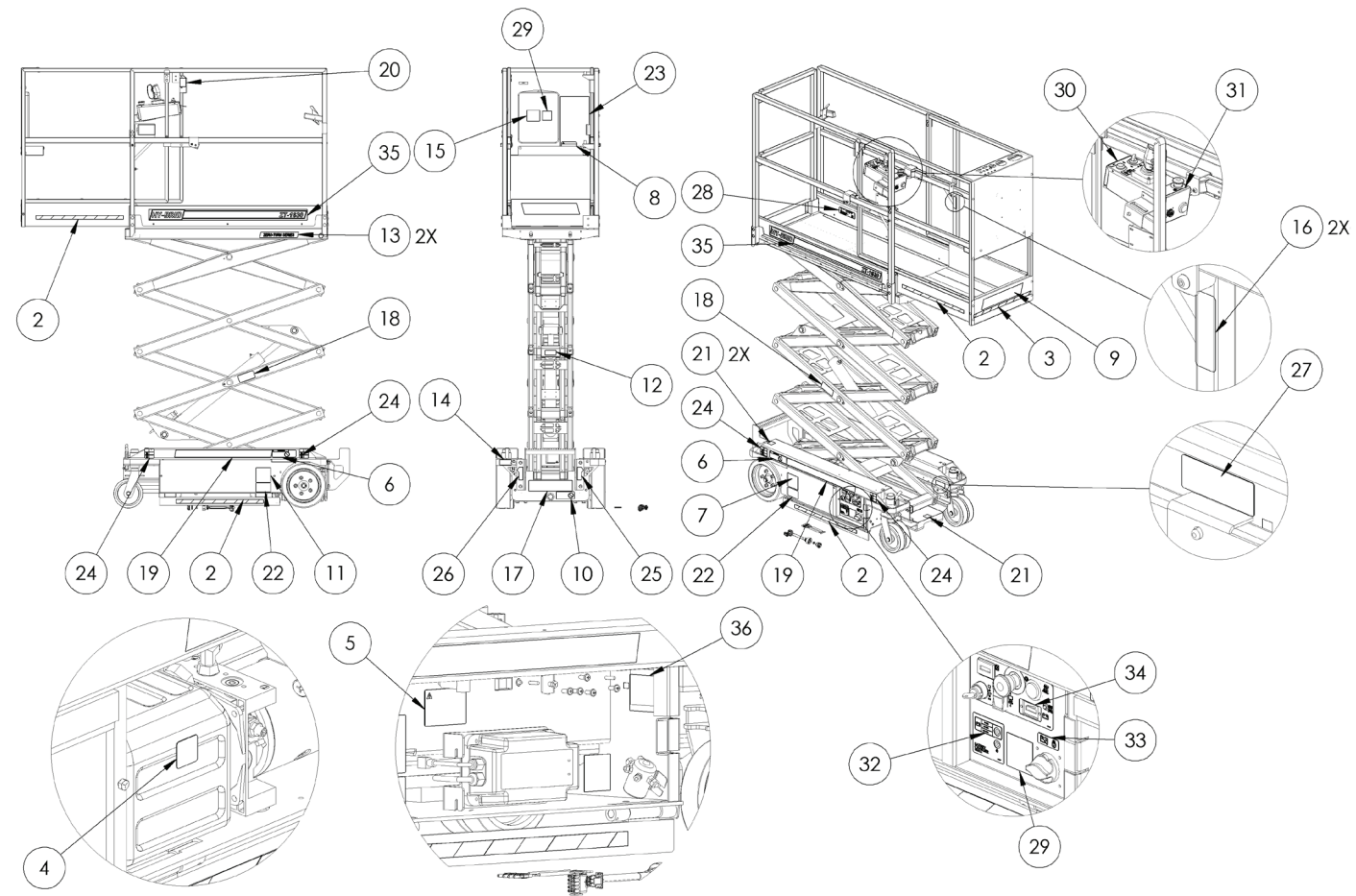


FIGURE 19: ZT-1630 Decals

Item #	Part Number	Part Description	Notes	Qty	Superseded By
1	129-21-517-55-K	DECALS,ZT-1630 S5 ANSI		1	
2	DE717-61	DECAL,SAFETY STRIPE (24.00)		4	
3	DE717-63	DECAL,SAFETY STRIPE (22.25)		1	
4	DE1008	DECAL,HYDR FLUID		1	
5	DE1022	DECAL,BATT/CHR COMPATABILITY		1	
6	DE1024	DECAL,CASTERLOCK		2	
7	DE1031	DECAL,MADE IN USA MIRROR		1	
8	DE1204	DECAL,CAPACITY,TOOL TRAY		1	
9	DE1207	DECAL,HY-BRID LIFTS		1	
10	DE1208	DECAL,BRAKE RELEASE/NO TOW		1	
11	DE1221	DECAL,MADE IN USA		1	
12	DE1230	DECAL,PROP 65		1	
13	DE1233	DECAL,SERIES ZT		2	
14	DE1243	DECAL,E-DOWN CABLE		1	
15	DE1246	DECAL,MANUAL BOX		1	
16	DE1248	DECAL,LANYARD ATTACHMENT		2	
17	DE1249	DECAL,ANNUAL INSPECTION		1	
18	DE1250	DECAL,SCISSOR CRUSH HAZARD		2	
19	DE1252	DECAL,WEBSITE		2	
20	DE1259	DECAL,SLIDEOUT		1	
21	DE1278	DECAL,TIEDOWN		3	
22	DE1282	DECAL,PH CRUSH HAZARD		2	
23	DE1291	DECAL,ZT FRONT PANEL		1	
24	DE1302	DECAL,WHEEL LOAD ZT-1630		4	
25	DE1303	DECAL,CHARGER CORD		1	
26	DE1304	DECAL,PTP		1	
27	DE1305	DECAL,MAINT LOCK		2	
28	DE1307	DECAL,CAPACITY,650#,1P,I,WO/SO		1	
29	DE1317	DECAL,QR ZT SERIES 5		2	
30	DE795.1	DECAL,CTL UPR ZTS5		1	
31	DE796.1	DECAL,CTL UPR ID ZT S4		1	
32	DE839	DECAL,CHARGER PRO 24V12A		1	
33	DE841	DECAL,BATT DISCONNECT		1	
34	DE842	DECAL,CTL PANEL		1	
35	DE1216	DECAL,MODEL ZT-1630		2	
36	DE7032	DECAL,SERIAL NO ZT-SERIES		1	

6.1 | **OPTIONS**

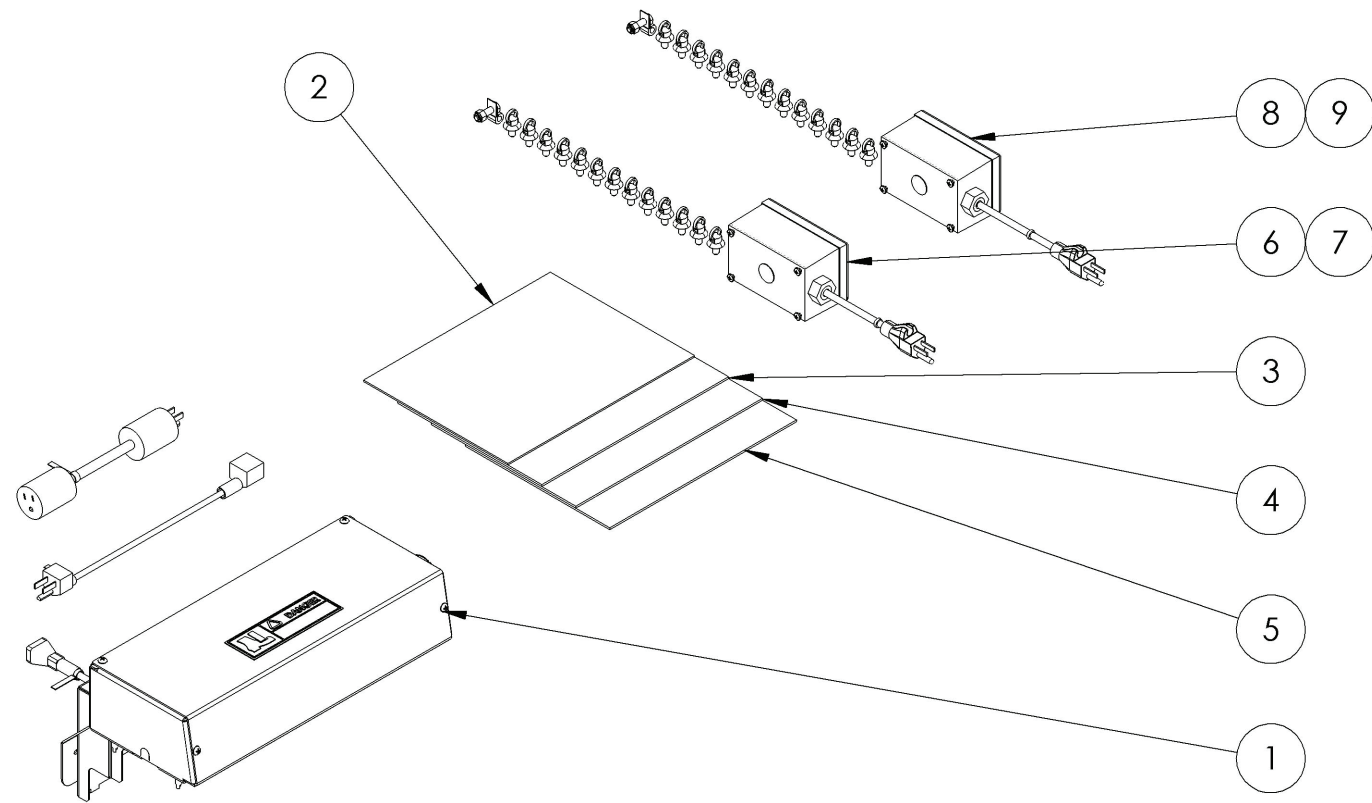


FIGURE 20: Options & Miscellaneous Parts

THIS PAGE WAS INTENTIONALLY LEFT BLANK

Item #	Part Number	Part Description	Notes	Qty	Superseded By
1	129-21-238-50	ASM,INVERTER OPT		1	
2	MISC-602	MANUAL,RESP,A92.2-24		1	
3	ZT5.0-S	MANUAL OP,ZERO TURN S5		1	
4	ZT5.0-M	MANUAL MAINT,ZERO TURN S5		1	
5	ZT5.0-P	MANUAL PARTS,ZERO TURN S5		1	
6	129-21-519-50	ASM,PTP SUB ZT1630 S5		1	
7	129-21-518-50	ASM,PTP SUB ZT1630		1	
8	129-21-519-55	ASM,PTP SUB ZT1230 S5		1	
9	129-21-518-55	ASM,PTP SUB ZT1230		1	







# **HY-BRID LIFTS™**

BY CUSTOM EQUIPMENT LLC

Self-Propelled  
Mobile Elevated Work Platform  
ZT-1230, ZT-1630

Parts  
Manual

Custom Equipment, LLC  
2647 Highway 175  
Richfield, WI 53076  
U.S.A.

☎ +1.262.644.1300

📠 +1.262.644.1320

🌐 [hybridlifts.com](http://hybridlifts.com)

“Hy-Brid Lifts” is a trademark of Custom Equipment, LLC. These machines comply with ANSI/SIA A92.20 and CSA-B354.6:17.

Revision Date: May 2022

Printed in the U.S.A.