

HY-BRID LIFTS™

BY CUSTOM EQUIPMENT LLC

OPERATIONS & SAFETY MANUAL
SELF-PROPELLED AERIAL WORK PLATFORM

SUPO-693
REV C



HB-1030

HB-1430

SERIES II

Original instructions are written in English.

The purpose of this Operations and Safety manual is to provide users with the instructions and operating procedures essential to properly and safely operate the Custom Equipment Hy-Brid Lift for its intended purpose, and to position personnel and their necessary tools and materials.



**THE OPERATION AND SAFETY MANUAL MUST BE
READ AND UNDERSTOOD PRIOR TO OPERATING THE MACHINE.**

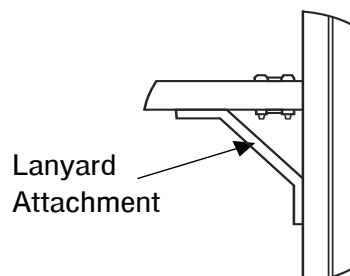
- The user/operator should not accept operating responsibility until the manual has been read and understood as well as having operated the lift under supervision of an experienced and qualified operator.
- Because the manufacturer has no direct control over machine application and operation, proper safety practices are the responsibility of the user and all operating personnel.



**ANY MODIFICATION ON THIS MACHINE WITHOUT THE EXPRESS WRITTEN CONSENT OF THE
MANUFACTURER IS PROHIBITED.**

Fall protection notice:

The guardrail system around the perimeter of the platform is the fall protection system for self-propelled elevating work platforms per the ANSI/SIA A92.6 Standard. It is prohibited to use an Aerial Work Platform manufactured by Custom Equipment, LLC, with any portion—or all—of the guardrails removed. Lanyard anchorage points on this type of equipment are not required to conform to the applicable standard. However, if anchorage points for lanyard attachments are required by site authorities or other regulations, the anchorage points on all equipment manufactured by Custom Equipment, LLC are recommended to be used for work positioning restraints of personnel only. Lanyard lengths are to be determined by operator/owner to restrict the operator to the confines within the guardrail system.



**USE OF FALL ARREST SYSTEMS ATTACHED TO ANCHORAGE POINTS
ON EQUIPMENT MAY CAUSE MACHINE TO TIP, RESULTING IN SERIOUS INJURY OR DEATH.**

TABLE OF CONTENTS

NOTES.....	2
FOREWORD	3
TABLE OF CONTENTS.....	4
INDEX OF FIGURES.....	5
SECTION 1 SAFETY.....	6
1.1 SAFETY SYMBOLS.....	6
1.2 GENERAL RULES AND PRECAUTIONS	6
1.3 SAFETY FEATURES	7
1.4 SAFETY INDICATORS & INTERLOCKS.....	7
1.5 SAFETY CONTROLS.....	7
1.6 MAINTENANCE LOCK.....	8
1.7 SAFETY GUIDELINES.....	9
1.8 PROPOSITION 65.....	10
SECTION 2 PRODUCT DESCRIPTION.....	12
2.1 GENERAL.....	12
SECTION 3 DECALS.....	14
3.1 DECAL LOCATION.....	14
3.2 DECAL DESCRIPTIONS.....	15
3.3 DECAL SYMBOLS.....	16
SECTION 4 TRANSPORT, HANDLING & STORAGE.....	20
4.1 PRELIMINARY UNPACKING INSTRUCTIONS AND DEALER INSPECTION	20
4.2 STORAGE.....	20
4.3 PREPARATION FOR TRANSPORT	20
4.4 LIFTING AND TIE-DOWN POINTS.....	20
4.5 FORK LIFT POCKETS.....	21
SECTION 5 OPERATION	22
5.1 BEFORE YOU OPERATE	22
5.2 STARTUP/SHUT DOWN.....	23
5.3 DRIVING AND STEERING.....	24
5.4 ELEVATING AND LOWERING	24
5.5 EXTENDING THE PLATFORM.....	25
5.6 DAILY MAINTENANCE.....	26
5.7 CHARGING THE BATTERY	26
5.8 BATTERY DISPLAYS.....	27
SECTION 6 PRE-START INSPECTION	30
6.1 PRE-START INSPECTION CHECKLIST.....	30

INDEX OF FIGURES

FIGURE 1: Pothole Guard.....	7
FIGURE 2: Emergency Lowering Valve.....	8
FIGURE 3: Down Instruction Decal No. DE600-29	8
FIGURE 4: Maintenance Lock Pin use	9
FIGURE 5: Maintenance Lock Pin storage.....	9
FIGURE 6: Decal Locations	14
FIGURE 7: Brake Release	20
FIGURE 8: Fork Pockets.....	21
FIGURE 9: Tie-Down Points	21
FIGURE 10: Center of Gravity.....	21
FIGURE 11: Base Controls	22
FIGURE 12: Platform Controls.....	22
FIGURE 13: Main power switch	23
FIGURE 14: Main power switch off.....	23
FIGURE 15: Main power switch knob removed.....	23
FIGURE 16: Secure Location	23
FIGURE 17: Slide Lock	25
FIGURE 18: Lester Prime Battery Charge Indicator Location	27
FIGURE 19: Lester SLM Battery Charge Indicator Location	28
FIGURE 20: Signet Battery Charge Indicator Location.....	29
FIGURE 21: PCS/Dual Pro Battery Charge Indicator Location	29

Revisions:

REV A: Initial Release Reference 2015-2583	JANUARY 2016
REV B: Reference 2017-3206,3215	JANUARY 2018
REV C:.....	MARCH 2019

SECTION 1 | SAFETY

1.1 | SAFETY SYMBOLS



FAILURE TO FOLLOW THIS WARNING WILL CAUSE DEATH OR PERSONAL INJURY.

“DANGER” indicates an imminently hazardous situation, which, if not avoided, will result in death or serious injury.



FAILURE TO FOLLOW THIS WARNING MAY CAUSE DEATH OR PERSONAL INJURY.

“WARNING” indicates a potentially hazardous situation, which, if not avoided, could result in death or serious injury.



FAILURE TO FOLLOW THIS WARNING MAY CAUSE INJURY OR DAMAGE TO EQUIPMENT.

“CAUTION” indicates a potentially hazardous situation which, if not avoided, could result in minor or moderate injury or damage to equipment.

1.2 | GENERAL RULES AND PRECAUTIONS

An operator of any type of work platform is subject to certain hazards that cannot be protected by mechanical means. It is therefore essential that operators be competent, careful, physically and mentally fit and thoroughly trained in safe operation of this machine.

Although Custom Equipment, LLC conforms to specified ANSI & OSHA, it is the responsibility of the owner to instruct operators with the safety requirements made not only by Custom Equipment, LLC, but by the various safety boards in your area, as well as additional requirements set forth by ANSI and OSHA. If you come across a situation that you think might be unsafe, stop the platform and request further information from qualified sources before proceeding.



NEVER REACH BETWEEN SCISSORS LINKS OR PROP UP PLATFORM.



STEERING BRACKETS EXTENDING BEYOND THE SIDES OF THE BASE MAY OCCUR IN TIGHT TURNING SITUATIONS.

Potential damage to walls, etc., may occur in tight turning situations due to the steering brackets extending beyond the sides of the base.

1.3 | SAFETY FEATURES

- Puncture-Proof Wheels.
- Guardrails—42 in (1.07 m) height with 4 in (10.16 cm) kick plates.
- Non-Slip Deck.
- Entrance Gate.
- Automatic Parking Brake.
- Free Descent Protection. A velocity fuse is installed in the hydraulic circuit to prevent the platform from descending in case of a ruptured hydraulic hose. The platform is hydraulically locked until hose has been replaced.
- Decals: Danger, Caution, and Warning decals are displayed at various locations on this unit.
- Key Switch Security. A key switch is required to prevent unauthorized use.

1.4 | SAFETY INDICATORS & INTERLOCKS

Tilt Alarm

An audible alarm sounds when the machine is tilted more than 2°. Lower the platform and move to a level surface.

Descent/Motion Alarm

An audible alarm sounds when the machine is lowering. Some models also sound an alarm when the machine is elevating or driving.

Pothole Protection

Pothole guards are required to be in place when the lift is in the elevated position. If the guards are blocked or not functioning properly, elevating functions will be inhibited. Lower the machine and do not operate until the problem is repaired or the obstruction is removed.

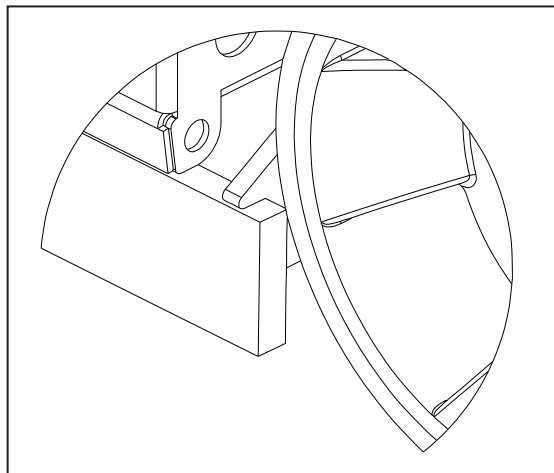


FIGURE 1: Pothole Guard

1.5 | SAFETY CONTROLS

Descent - Manual Override

For manually lowering the scissors, a manual valve on the pump is provided. Lift the panel on the side cover and locate valve on the hydraulic pump. Push and turn the knob located on down valve counterclockwise to open. Knob will pop up. To reset, push and turn counterclockwise direction.

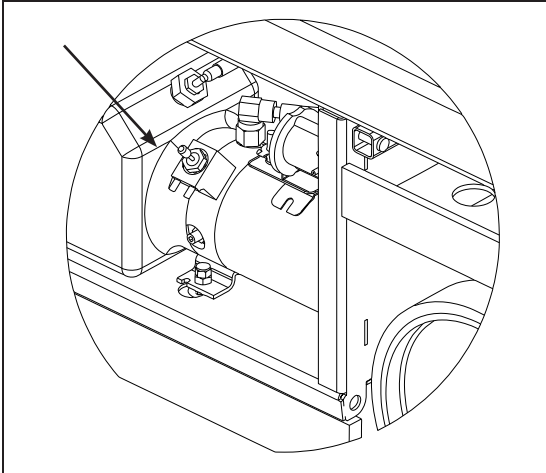


FIGURE 2: Emergency Lowering Valve

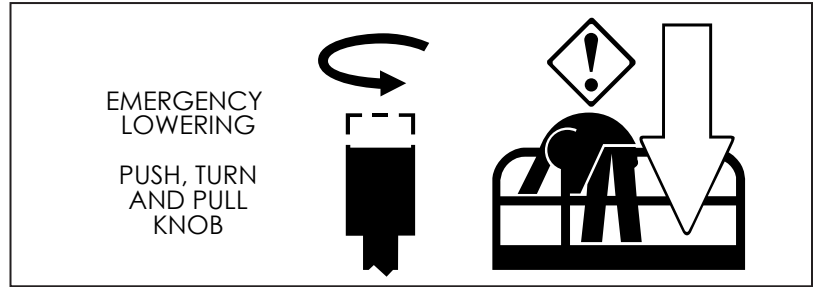


FIGURE 3: Down Instruction Decal No. DE600-29



IF PLATFORM SHOULD FAIL TO LOWER, DO NOT ATTEMPT TO CLIMB DOWN THE BEAM ASSEMBLY. SERIOUS INJURY MAY RESULT. HAVE AN EXPERIENCED OPERATOR USE THE EMERGENCY LOWERING PROCEDURE TO SAFELY LOWER THE PLATFORM.



BEFORE LOWERING PLATFORM, RETRACT THE DECK EXTENSION.

Emergency Stop

This lift is equipped with two emergency stop switches, one at the platform control and one at the base control, that when activated, will render the unit inoperable until reset. To reset, pull the button out.



PUSHING THE EMERGENCY STOP BUTTON WILL APPLY BRAKES IMMEDIATELY. THIS MAY CAUSE UNEXPECTED PLATFORM MOVEMENT AS THE MACHINE COMES TO A SUDDEN STOP. BRACE YOURSELF AND SECURE OBJECTS ON THE PLATFORM DURING OPERATION OF THE MACHINE.

1.6 | MAINTENANCE LOCK

The maintenance lock pins must be placed into position whenever the machine is being serviced in the raised or partially raised position. Serious injury and/or death could result if maintenance lock is not used properly.

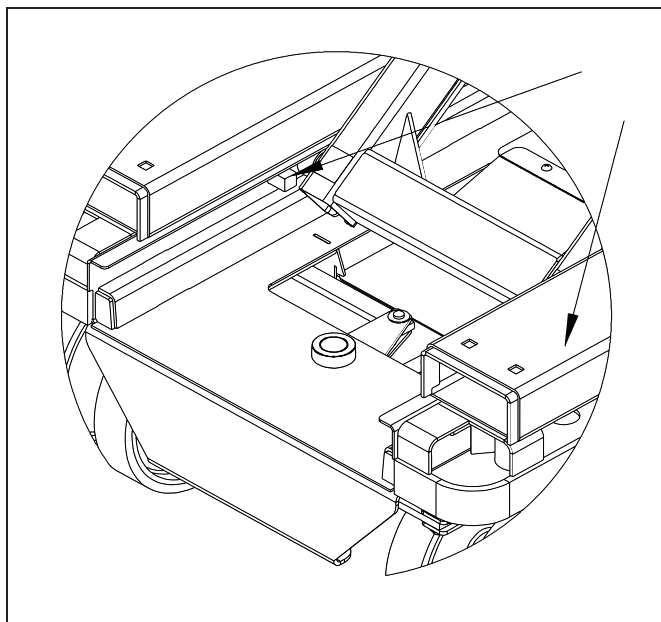


FIGURE 4: Maintenance Lock Pin use

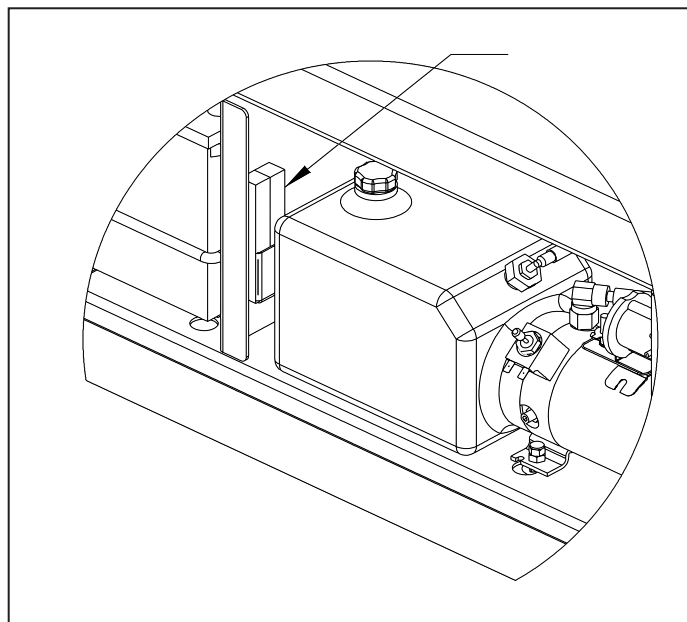


FIGURE 5: Maintenance Lock Pin storage

1.7 | SAFETY GUIDELINES

Only qualified operators may operate this unit.

- All operators must read and understand the Operation and Safety Manual. They must understand all decals and warning labels on unit.
- Do not work on platform if your physical condition is such that you feel dizzy or unsteady in any way.
- Do not neglect/misuse machine. Report any misuse of equipment to proper personnel.
- Prevent unauthorized use; when unit is not in use, remove key.
- It is recommended all personnel on unit wear approved personal protective equipment (PPE), i.e. head gear.

Use machine only for purposes for which it was intended.

- Lift should never be used as a crane.
- Do not exceed the load capabilities of the platform.
- Distribute load evenly over platform floor area.
- Never use unit as electrical grounds for arc welding.
- Do not override any hydraulic, mechanical, or electrical safety devices.

Check job site for unsafe working conditions.

- Watch out for others. Keep others clear of operating platform. Never allow others to pass under a raised platform or position the platform over someone.
- Avoid contact with fixed objects (walls, buildings, or other machinery, etc) or moving vehicles (automobiles, cranes, etc).
- Follow any applicable national traffic regulations.
- Use indoors only. Lift is not designed for windy conditions or electrical storms.
- Unit must be on hard level surface before elevating. Do not operate on incline or uneven surface.
- You must maintain a clearance between any part of the machine, or its load, and any electrical line or apparatus. Follow local power line clearance regulations.



**DO NOT OPERATE MACHINE NEAR POWER LINES.
THE PLATFORM AND ENCLOSURES ARE NOT INSULATED.**

Equipment is only as safe as the operator.

- Do not use ladders or scaffolding on the platform to obtain greater height.
- Do not enter or exit platform while machine is in motion.
- Never mount or dismount a raised platform.
- Make sure entry gate is secured before operating machine from the platform.
- Never belt or tie off to an adjacent structure.
- Secure tools and materials.
- Personnel must maintain a firm footing on the platform floor and work only within the platform area.
- It is recommended to avoid sudden braking or steering. Go slowly and leave more maneuvering room during cold weather operation

Before operation, ensure that the machine is properly serviced.

- Do not use machine if it is not working properly.
- Make sure platform rails and pins are secured.
- Operator shall use the maintenance lock when performing all types of maintenance procedures.
- Do not smoke while charging the battery.

1.8 | PROPOSITION 65



**THIS PRODUCT CONTAINS CHEMICALS KNOWN TO
THE STATE OF CALIFORNIA TO CAUSE CANCER,
AND BIRTH DEFECTS OR OTHER REPRODUCTIVE HARM**

For more information about Proposition 65 visit: <http://www.p65warnings.ca.gov/>

THIS PAGE WAS INTENTIONALLY LEFT BLANK

SECTION 2 | PRODUCT DESCRIPTION

2.1 | GENERAL

Custom Equipment's Hy-Brid Scissors Lift is an aerial work platform designed to be safe and reliable. The purpose of the machine is to elevate personnel, along with their necessary tools and materials to overhead work locations.

Manufacturer approval is required for any use other than the intended use.

Before operation, the operator must read and understand the manufacturer's operating instructions and user's safety rules, or have them explained, understand all labels, warnings, and instructions displayed on the aerial platform or have them explained, ensure that all occupant of the aerial platform wear appropriate protective equipment for the conditions, including the environment in which the aerial platform will be operated.

The operator must inspect the workplace for environmental hazards such as, but not limited to drop-offs, holes, slopes, debris, floor or overhead obstructions, surface, wind and weather conditions, or presence of unauthorized persons. Vibration does not create significant hazards on this machine.

	HB-1030		HB-1430	
Working Height (maximum)	16 ft	4.87 m	20 ft	6.1 m
Platform Height (maximum)	10 ft	3 m	14 ft	4.26 m
Stowed Height	65.63 in	1.67 m	70 in	1.78m
Ground Clearance (Pothole Guard Stowed)	2 in	5.1 cm	3 in	7.6 cm
Ground Clearance (Pothole Guard Engaged)	0.375 in	0.95 cm	0.375 in	0.95 cm
Overall Width	30 in	0.76 m	30 in	0.76 m
Overall Length	63.5 in	1.61 m	69.5 in	1.77 m with step
Platform (Retracted, Inside)	25 in x 60 in	0.64 m x 1.52 m	25 in x 60 in	0.64 m x 1.52 m
Slide-Out Deck Length	30 in	0.76 m	30 in	0.76 m
Guard Rail Height	42 in	1 m	42 in	1 m
Platform Entrance	21.0 in	0.53 m	25.34 in	0.64 m
Step Height	N/A	N/A	12.42 in	0.32 m
Wheel Base	51 in	1.3 m	51 in	1.3 m
Wheel Track	23.63 in	0.6 m	23.63 in	0.6 m
Turning Radius (Inside)	21 in	0.53 m	21 in	0.53 m
Tire Size (Solid, Non-Marking) - Front / Rear	8 in / 10 in	20.3 cm / 25.4 cm	10 in / 10 in	25.4 cm / 25.4 cm

RATED LOAD

Lift Capacity (Evenly Distributed):	750 lb / 2 Persons	340.2 kg / 2 Persons	670 lb. / 2 Persons	304 kg. /2 Persons
Slide-Out Deck Capacity	250 lb / 1 Person	113.4 kg / 1 Person	250 lbs / 1 Person	113.4 kg / 1 Person
Horizontal/Manual Force	112.5 lb	500 N	100.5 lb	447 N

FLOOR LOADING	HB-1030		HB-1430	
Machine Weight (Unloaded) (Approx.)	1273 lb	577.4 kg	1645 lb	746 kg
Minimum Wheel Load-Contact Pressure	62.7 psi	432.5 kPa	80.9 psi	557.6 kPa
Maximum Wheel Load-Contact Pressure	99.3 psi	684.8 kPa	113.6 psi	783.0 kPa
Minimum Machine Loading-Floor Pressure	97.2 psf	4.54 kPa	125.3 psf	6.00 kPa
Maximum Machine Loading-Floor Pressure	153.9 psf	7.37 kPa	180.0 psf	8.43 kPa

ENVIRONMENTAL LIMITATIONS

Wind	No Windy Conditions/Indoor Use Only (C)		No Windy Conditions/Indoor Use Only (C)	
Rated Slope	Level Surface		Level Surface	
Tilt Sensor Activated	2°		2°	
Gradeability (Stowed Position)	25% (14° Unloaded); 20% (11° Loaded)		25% (14° Unloaded); 20% (11° Loaded)	
Temperature	-4°F to 104°F	-20°C to 40°C	-4°F to 104°F	-20°C to 40°C
Vibration	8.2 ft/s ² max	2.5 m/s ² max	8.2 ft/s ² max	2.5 m/s ² max
Sound - Normal Use, Alarms	86 dB, 100 dB	86 dB, 100 dB	86 dB, 100 dB	86 dB, 100 dB

POWER SYSTEMS - Drive System (Proportional Electric):

Drive Speed (Platform Elevated)	0-0.7 mph	0-.31 m/s	0-0.7 mph	0-.31 m/s
Drive Speed (Platform Lowered)	0-2.5mph	0-1.18 m/s	0-2.5mph	0-1.18m/s
Lift/Lower Speed	15/14 sec	15/14 sec	21/16 sec	21/16 sec
Hydraulic Pressure (max)	1300 psi	8963 kPa	1300 psi	8963 kPa
Hydraulic Fluid Capacity	1.325 gal	5.38 L	1.325 gal	5.38 L
Power System-Voltage	24V DC	24V DC	24V DC	24V DC
Batteries-Deep Cycle Marine	(2) 12V, Group 27	(2) 12V, Group 27	(2) 12V, Group 27	(2) 12V, Group 27

SECTION 3 | DECALS

3.1 | DECAL LOCATION

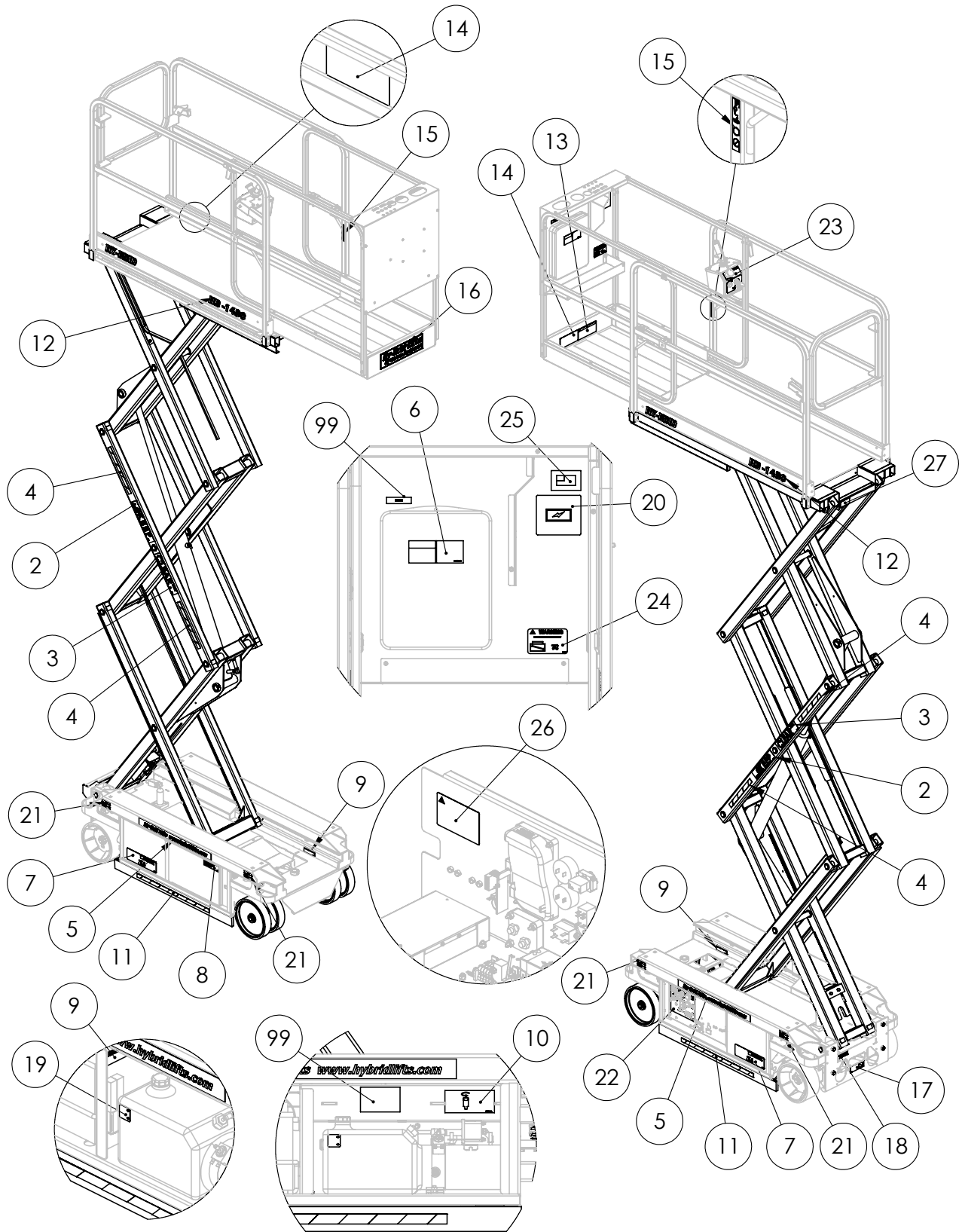


FIGURE 6: Decal Locations

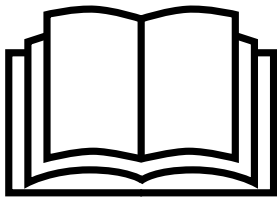
3.2 | DECAL DESCRIPTIONS

ITEM #	PART #	DECAL MEANING OR DESIGNATION	QTY
1	112-21-218-50-K OR 112-21-218-55-K	DECALS,HB-1030 OR DECALS,HB-1430	1
2	DE707	DECAL,KEEP	2
3	DE708	DECAL,CLEAR	2
4	DE717-62	DECAL,SAFETY STRIPE (12.00)	4
5	DE822	DECAL,WEBSITE	2
6	DE600E-10	DECAL,MANUAL BOX	1
7	DE709	DECAL, LWR	2
8	DE600-28	DECAL,E-DOWN LOCATION	1
9	DE600E-14	DECAL,MAINT LOCK	3
10	DE600-29	DECAL,E-DOWN	1
11	DE717-61	DECAL,SAFETY STRIPE (24.00)	2
12	DE603 OR DE603-1	DECAL,MODEL HB-1030 OR DECAL,MODEL HB-1430	2
13	DE706	DECAL,UPR HB	1
14	DE732 OR DE733	DECAL,CAPACITY,670#,2P,I,W/SO OF DECAL,CAPACITY,670#,2P,I,W/SO	2
15	DE746	DECAL,LANYARD ATTACHMENT	2
16	DE821	DECAL,LOGO HY-BRID	1
17	DE747	DECAL,BRAKE RELEASE/NO TOW	1
18	DE753	DECAL,CHARGER CORD	1
19	DE679	DECAL,HYDR FLUID	1
20	DE777	DECAL,BATT CHARGE DAILY	1
21	DE663	DECAL,WHEEL LOAD HB-1430 S2	4
22	DE770	DECAL,CTL LWR HBLG-ANSI	1
23	DE772	DECAL,CTL UPR	1
24	DE649	DECAL,CAPACITY, TOOL TRAY	1
25	DE782	DECAL,MADE IN USA	1
26	DE797	DECAL,BATT/CHR COMPATABILITY	1
27	DE1230	DECAL,PROP 65	1
99	N/A	SERIAL NUMBER REFERENCE	0

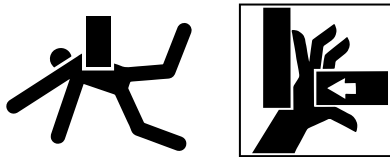
3.3 | DECAL SYMBOLS



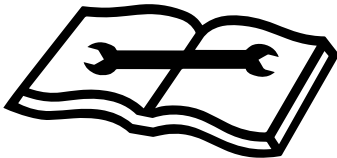
- No Unauthorized Use
- Do not operate this machine unless you have been trained in safe operation.
- Training includes complete knowledge of the safety and operating instructions contained in the manufacturer’s manual, your employer’s work rules, and applicable government regulations.
- An untrained operator subjects himself and others to death or serious injury.



- Read and understand all dangers and warnings in the operator’s manual before operating this machine.
- Improper use of this machine could cause death or serious injury.
- Inspect machine and make sure that it is operating properly, that all name plate and hazard signs are in place and legible, and that the machine is in accordance with the manufacturer’s maintenance requirements contained in the operating and maintenance requirements contained in the operation and maintenance manual and the daily safety checklist.



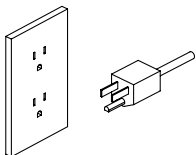
- Crushing Hazard
- Do not enter the space beneath the work platform or scissor structure unless the maintenance lock is in place.



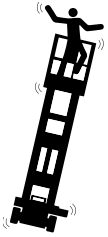
- Refer to Maintenance Manual
- Only qualified service personnel may service the machine. Failure to comply with listed safety precautions may result in machine damage, personnel injury, or death.
- Replace designated items with manufacturer’s specified equipment only. Failure to use these items may cause instability of platform.



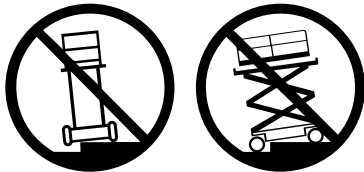
- Batteries produce explosive gas. Only charge batteries in a well-ventilated area.
- Do not expose to sparks or flames.
- Do not smoke while charging battery.



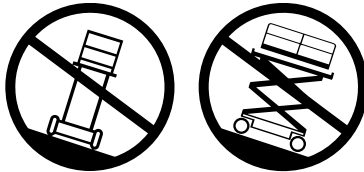
- Battery Charger Cord



- Tip Hazard



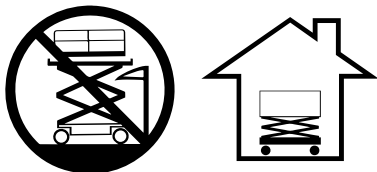
- Tip Hazard
- Do not elevate platform on an incline or step.



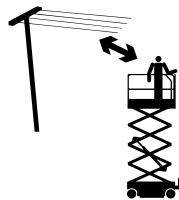
- Tip Hazard
- Do not elevate platform on a slope.



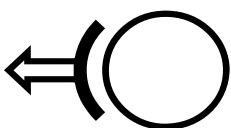
- Tip Hazard
- Do not elevate platform on uneven or soft surfaces.



- Indoor Use Only: No Wind Load



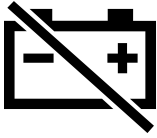
- Electrocution Hazard
- This machine is not insulated.
- Maintain safe clearance from electrical lines and apparatus. You must allow for machine sway, rock or sag and electrical lines swaying.
- This machine does not provide protection from contact with or proximity to an electrically charged conductor.
- You must maintain a clearance between any part of this machine or its load and any electrical apparatus. Follow local power line regulations.
- Death or serious injury will result from contact or inadequate clearance.



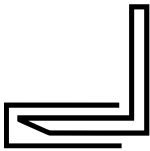
- Brake Release



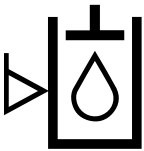
- Emergency Lowering



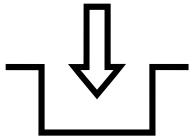
- Battery disconnect



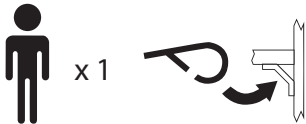
- Fork pocket



- Hydraulic oil level



- Engaging mechanical Action: Enable Switch



- Lanyard anchorage point location: Capacity 1 Person



- Lanyard anchorage points are for work positioning restraints only, not for fall protection.
- Use of fall arrest systems attached to anchorage points on mobile equipment may cause machine to tip, resulting in serious injury or death.

THIS PAGE WAS INTENTIONALLY LEFT BLANK

SECTION 4 | TRANSPORT, HANDLING & STORAGE

4.1 | PRELIMINARY UNPACKING INSTRUCTIONS AND DEALER INSPECTION

Maintenance locks must be engaged prior to inspecting or servicing the unit when the platform is elevated. Inspect machine for any possible damage during shipment; perform pre-delivery inspection. See checklist in the Maintenance Manual. Reset emergency stop switches, if necessary.

4.2 | STORAGE

After periods of storage or exposure to extremes of ambient conditions (heat, cold, moisture, dust etc.) inspect the machine. Refer to the Pre-Delivery/Frequent Inspection Checklist of the Maintenance Manual.

4.3 | PREPARATION FOR TRANSPORT

Lower the work platform to the down position. Bring the platform slide-out extension into the retracted position and lock in place. Turn the key switch to off position. Check the entire machine for loose or unsecured items. Remove any loose items from machine.

The machine can be pushed by releasing the parking brake at the rear of the machine. Push both levers toward the floor. To resume normal operation, make sure both levers are up.

Do not attempt to push or tow unit with the brakes applied. Severe gear damage will occur. Towing is not recommended.

To release brake for winching or pushing, rotate brake handles. Do not push at speeds more than 2 mph (0.9 m/s).

NOTE: The drive system will not function if the parking brake is in the down release position.

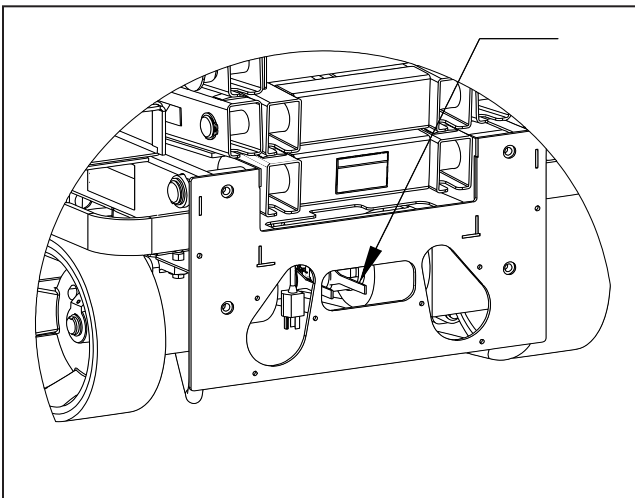


FIGURE 7: Brake Release



**DO NOT OVERLOAD BINDERS WHEN SECURING
LOAD FOR TRANSPORT**

4.4 | LIFTING AND TIE-DOWN POINTS

Tie-down points are provided for securing the machine on a trailer or truck bed for transport between places of use. They may also be used as lift points.

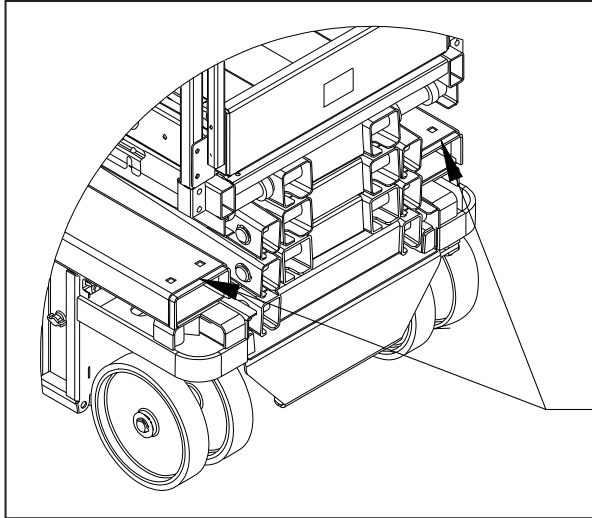


FIGURE 8: Fork Pockets

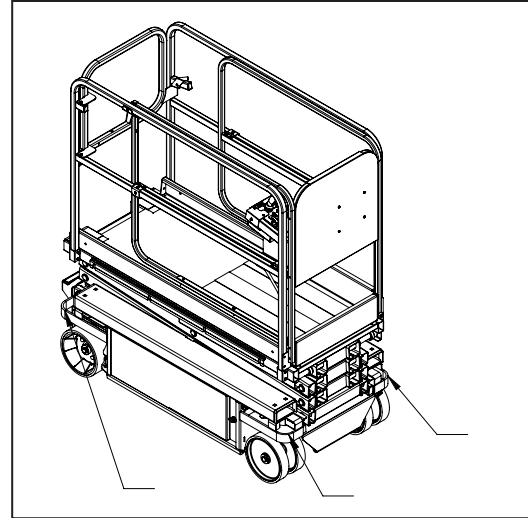


FIGURE 9: Tie-Down Points

4.5 | FORK LIFT POCKETS

Fork lift pockets are provided from the front and back of the unit for loading and unloading. A forklift from the side of the machine is not recommended. Do not use a forklift underneath the machine from the back. When moving machine with a forklift, do not let machine slide along floor. Bring forklift to a stop and then gently lower the machine.

Center of Gravity

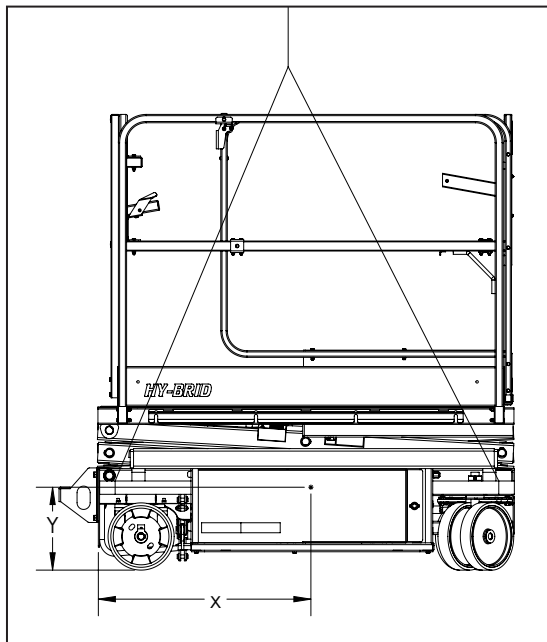


FIGURE 10: Center of Gravity

	X Axis	Y Axis
HB-1030	32.3 in (82 cm)	15.8 in (40.1 cm)
HB-1430	31.7 in (80.5 cm)	16.5 in (41.9 cm)

SECTION 5 | OPERATION

5.1 | BEFORE YOU OPERATE

Before use each day or at the beginning of each shift, the machine shall be given a visual inspection and functional test. Repairs (if any) must be made prior to operating the machine, as it is critical to ensure safe operation of the machine. A checklist for pre-start inspection can be found on page 30 of this manual.

Base Controls

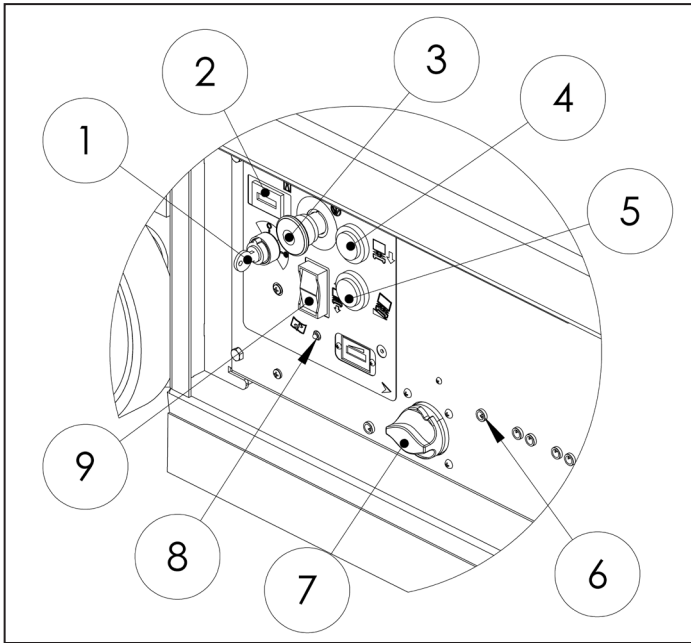


FIGURE 11: Base Controls

Item	Control/Indicator
1	Key Switch Operation described as follows
2	Hour Meter Displays operation hours
3	Emergency Stop Operation described in Safety Controls
4	Beeper (Descent/Motion Alarm) See Safety Indicators for more information
5	Beeper (Tilt Alarm) See Safety Indicators for more information
6	Battery Charger Indicator Lights
7	Master Power Switch Operation described as follows
8	Diagnostic Light
9	Up/Down Rocker Switch

Platform Controls

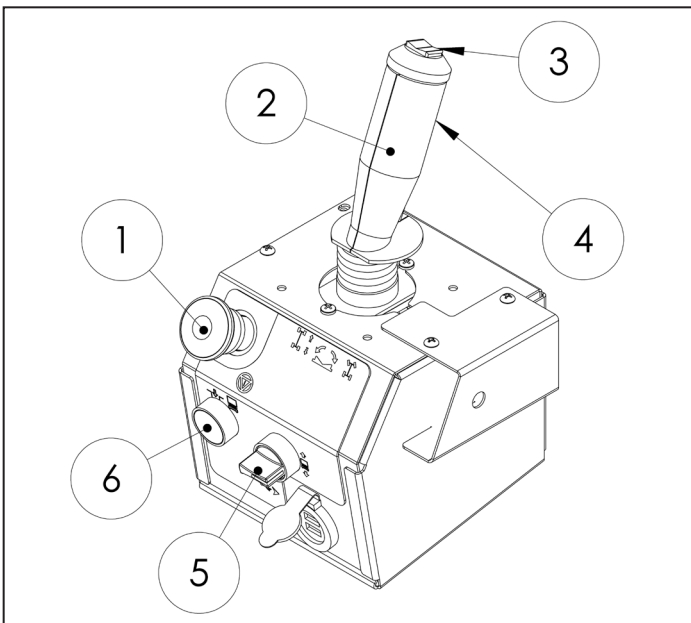


FIGURE 12: Platform Controls

Item	Control/Indicator
1	Emergency Stop Operation described in Safety Controls
2	Joystick
3	Steering Thumb Switch
4	Drive Enable Trigger
5	Elevate/Lower Switch
6	Elevate/Lower Enable Switch

5.2 | STARTUP/SHUT DOWN



**THE OPERATOR MUST BE AWARE OF THE ENVIRONMENT.
DO NOT RAISE THE PLATFORM IF THE MACHINE IS NOT ON A FIRM, LEVEL SURFACE.**

Operation Startup & Shutdown Practices

- Check that the work area is safe.
- Check that the Master Power Switch is in the "ON" position
- Ensure that the key in the lower control panel is in the "ON" position.
- Machine must be on a hard, level, surface before operation.
- Enter the work platform in the stowed position using the constant three point contact method.
- Follow all general rules and precautions stated in this manual
- When finished with the machine, place the platform in the stowed position.
- Park the machine on a level surface.
- Carefully exit the platform using the constant three point contact method.
- NEVER JUMP OFF PLATFORM.
- Remove key from lower control panel to prevent unauthorized use.
- The master power switch knob may be removed when in the isolated position and placed in a secure, padlockable location. (Ex. In the manual box).

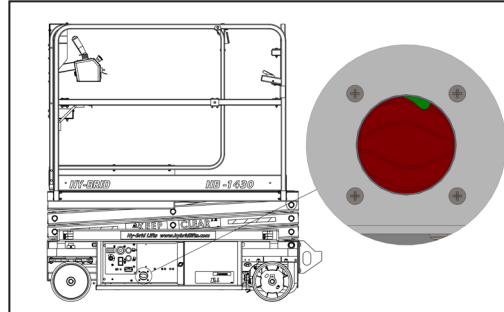


FIGURE 13: Main power switch

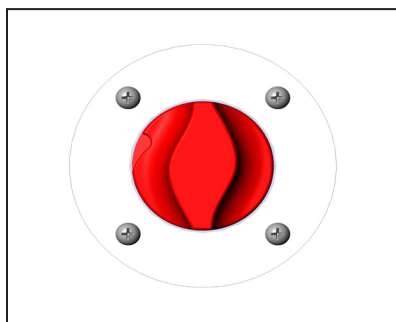


FIGURE 14: Main power switch off

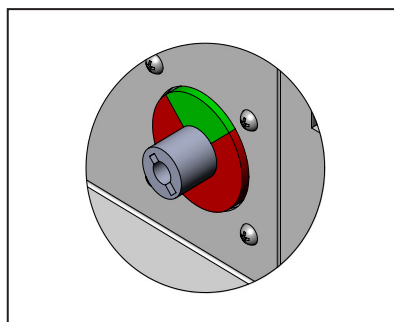


FIGURE 15: Main power switch knob removed

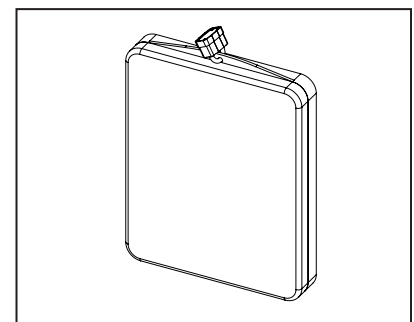


FIGURE 16: Secure Location

5.3 | DRIVING AND STEERING



CHECK THAT THE ROUTE OF TRAVEL TO BE TAKEN IS CLEAR OF PEOPLE, OBSTRUCTIONS, DEBRIS, HOLES, AND DROP-OFFS; AND IS CAPABLE OF SUPPORTING THE MACHINE.

Always check front steer wheel direction before driving. If there is resistance in turning the casters while pivoting the machine, steer forward to allow the casters to straighten out before turning.

For best control, distribute the load on the work platform toward the rear of the machine if possible.

To activate drive function, select drive mode using the switch on the platform control box.

To drive, hold the joystick trigger while moving the joystick. Moving the joystick will cause the machine to drive in that direction. Moving the joystick handle away from the operator will cause FORWARD travel, and pulling the joystick toward the operator will cause REVERSE travel. Moving the joystick directly to one side or the other will cause the machine to pivot. Travel speed is proportional and is controlled by the joystick. The farther it is moved, the faster the speed will be. The joystick returns to the neutral position when released.

Braking: For parking, the brake is automatically applied when the joystick is positioned in the center (neutral) position. In the event of a machine failure, the machine can be pushed by releasing the parking brake at the rear of the machine. See Section 4.3 on page 20 for brake release information.

5.4 | ELEVATING AND LOWERING

Using Upper Platform Controls

To raise or lower the platform, press the Lift/Lower Enable Button in front of the joystick. While holding down the Enable Button, hold down the Up or Down Button until the platform is in the desired position. The drive function is disabled when the Lift/Lower Enable Button is depressed.

Using Lower Base Controls

Pressing the top of the switch raises the platform, pressing the bottom lowers the platform.

5.5 | EXTENDING THE PLATFORM

1. Stand on the platform deck.
2. Grip the Slide Lock Handle (Figure 13) to allow the deck to slide.
3. Slide the deck out to one of two locking points, one at approximately 15 in (38 cm) extension, the other at approximately 30 in (76.2 cm) extension.
4. Release the handle to keep deck in place. Be sure lock is engaged before entering.

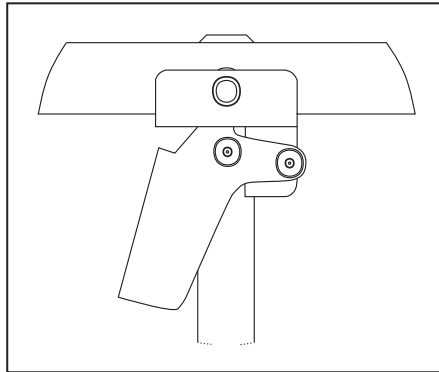


FIGURE 17: Slide Lock



CHECK THAT THE ROUTE OF TRAVEL TO BE TAKEN IS CLEAR OF PEOPLE, OBSTRUCTIONS, DEBRIS, HOLES, DROP-OFFS; AND IS CAPABLE OF SUPPORTING THE MACHINE.



IF THE SLIDE-OUT DECK IS EXTENDED, CHECK FOR CLEARANCE UNDER AREA BEFORE LOWERING PLATFORM.



DO NOT DRIVE UNIT WHEN STANDING ON EXTENSION. STAND ON PLATFORM BEHIND JOYSTICK.

5.6 | DAILY MAINTENANCE

Regular inspection and conscientious maintenance is important to efficient economical operation of this machine. It will help to assure that equipment will perform satisfactorily with a minimum of service and repair. Make checks at the stated intervals or more frequently if required by local operating conditions. A Pre-Start Inspection Checklist is included in this manual on page 30.

Additional maintenance for use by trained personnel is included in a separate Maintenance Manual. Refer to the Maintenance Manual for Pre-Delivery/Frequent and Monthly Checklists and replacement part information.



FAILURE TO PERFORM INSPECTIONS AND PREVENTATIVE MAINTENANCE AT RECOMMENDED INTERVALS MAY RESULT IN THE UNIT BEING OPERATED WITH DEFECTS THAT MAY RESULT IN INJURY OR DEATH OF THE OPERATOR.

5.7 | CHARGING THE BATTERY

This unit is equipped with deep cycle 12-volt batteries. The care and maintenance of your battery has much to do with how well this unit functions. Battery wiring and water level should be checked monthly. Do not overfill. When the cells are too full, fluid will seep out when charging.

NOTE: The surrounding temperature greatly affects the power reserve within a battery.

EXAMPLE: A battery that is 100% charged at 80° F (27°C) drops to 65% at 32°F (0°C). At 0°F (-18°C), this battery will drop to 40% efficiency.



LEAD-ACID BATTERIES GENERATE EXPLOSIVE GASES. KEEP SPARKS AND FLAME AWAY FROM BATTERIES. DO NOT SMOKE WHILE CHARGING.

The charger may be equipped with an interlock circuit. If so equipped, the unit will not operate while charging.

To Charge:

- Park the machine on a level surface.
- Plug charger into AC outlet until charged.
- Unplug charger.

The charger will not begin the charging cycle on severely discharged batteries. This will be evident by the three indicators blinking simultaneously.

5.8 | BATTERY DISPLAYS

This unit is equipped with one of several battery chargers. If the battery charger on this machine does not appear below, there may be an additional manual addendum included in the manual box.



**DO NOT OPERATE UNIT
WHILE CHARGING.**



NEVER ADD ACID TO BATTERY!

The solution is at its proper strength when the battery is manufactured. Use distilled water and keep fluid up to proper level. When required, water should be added to battery after charging.

Battery Charge Indicators: Lester Prime

(Charge Status indicated with Amber or Green light; Errors indicated with Red light)

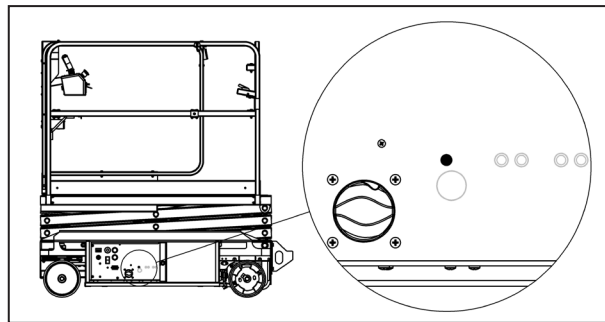














FIGURE 18: Lester Prime Battery Charge Indicator Location

AMBER (Charge Status)	GREEN (Charge Complete)	DESCRIPTION
 (SLOW)	 (OFF)	Bulk/Start charge cycle phase (constant power or constant current)
 (FAST)	 (OFF)	Absorption/Plateau charge cycle phase (constant voltage). Greater than 80% charged
 (SOLID ON)	 (OFF)	Finish charge cycle phase (constant current). Not all charge profiles include a Finish phase. Applies to wet cell batteries only.
 (OFF)	 (FAST)	Balance/Equalize phase. An extended charge cycle is occurring because a trigger condition has been met (cycle count, etc). Not all charge profiles include a Balance/Equalize phase. Applies to wet cell batteries. This happens usually every 30 cycles or when the voltage at shut off is less than 2.5 volts/cell. Or 30vdc
 (OFF)	 (SOLID ON)	Charge cycle complete
 (OFF)	 (SLOW)	Charge cycle complete. Post Charge phase (constant voltage flat, etc.) Not all charge profiles include a Post Charge phase. Applies to AGM or gel cell batteries only.

Battery Charge Indicators: Lester SLM

(Charge Status indicated with Green light; Errors indicated with Red light)

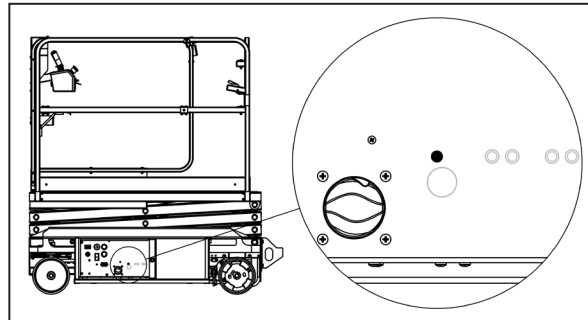





























FIGURE 19: Lester SLM Battery Charge Indicator Location

GREEN	RED	AMBER	DESCRIPTION
 (OFF)	 (OFF)	 (OFF)	Charger is off and disconnected from live AC voltage
 (OFF)	 (OFF)	 (SOLID ON)	LED Check during charge initialization which occurs for the first few seconds
 (SLOW)	 (OFF)	 (OFF)	Start/Bulk charge cycle phase (constant power/constant current) or Plateau/Absorption charge cycle phase (constant voltage)
 (FAST)	 (OFF)	 (OFF)	Finish charge cycle phase (constant current). (Not all charge profiles include a Finish phase.) OR Equalize/Balance charge cycle phase (constant current), which occurs when a trigger condition has been met. (Not all charge profiles include a Finish phase.) OR Post Charge phase (constant-voltage float). (Not all charge profiles include a Post Charge phase.)
 (SOLID ON)	 (OFF)	 (OFF)	Charge Cycle Complete
 (OFF)	 (SLOW)	 (OFF)	Charger-related fault that causes the unit to stop charging.
 (OFF)	 (FAST)	 (OFF)	Charger-related fault that does not cause the unit to stop charging. Charging will continue but performance will be reduced.
 (OFF)	 (SOLID ON)	 (OFF)	Battery-related fault. MIN VOLTAGE-Minimum voltage was not met after a specified time from the start of the charge cycle MAX VOLTAGE - Maximum voltage was met. PHASE-Maximum time for a particular charge cycle phase (start/bulk, plateau/absorption, finish) was met. MAX TIME- Maximum time for the overall charge cycle was met.
 (ALTERNATING)	 (ALTERNATING)	 (OFF)	Active Charge Profile DIP switch positions are invalid.

Battery Charge Indicators: Signet

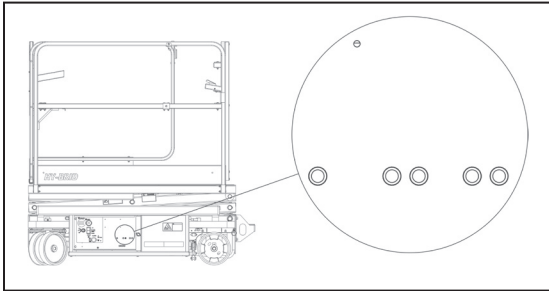


FIGURE 20: Signet Battery Charge Indicator Location

CHARGING STATE	50%	75%	100%	GEL
0-50% Charged	Blinking	Off	Off	NA
50-75% Charged	On	Blinking	Off	NA
75-100% Charged	On	On	Blinking	NA
100% Charged	On	On	On	NA
Charge-Flooded Batteries	NA	NA	NA	Off
Charge-Sealed Batteries	NA	NA	NA	On
Abnormal Cycle	Off	Off	Blinking	NA

Battery Charge Indicators: PCS/Dual Pro

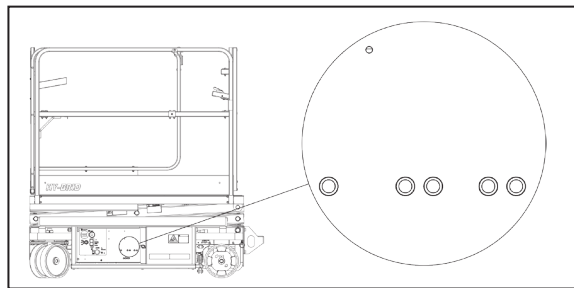


FIGURE 21: PCS/Dual Pro Battery Charge Indicator Location

<table border="0"> <tr> <th colspan="3">Battery 1 Status</th> <th colspan="2">Battery 2 Status</th> </tr> <tr> <td>Power</td> <td>Charging</td> <td>Ready</td> <td>Charging</td> <td>Ready</td> </tr> <tr> <td></td> <td></td> <td></td> <td></td> <td></td> </tr> <tr> <td>Green LED (ON)</td> <td>Red LED (OFF)</td> <td>Green LED (OFF)</td> <td>Red LED (OFF)</td> <td>Green LED (OFF)</td> </tr> </table>	Battery 1 Status			Battery 2 Status		Power	Charging	Ready	Charging	Ready						Green LED (ON)	Red LED (OFF)	Green LED (OFF)	Red LED (OFF)	Green LED (OFF)	<p>This display indicates that the power is on but there is no connection to a battery. The charger must see approximately five (5) volts on a battery to deliver D/C current.</p>
Battery 1 Status			Battery 2 Status																		
Power	Charging	Ready	Charging	Ready																	
Green LED (ON)	Red LED (OFF)	Green LED (OFF)	Red LED (OFF)	Green LED (OFF)																	
<table border="0"> <tr> <th colspan="3">Battery 1 Status</th> <th colspan="2">Battery 2 Status</th> </tr> <tr> <td>Power</td> <td>Charging</td> <td>Ready</td> <td>Charging</td> <td>Ready</td> </tr> <tr> <td></td> <td></td> <td></td> <td></td> <td></td> </tr> <tr> <td>Green LED (ON)</td> <td>Red LED (ON)</td> <td>Green LED (OFF)</td> <td>Red LED (ON)</td> <td>Green LED (OFF)</td> </tr> </table>	Battery 1 Status			Battery 2 Status		Power	Charging	Ready	Charging	Ready						Green LED (ON)	Red LED (ON)	Green LED (OFF)	Red LED (ON)	Green LED (OFF)	<p>This display indicates that power is on and that both outputs are delivering D/C current to the batteries.</p>
Battery 1 Status			Battery 2 Status																		
Power	Charging	Ready	Charging	Ready																	
Green LED (ON)	Red LED (ON)	Green LED (OFF)	Red LED (ON)	Green LED (OFF)																	
<table border="0"> <tr> <th colspan="3">Battery 1 Status</th> <th colspan="2">Battery 2 Status</th> </tr> <tr> <td>Power</td> <td>Charging</td> <td>Ready</td> <td>Charging</td> <td>Ready</td> </tr> <tr> <td></td> <td></td> <td></td> <td></td> <td></td> </tr> <tr> <td>Green LED (ON)</td> <td>Red LED (OFF)</td> <td>Green LED (ON)</td> <td>Red LED (OFF)</td> <td>Green LED (ON)</td> </tr> </table>	Battery 1 Status			Battery 2 Status		Power	Charging	Ready	Charging	Ready						Green LED (ON)	Red LED (OFF)	Green LED (ON)	Red LED (OFF)	Green LED (ON)	<p>This display indicates that power is on and that both outputs are finished charging and are in a float maintenance mode.</p>
Battery 1 Status			Battery 2 Status																		
Power	Charging	Ready	Charging	Ready																	
Green LED (ON)	Red LED (OFF)	Green LED (ON)	Red LED (OFF)	Green LED (ON)																	
<table border="0"> <tr> <th colspan="3">Battery 1 Status</th> <th colspan="2">Battery 2 Status</th> </tr> <tr> <td>Power</td> <td>Charging</td> <td>Ready</td> <td>Charging</td> <td>Ready</td> </tr> <tr> <td></td> <td></td> <td></td> <td></td> <td></td> </tr> <tr> <td>Green LED (ON)</td> <td>Red LED (FLASHING)</td> <td>Green LED (ON)</td> <td>Red LED (FLASHING)</td> <td>Green LED (ON)</td> </tr> </table>	Battery 1 Status			Battery 2 Status		Power	Charging	Ready	Charging	Ready						Green LED (ON)	Red LED (FLASHING)	Green LED (ON)	Red LED (FLASHING)	Green LED (ON)	<p>A flashing red light indicates there is a problem with a battery, such as low voltage or a bad cell.</p>
Battery 1 Status			Battery 2 Status																		
Power	Charging	Ready	Charging	Ready																	
Green LED (ON)	Red LED (FLASHING)	Green LED (ON)	Red LED (FLASHING)	Green LED (ON)																	

SECTION 6 | PRE-START INSPECTION

6.1 | PRE-START INSPECTION CHECKLIST

Pre-start Inspection (Self-Propelled Models)



THIS CHECKLIST MUST BE USED AT THE BEGINNING OF EACH SHIFT OR AFTER EVERY SIX TO EIGHT HOURS OF USE. FAILURE TO DO SO COULD AFFECT THE SAFETY OF THE OPERATOR.

Model: _____ Serial Number: _____

- Keep inspection records up-to-date.
- Record and report all discrepancies to your supervisor.
- A dirty machine cannot be properly inspected.

Y-Yes/Acceptable	N-No/Unacceptable	R-Repaired	N/A - Not equipped with this feature	Y	N	R	N/A
VISUAL INSPECTIONS							
There are no loose or missing parts.				<input type="checkbox"/>	<input type="checkbox"/>	<input type="checkbox"/>	<input type="checkbox"/>
Check that warning and instructional labels are legible and secure. Ensure that load capacity is clearly marked.				<input type="checkbox"/>	<input type="checkbox"/>	<input type="checkbox"/>	<input type="checkbox"/>
Check the platform rails and safety gate for damage.				<input type="checkbox"/>	<input type="checkbox"/>	<input type="checkbox"/>	<input type="checkbox"/>
Platform and base controls are not missing, damaged, or disconnected.				<input type="checkbox"/>	<input type="checkbox"/>	<input type="checkbox"/>	<input type="checkbox"/>
Electrical cables and wires are not torn, frayed, or disconnected.				<input type="checkbox"/>	<input type="checkbox"/>	<input type="checkbox"/>	<input type="checkbox"/>
Hydraulic hoses are not torn or loose, and there are no leaks. Hoses and the cables have no worn areas or chafing.				<input type="checkbox"/>	<input type="checkbox"/>	<input type="checkbox"/>	<input type="checkbox"/>
Check the tires for damage. Check that wheel axle retaining rings and any set screw(s) in rear wheel are tight.				<input type="checkbox"/>	<input type="checkbox"/>	<input type="checkbox"/>	<input type="checkbox"/>
Check that all snap rings are secure in grooves on pivot pins.				<input type="checkbox"/>	<input type="checkbox"/>	<input type="checkbox"/>	<input type="checkbox"/>
FUNCTIONAL TESTS							
Gate closes automatically and latches.				<input type="checkbox"/>	<input type="checkbox"/>	<input type="checkbox"/>	<input type="checkbox"/>
Platform Controls: Check all switches and push buttons for proper operation.							
Emergency Stop (Stops all movement)				<input type="checkbox"/>	<input type="checkbox"/>	<input type="checkbox"/>	<input type="checkbox"/>
For Actuator-Steered models: Enable Switch (Does not elevate unless enable is pressed)				<input type="checkbox"/>	<input type="checkbox"/>	<input type="checkbox"/>	<input type="checkbox"/>
For Counter-Rotate Steering models: Drive & Up/Down Mode Switch (Selects drive/steer or elevate mode)				<input type="checkbox"/>	<input type="checkbox"/>	<input type="checkbox"/>	<input type="checkbox"/>
Joystick (Return to neutral, drives forward & reverse)				<input type="checkbox"/>	<input type="checkbox"/>	<input type="checkbox"/>	<input type="checkbox"/>
Enable Trigger (Must be activated for joystick-operated movement)				<input type="checkbox"/>	<input type="checkbox"/>	<input type="checkbox"/>	<input type="checkbox"/>
For Actuator-Steered models: Thumb rocker steers right & left				<input type="checkbox"/>	<input type="checkbox"/>	<input type="checkbox"/>	<input type="checkbox"/>
For Counter-Rotate Steering models: Elevates & lowers				<input type="checkbox"/>	<input type="checkbox"/>	<input type="checkbox"/>	<input type="checkbox"/>
If so equipped, horn sounds when button is pressed.				<input type="checkbox"/>	<input type="checkbox"/>	<input type="checkbox"/>	<input type="checkbox"/>
Base Controls: Check all switches and push buttons for proper operation.							
Emergency Stop (Stops all movement)				<input type="checkbox"/>	<input type="checkbox"/>	<input type="checkbox"/>	<input type="checkbox"/>
For Actuator-Steered models: Key Switch (On or Off)				<input type="checkbox"/>	<input type="checkbox"/>	<input type="checkbox"/>	<input type="checkbox"/>
For Counter-Rotate Steering models: Key Switch (Selects Platform Control, Ground Control, or Off)				<input type="checkbox"/>	<input type="checkbox"/>	<input type="checkbox"/>	<input type="checkbox"/>
Up/Down Rocker Switch (Elevates, Lowers)				<input type="checkbox"/>	<input type="checkbox"/>	<input type="checkbox"/>	<input type="checkbox"/>
Descent Alarm (Not damaged, sounds for descent; may also sound for drive & elevate, if so equipped)				<input type="checkbox"/>	<input type="checkbox"/>	<input type="checkbox"/>	<input type="checkbox"/>
Tilt Alarm (Not damaged, sounds when tilted and machine elevated above designated height)				<input type="checkbox"/>	<input type="checkbox"/>	<input type="checkbox"/>	<input type="checkbox"/>
If so equipped, elevating beyond this height may also be prevented.				<input type="checkbox"/>	<input type="checkbox"/>	<input type="checkbox"/>	<input type="checkbox"/>
Master Power Switch disconnects battery				<input type="checkbox"/>	<input type="checkbox"/>	<input type="checkbox"/>	<input type="checkbox"/>
Wheels: Front and rear wheels rotate freely.				<input type="checkbox"/>	<input type="checkbox"/>	<input type="checkbox"/>	<input type="checkbox"/>
For Counter-Rotate Steering models: Front wheels pivot freely.				<input type="checkbox"/>	<input type="checkbox"/>	<input type="checkbox"/>	<input type="checkbox"/>
Drives in slow speed when elevated.				<input type="checkbox"/>	<input type="checkbox"/>	<input type="checkbox"/>	<input type="checkbox"/>
Brakes: Machine stops when joystick released.				<input type="checkbox"/>	<input type="checkbox"/>	<input type="checkbox"/>	<input type="checkbox"/>
Pothole guards deploy and lock when platform is elevated.				<input type="checkbox"/>	<input type="checkbox"/>	<input type="checkbox"/>	<input type="checkbox"/>
Lift does not elevate when pothole guards are blocked.				<input type="checkbox"/>	<input type="checkbox"/>	<input type="checkbox"/>	<input type="checkbox"/>

Date: _____ Inspected by: _____

THIS PAGE WAS INTENTIONALLY LEFT BLANK

HY-BRID LIFTS™

BY CUSTOM EQUIPMENT LLC

Self-Propelled Aerial Work Platform
Operation & Safety Manual
HB-1030/HB-1430

© 2019 Custom Equipment, LLC
2647 Highway 175
Richfield, WI 53076
U.S.A.
Tel. + 262-644-1300
Fax. + 262-644-1320
www.hybridlifts.com
service@customequipmentlifts.com

"Hy-Brid Lifts" is a trademark of Custom Equipment, LLC.
These machines comply with ANSI/SIA A92.6 and CSA B354.2-01

Revision Date: March 2019

Printed in the U.S.A.